

STATE OF ILLINOIS
DEPARTMENT OF TRANSPORTATION

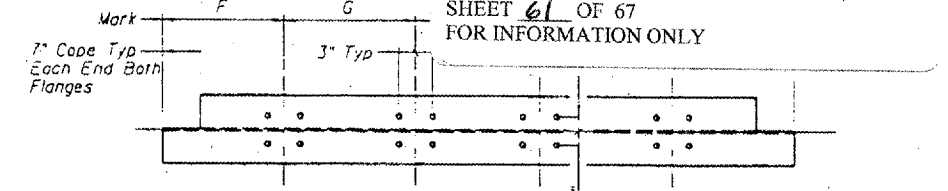
CONTRACT: 78040
ROUTE: F.A.I. 57
SECTION: (02-1B-1)P-1
COUNTY: ALEXANDER, IL; MISSISSIPPI, MO
SHEET 61 OF 67
FOR INFORMATION ONLY

FRONT STOOL SUPPORT SPAN 9A

Mcrr	A	B	C	D	E	No. Req'd
SA1	1'-10 ¹ / ₂ "	2'-0"	1'-10"	2'-0"	1'-10 ¹ / ₆ "	2
SA2	1'-10 ¹ / ₂ "	1'-10"	1'-10"	1'-10"	2'-2 ¹ / ₆ "	1
SA3	2'-2 ¹ / ₆ "	1'-10"	1'-10"	1'-10"	1'-10 ¹ / ₆ "	1
SA4	1'-10 ¹ / ₂ "	2'-0"	1'-10"	2'-0"	1'-10 ¹ / ₆ "	2

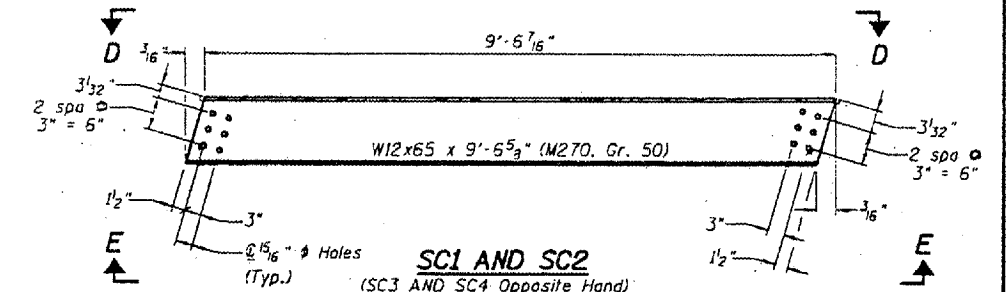
FRONT STOOL SUPPORT SPAN 15

Mark	F	G	H	J	K	No. Req'd
SC1	1'-10 ³ / ₃₂ "	2'-0"	1'-10"	2'-0"	1'-10 ³ / ₃₂ "	2
SC2	1'-10 ¹ / ₄ "	1'-10"	1'-10"	1'-10"	2'-2 ³ / ₁₆ "	1
SC3	2'-2 ³ / ₁₆ "	1'-10"	1'-10"	1'-10"	1'-10 ¹ / ₄ "	1
SC4	1'-10 ³ / ₃₂ "	2'-0"	1'-10"	2'-0"	1'-10 ³ / ₃₂ "	2



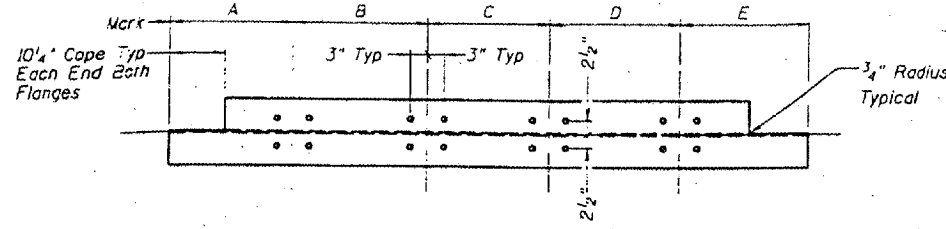
VIEW D-D

(No opposite hand required)



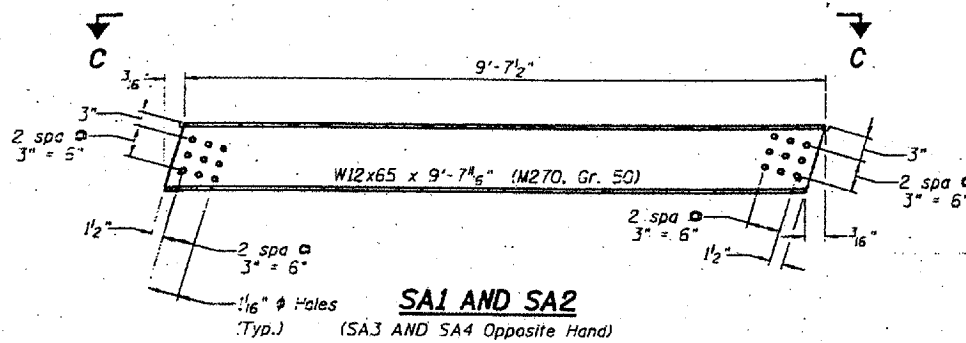
VIEW E-E

(No opposite hand required)



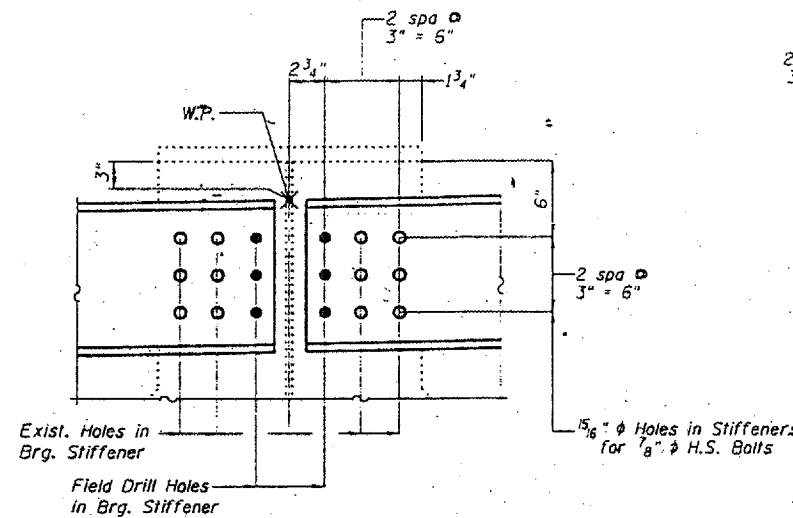
VIEW C-C

(No opposite hand required)

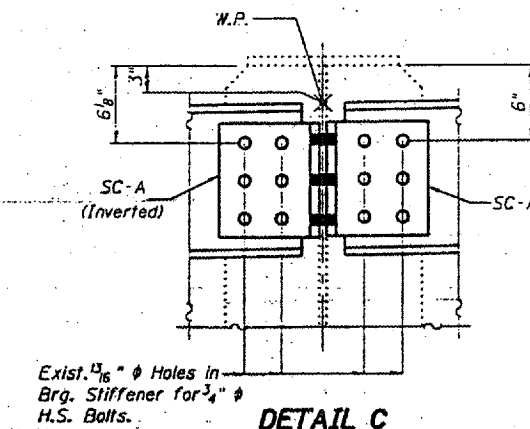


SA1 AND SA2

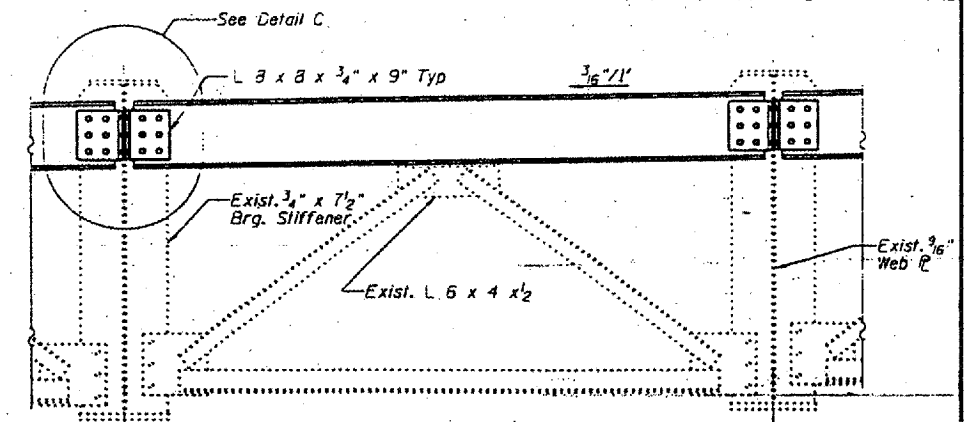
(SA3 AND SA4 Opposite Hand)



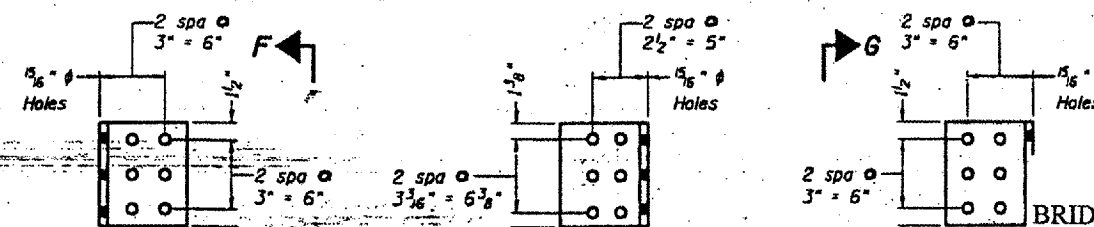
DETAIL B



DETAIL C



FRONT STOOL SUPPORT - SPAN 9A



SC-A
(6 Req'd)

VIEW F-F
View G-G Opposite Hand

SC-B
(6 Req'd)

FRONT STOOL SUPPORT - SPAN 15

BRIDGE NO. 1
STRUCTURE NO. 002-0022
FOR INFORMATION ONLY

STOOL SUPPORT DETAILS
F.A.I. 57 OVER MISSISSIPPI RIVER
ALEXANDER COUNTY
S.N. 002-0022

DESIGNED	P.S.J.
CHECKED	A.T.H.
DRAWN	Draw Christopher
CHECKED	A.T.H. P.S...

EXAMINED *John A. Morris*
ENGINEER OF STRUCTURAL SERVICES
PREPARED
ENGINEER OF BRIDGES AND STRUCTURES