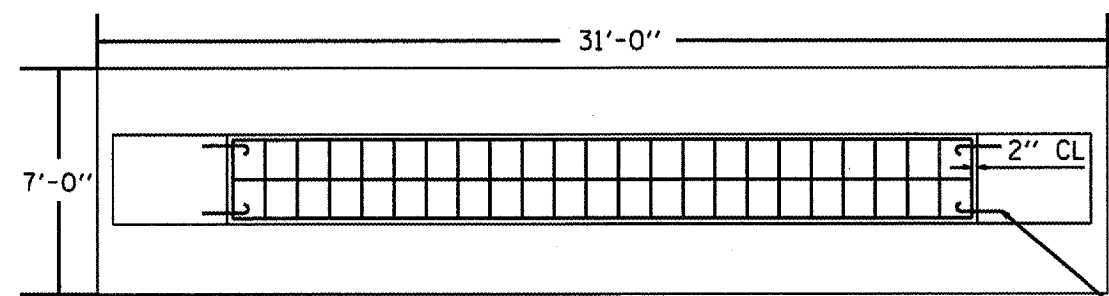
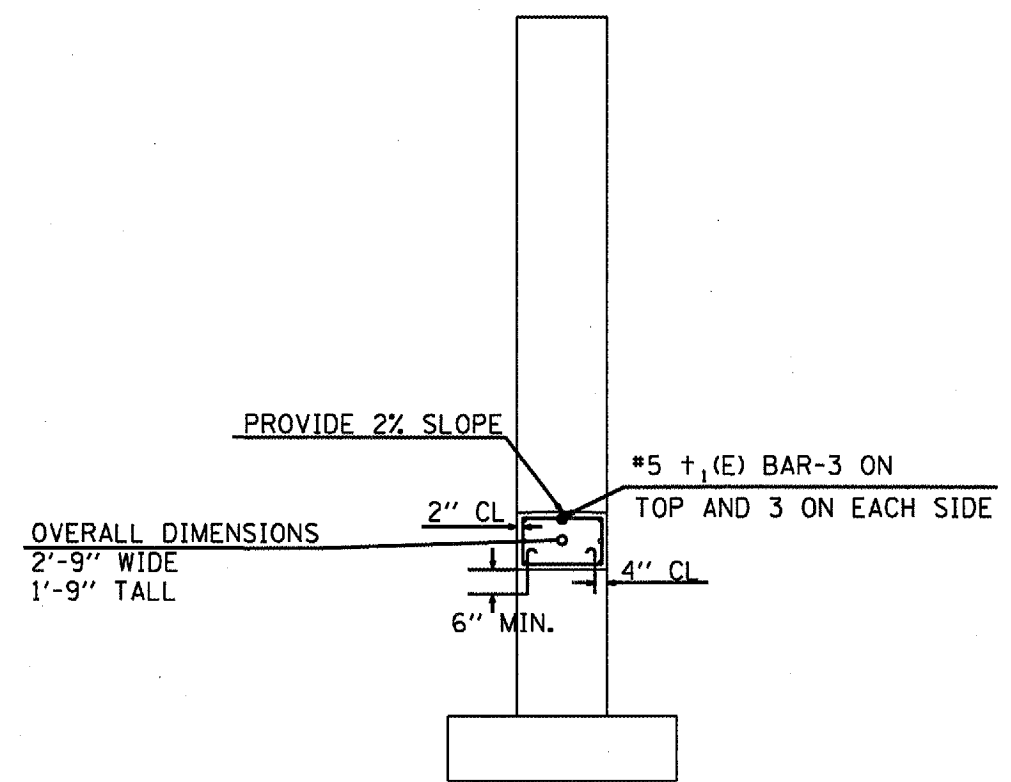
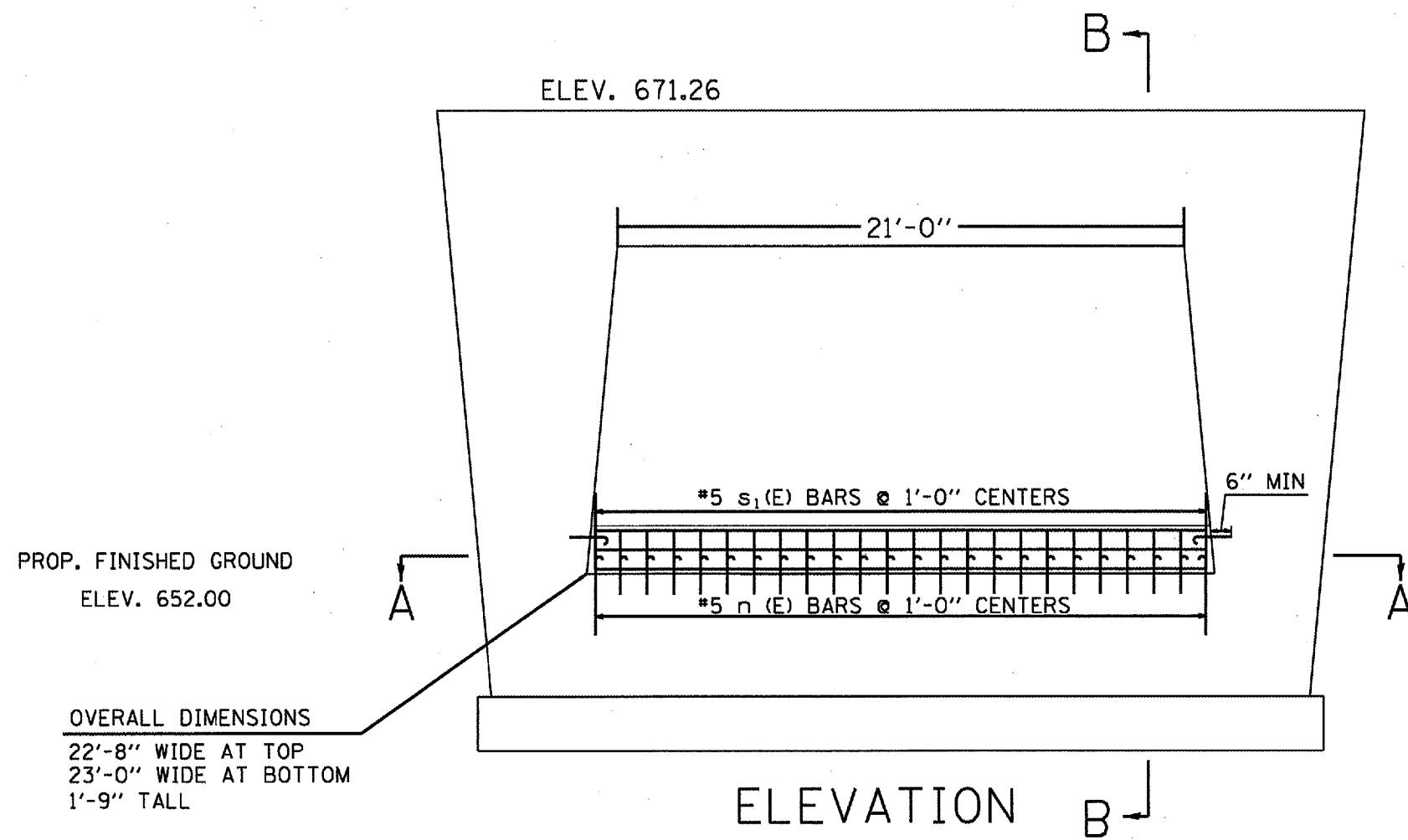


F.A. RTE.	SECTION	COUNTY	TOTAL SHEETS	SHEET NO.
VAR.	VARIOUS	ILLINOIS	17	14
STA.		TO STA.		
FED. ROAD DIST. NO.		ILLINOIS FED. AID PROJECT		

D-9 SAFETY FY 08-2

# DETAIL OF PIER IMPROVEMENTS AT SN 044-0033



#5 n(E) BARS 2 EACH  
IN EACH VERTICAL FACE

## BILL OF MATERIALS

BAR	NO.	SIZE	LENGTH	SHAPE
t <sub>1</sub>	7	#5	22'-5"	—
n	52	#5	1'-5"	⊏
s <sub>1</sub>	24	#5	8'-10"	⊏
CONCRETE STRUCTURES				4.1 CU. YD.
REINFORCEMENT BARS, EPOXY COATED				462 LBS.

NOTE: ALL n(E) BARS SHALL BE EPOXY GROUTED INTO THE COLUMN AS PER ARTICLE 584 OF THE STANDARD SPECS. AT A MINIMUM DEPTH OF 6"