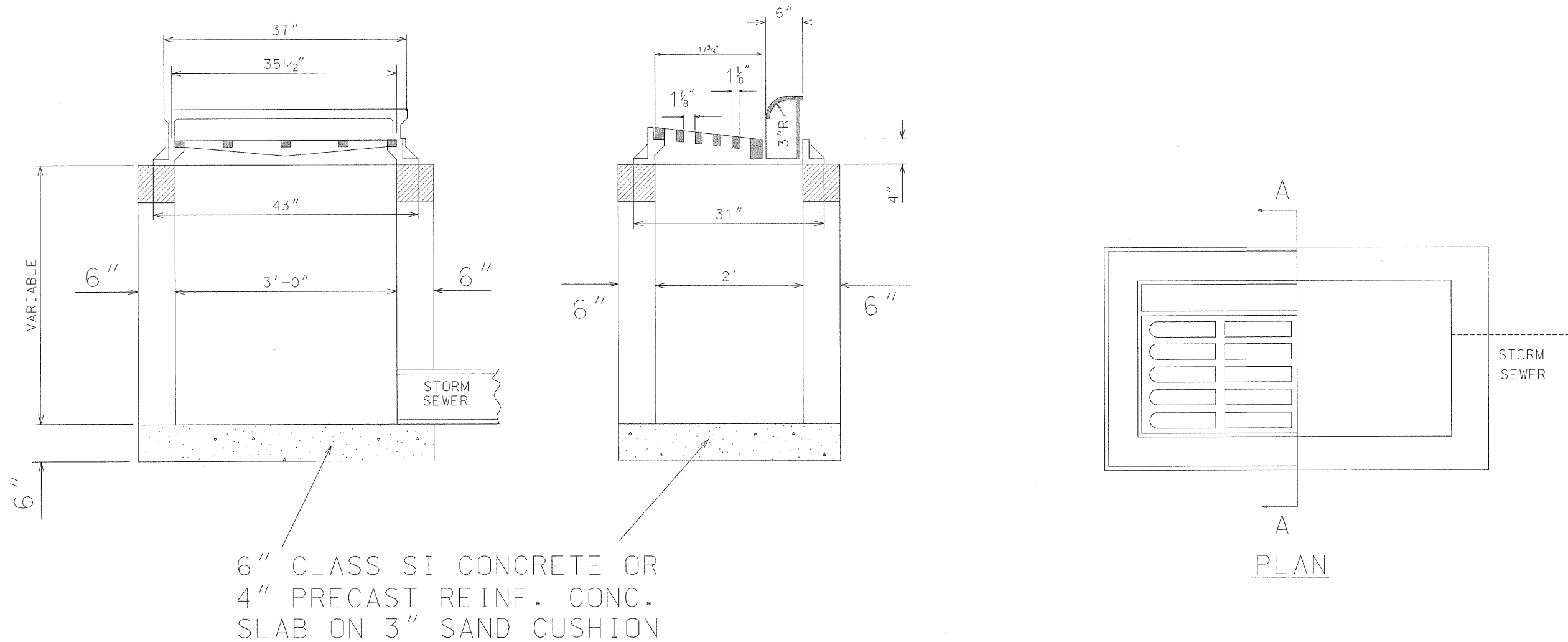


F.A. RTE.	SECTION	COUNTY	TOTAL SHEETS	SHEET NO.
5482	07-00171-00-FP	LEE	25	24
CONTRACT NO.			85429	
FED. ROAD DIST. NO. ILLINOIS FED. AID PROJECT				

# INLETS, SPECIAL



LONGITUDINAL SECTION

SECTION A-A

PLAN

**NOTES:**

THE INLET SHALL BE CAST IN PLACE OR PRECAST, EXCEPT AS NOTED HERE, ON INLET SPECIAL SHALL BE CONSTRUCTED IN ACCORDANCE WITH SECTION 602 OF THE STANDARD SPECIFICATIONS. THE CONTRACT UNIT PRICE EACH FOR INLETS, SPECIAL SHALL INCLUDE THE COST OF FURNISHING AND INSTALLING THE INLET WITH SAND CUSHION IF REQUIRED. CLASS SI CONCRETE OR PRECAST CONCRETE SHALL BE USED THROUGHOUT. THE SIDEWALLS MAY BE BUILT AS PRECAST SEGMENTAL SECTIONS. THE HEIGHT OF THE BOX MAY BE CONSTRUCTED 6" SHORT TO ALLOW FOR FIELD ADJUSTMENTS. THE WALL ADJUSTMENTS SHALL BE MADE WITH CONCRETE BUILDING BRICK OR CLASS SI CONCRETE. FRAME AND GRATE TO WEIGHT APPROXIMATELY 525 LBS. (NEENAH R-3246 W/TYPE C GRATE OR EQUAL)

INLETS, SPECIAL

STANDARD: WHA 630



809 East Second Street Dixon, Illinois 61021  
Phone 815.284.3381 Fax 815.284.3385  
Design Firm #184-000918  
www.willetthofmann.com