

ROUTE NO.	SECTION	COUNTY	TOTAL SHEETS	SHEET NO.
T.R. 150	06-03122-00-BR	IROQUOIS	20	2
ASHKUM ROAD DIST.		ILLINOIS	BROS-075(133)	

CONTRACT NO. 87362

SUMMARY OF QUANTITIES

NUMBER	ITEM	UNIT	TOTAL QUANTITY	CONSTRUCTION TYPE CODE X080-2A
20200100	EARTH EXCAVATION	CU YD	472	
20300100	CHANNEL EXCAVATION	CU YD	666	
20400800	FURNISHED EXCAVATION	CU YD	828	
* 25001000	SEEDING, CLASS 2 (SPECIAL)	ACRE	0.8	
28000250	TEMPORARY EROSION CONTROL SEEDING	POUND	80	
28000300	TEMPORARY DITCH CHECKS	EACH	3	
28000400	PERIMETER EROSION BARRIER	FOOT	600	
28100209	STONE RIPRAP, CLASS A5	TON	890	
28200200	FILTER FABRIC	SQ YD	740	
* 40200800	AGGREGATE SURFACE COURSE, TYPE B	TON	1,297	
50100100	REMOVAL OF EXISTING STRUCTURES	EACH	1	
50300225	CONCRETE STRUCTURES	CU YD	50.3	
50300280	CONCRETE ENCASEMENT	CU YD	26.0	
* 50400305	PRECAST PRESTRESSED CONCRETE DECK BEAMS (17" DEPTH)	SQ FT	3,360	
50800105	REINFORCEMENT BARS	POUND	5,290	
50900205	STEEL RAILING, TYPE S1	FOOT	225	
51201005	FURNISHING METAL SHELL PILES 12"	FOOT	972	
51202305	DRIVING PILES	FOOT	972	
51203200	TEST PILE METAL SHELLS	EACH	2	
51500100	NAME PLATES	EACH	1	
* 54200649	PIPE CULVERTS, TYPE 1, CORRUGATED STEEL OR ALUMINUM CULVERT PIPE 24"	FOOT	126	
54205911	PIPE CULVERTS, TYPE 1, CORRUGATED STEEL, EQUIVALENT ROUND-SIZE 36"	FOOT	84	
54215151	STEEL END SECTIONS, EQUIVALENT ROUND-SIZE 36"	EACH	1	
55080020	STORM SEWERS, CLASS B, TYPE 1 6"	FOOT	52	
60103400	PIPE DRAINS, CORRUGATED STEEL 10"	FOOT	12	
67100100	MOBILIZATION	L SUM	1	
* 70101830	TRAFFIC CONTROL AND PROTECTION, STANDARD BLR 21	L SUM	1	
78201000	TERMINAL MARKER - DIRECT APPLIED	EACH	4	
* X5020501	UNDERWATER STRUCTURE EXCAVATION PROTECTION - LOCATION 1	EACH	1	
* X5020502	UNDERWATER STRUCTURE EXCAVATION PROTECTION - LOCATION 2	EACH	1	

*SEE SPECIAL PROVISIONS

GENERAL NOTES

WHERE SECTION OR SUBSECTION MONUMENTS ARE ENCOUNTERED, THE ENGINEER SHALL BE NOTIFIED BEFORE SUCH MONUMENTS ARE REMOVED. THE CONTRACTOR SHALL PROTECT AND CAREFULLY PRESERVE ALL PROPERTY MARKS AND MONUMENTS UNTIL THE OWNER, AND AUTHORIZED SURVEYOR OR AGENT HAS WITNESSED OR OTHERWISE REFERENCED THEIR LOCATION.

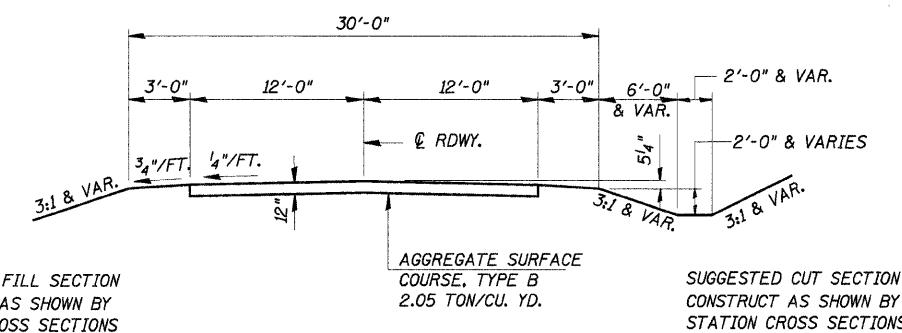
THE AREA TO BE SEEDED SHALL CONSIST OF ALL DISTURBED EARTH SURFACES WITHIN THE RIGHT OF WAY, AS DIRECTED BY THE ENGINEER.

SEEDING, CLASS 2 (SPECIAL) = 0.8 ACRE

TEMPORARY EROSION CONTROL

THE FOLLOWING QUANTITIES ARE ESTIMATE ONLY. ACTUAL QUANTITIES FOR EROSION CONTROL WILL BE DETERMINED BY THE ENGINEER IN THE FIELD AND THERE WILL BE NO ADJUSTMENT IN ANY PRICE DUE TO A CHANGE IN PLAN QUANTITY.

PERIMETER EROSION BARRIER = 600 FOOT
 TEMPORARY EROSION CONTROL SEEDINGS = 80 POUND
 TEMPORARY DITCH CHECKS = 3 EACH

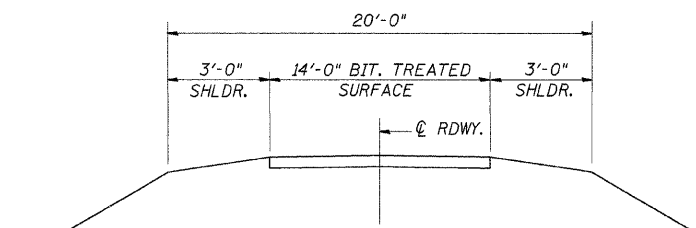


TYPICAL PROPOSED CROSS SECTION

STA. 12+00 TO STA. 18+00

ROAD CLASSIFICATION: LOCAL ROAD ADT 0-250
 CURRENT ADT LESS THAN 150

TRANSITION FROM EXISTING ROADWAY TO PROPOSED ROADWAY
 TO BE CONSTRUCTED FROM STA. 11+00 TO STA. 12+00 AND
 FROM STA. 18+00 TO STA. 19+00.



EXISTING TYPICAL CROSS SECTION

SUMMARY OF QUANTITIES, GENERAL NOTES AND TYPICAL CROSS SECTION

SECTION 06-03122-00-BR
 ASHKUM ROAD DISTRICT
 IROQUOIS COUNTY
 STATION 15+00

4440 ASH GROVE
 SPRINGFIELD, IL 62711
 (217) 793-8600
 www.fehr-graham.com

FEHR-GRAHAM & ASSOCIATES, LLC
 ENGINEERING AND SCIENCE CONSULTANTS
 PREPARED BY: ROBERT E. ROSSIGNOL & KENNETH W. SPRINGFIELD

DRAWN: S.A.P.
 DATE: 6/22/07

CHECKED: G.J.C.
 DATE: AUG./07

JOB NO.: 46864
 FILE: 0228SUMTYP.DGN
 DATE: 11/08/07