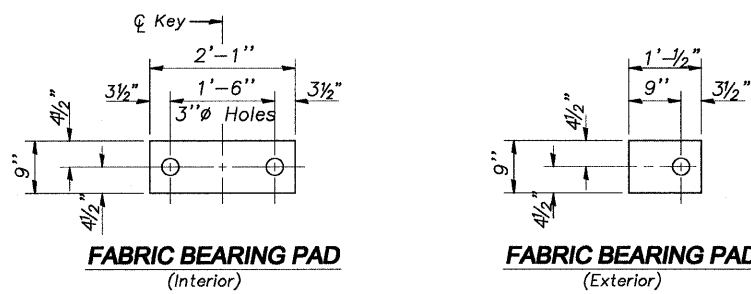


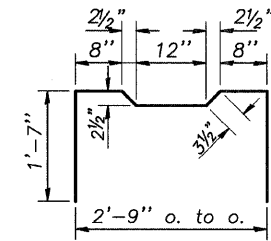
STATE OF ILLINOIS  
DEPARTMENT OF TRANSPORTATION

ROUTE NO.	SECTION	COUNTY	TOTAL SHEETS	SHEET NO.
F.A.S. 214	*	MERCER	16	8
FED. ROAD DIST. NO. 7 ILLINOIS			89387	

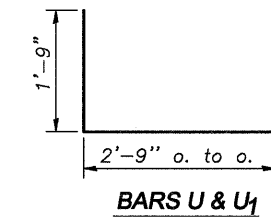
\* 05-00023-02-BR



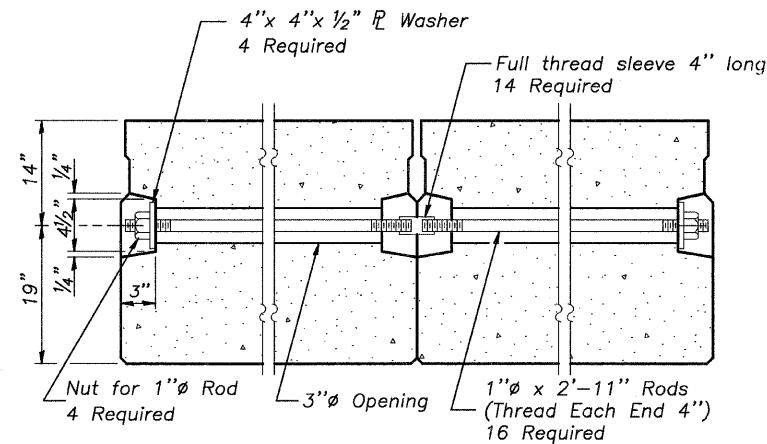
1/2" FABRIC BEARING PAD DETAILS  
(FIXED)



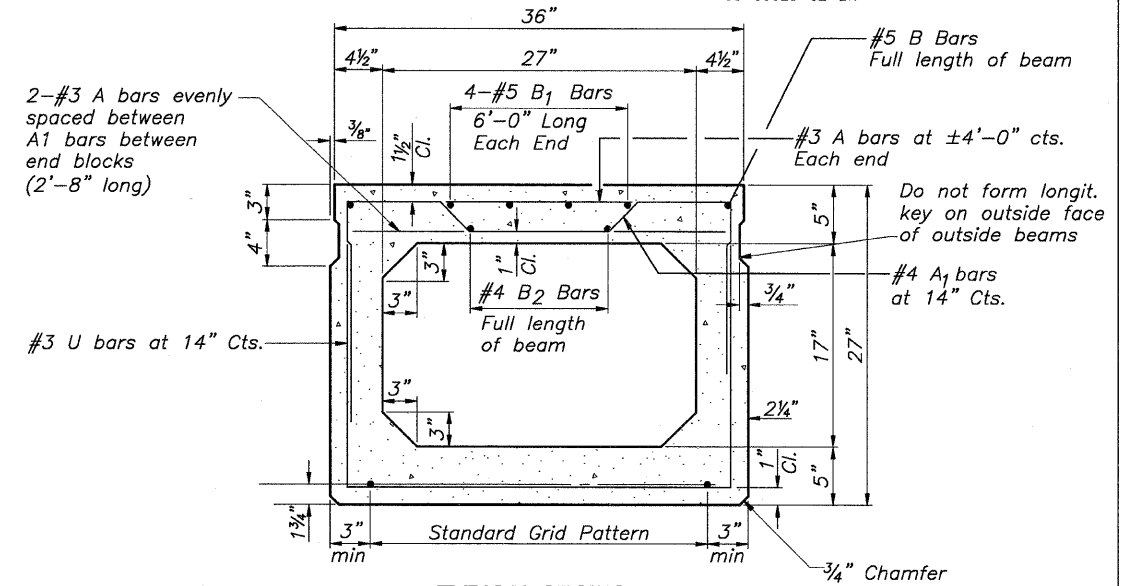
BAR A1



BARS U & U1



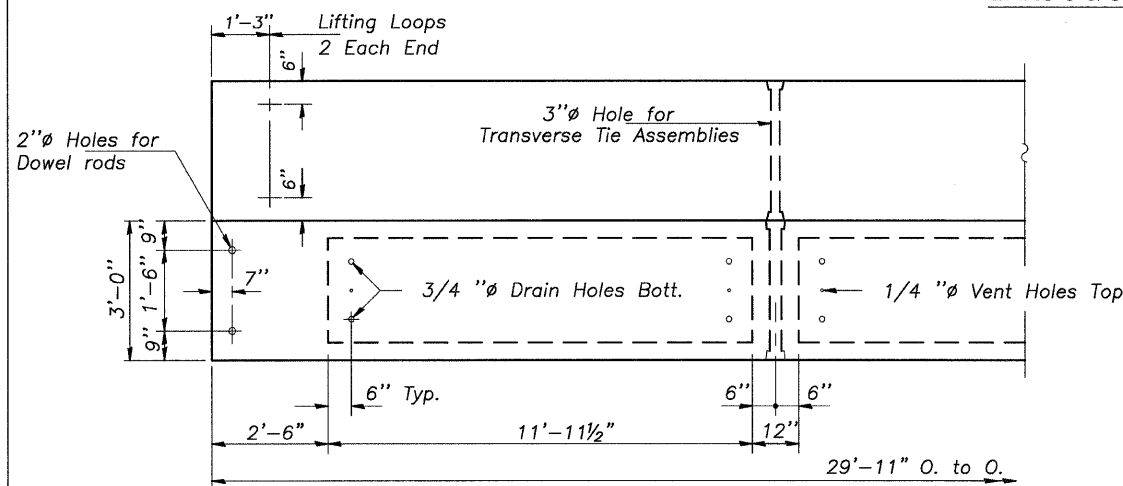
TYPICAL TRANSVERSE TIE ASSEMBLY



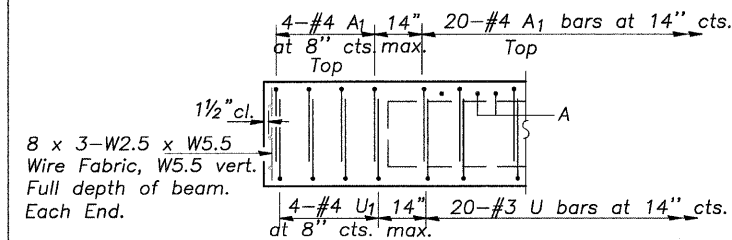
TYPICAL SECTION

1/2"  $\phi$  Strands each Strand Stressed to 30,900 Lbs  
6 Strands 1 3/4" up

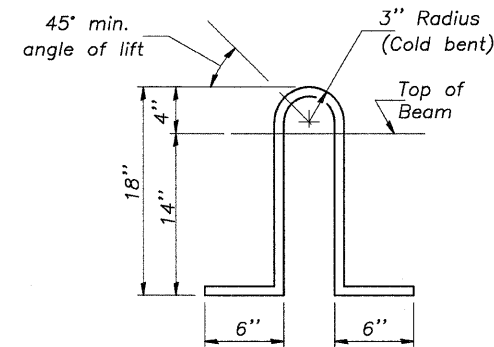
Note: Place strands symmetrically about  $\phi$  of beam



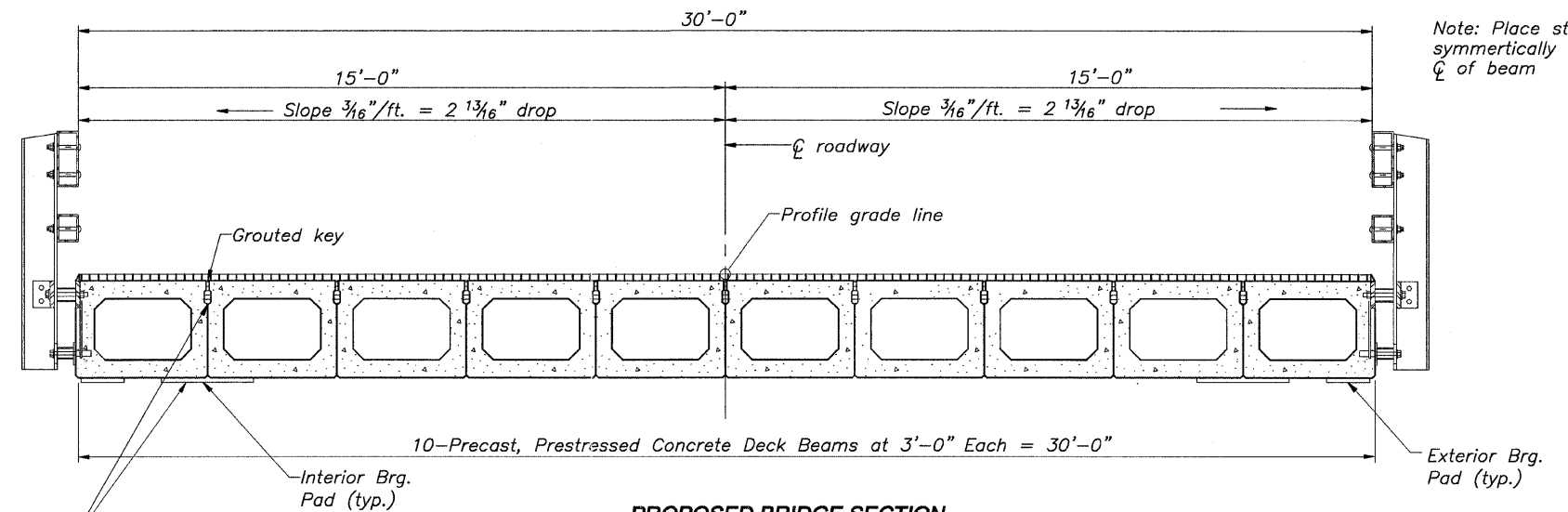
PLAN



END ELEVATION



LIFTING LOOP DETAIL



PROPOSED BRIDGE SECTION

NTS

After beams have been erected, holes shall be drilled into substructure and anchor dowels placed. Dowel holes shall be filled with non-shrink grout to top of beams and allowed to cure min. 24 hours prior to grouting the shear keys.

NOTES

Prestressing steel shall be uncoated high strength, low-relaxation 7-wire strand, Grade 270. The nominal diameter shall be 1/2" and the nominal cross-sectional area shall be 0.153 sq. in. Lifting loops shall be 2 - 1/2"  $\phi$  -270 ksi strands, as shown. The 1"  $\phi$  rods in the transverse tie assembly shall be tightened to a snug fit and the threads set. Pockets that receive transverse tie bar on outside shall be filled with grout after transverse tie assembly is in place. Non Prestressing steel shall conform to ASTM A706 (IL MOD). Grade 60. The bearing seat surfaces shall be adjusted by shimming to assure firm and even bearing. Two 1/8" fabric adjusting shims of the dimensions of the Exterior Bearing Pad shall be provided for each bearing. Keyway surfaces shall be cleaned to remove form oil or other bond breaking material prior to shipment of the beams. Cleaning shall be done by sandblasting the keyway areas between top of the beam and the bottom edge of the key. Corrosion Inhibitor, per Article 1020.05(b)(12) of the Standard Specifications, shall be used in the concrete for precast prestressed concrete deck beams. Required Release Strength,  $f'_{ci}$ , shall be 4,000 p.s.i.

BILL OF MATERIAL

(2-Spans)

29'-6" Span

Bar	No.	Size	Length	Shape
A	840	#3	2'-8"	—
A1	560	#4	6'-1"	—
B	40	#5	29'-7"	—
B1	160	#5	6'-0"	—
B2	40	#4	29'-7"	—
U	400	#3	6'-3"	—
U1	160	#4	6'-3"	—
Precast Prestressed Conc. Deck Bms.			Sq. Ft.	1,796

29'-6" SPAN

DECK BEAM DETAILS

SECTION 05-00023-02-BR

F.A.S. 214, STA. 70+40

MERCER COUNTY

STRUCTURE NO. 066-3043

DESIGNED	MHM
CHECKED	JBF
DRAWN	RAP
CHECKED	JBF