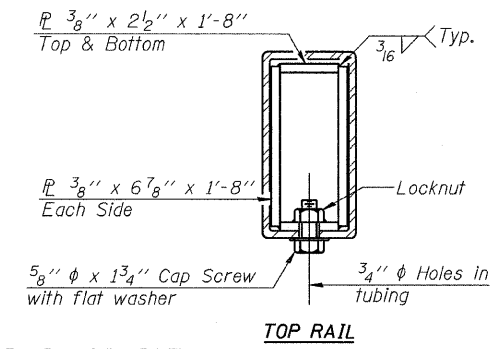
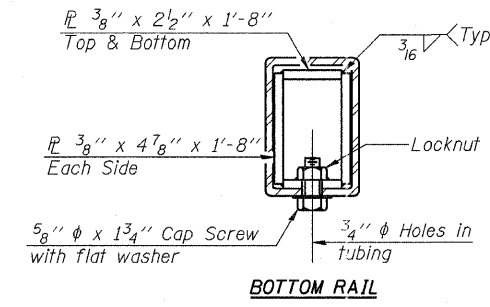
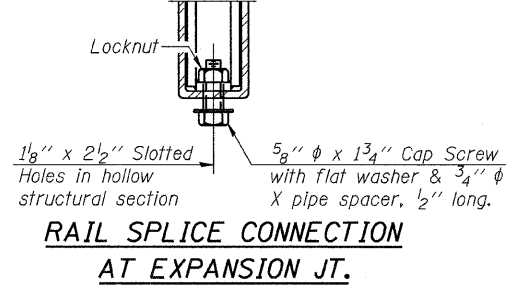
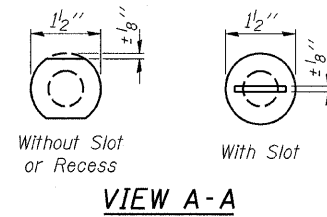
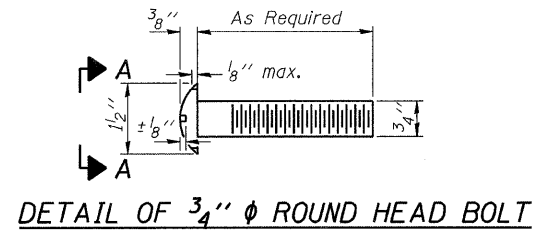
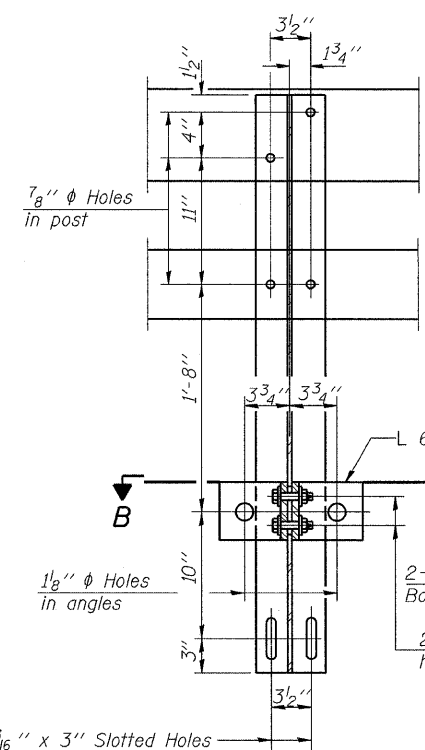


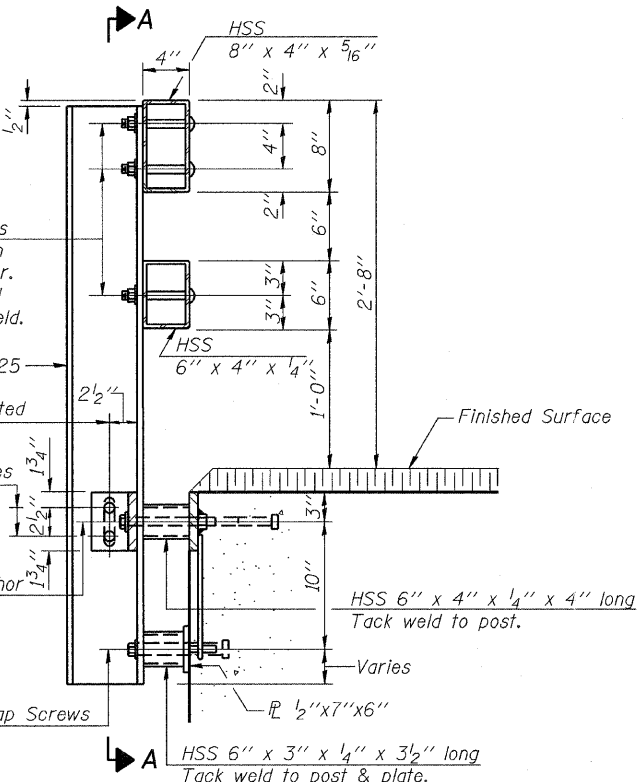
RTE.	SECTION	COUNTY	TOTAL SHEETS	SHEET NO.
F.A.S. 214	05-00023-02-BR	MERCER	16	13
FED. ROAD DIST. NO. 7 ILLINOIS			89387	



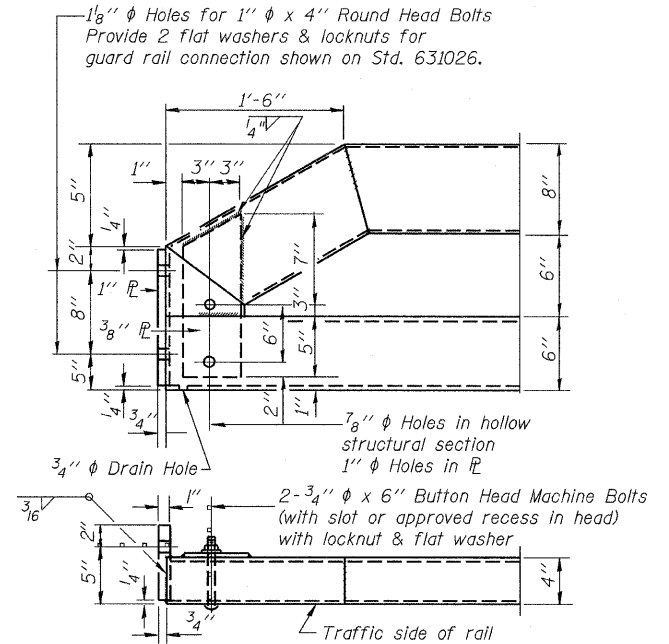
SECTIONS AT RAIL SPLICE



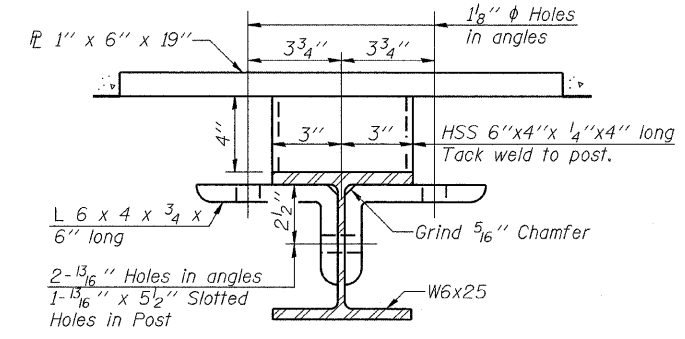
4- 3/4" ϕ x 6" Round Head Bolts (With slot or approved recess in head) with locknut & flat washer. 7/8" ϕ Holes in hollow structural section may be drilled in the field.



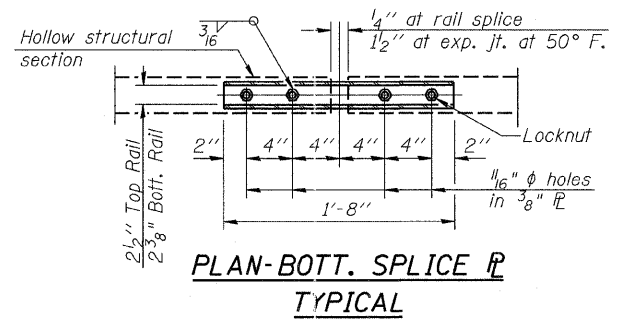
SECTION AT RAIL POST



END OF RAIL DETAILS



SECTION B-B



PLAN-BOTT. SPLICE R TYPICAL

DESIGNED	JBF
CHECKED	JBF
DRAWN	RAP
CHECKED	JBF

**TYPE SM (SPECIAL)
STEEL BRIDGE RAIL SIDE MOUNTED**

SECTION 05-00023-02-BR
F.A.S. 214, STA. 70+40
MERCER COUNTY
STRUCTURE NO. 066-3043