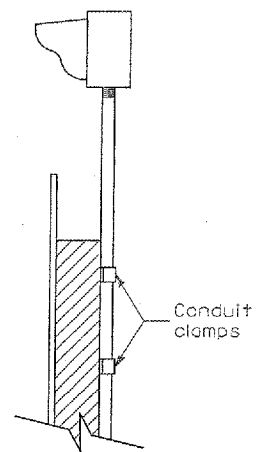
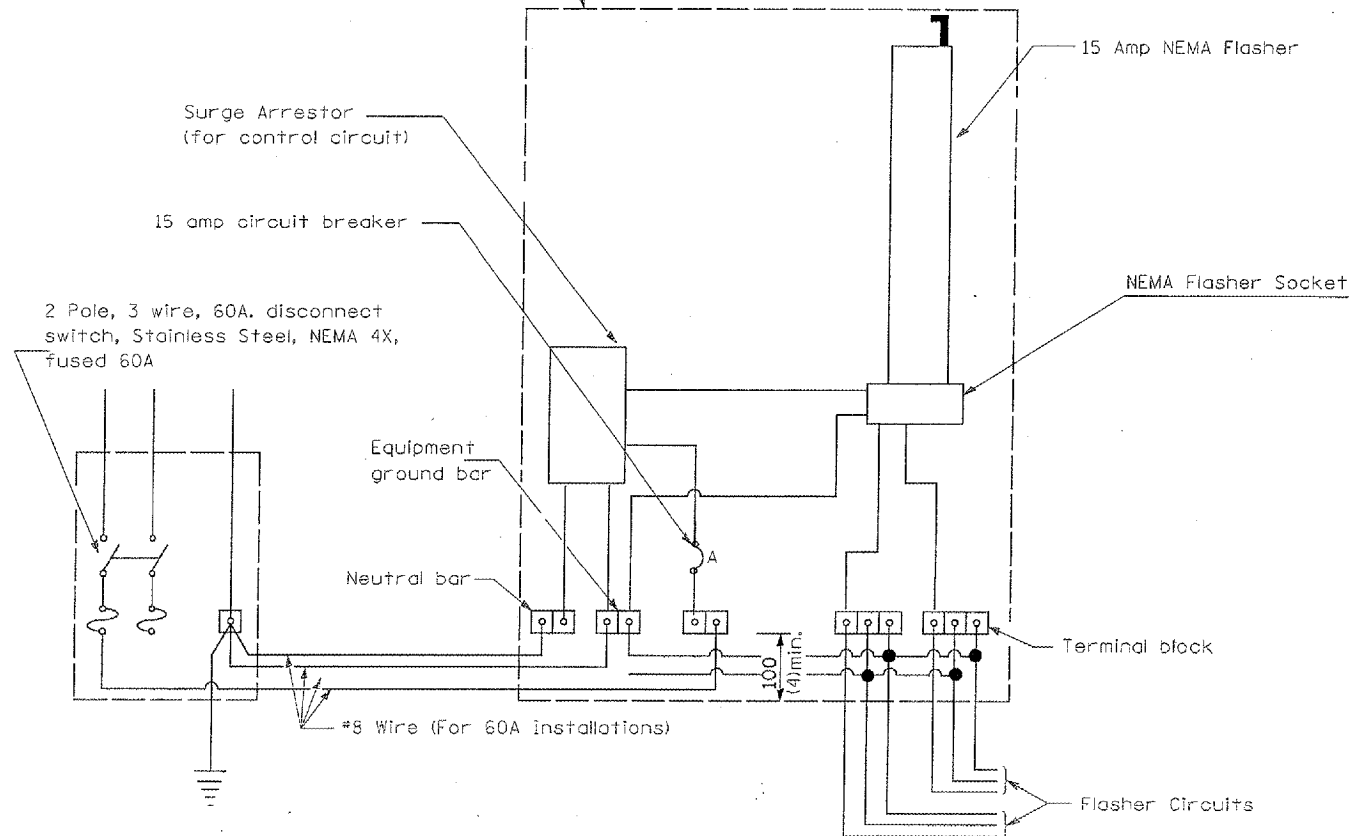


POST MOUNTED FLASHING BEACON



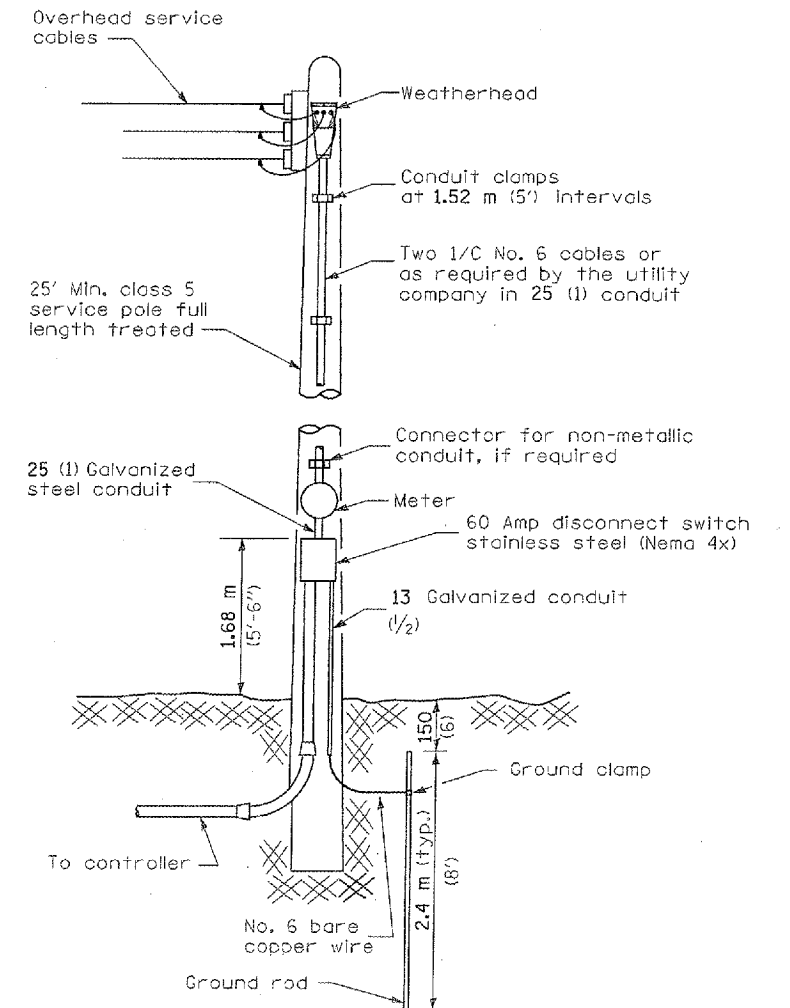
BEACON MOUNTING DETAIL

Cast aluminum cabinet 450h.x300w.x200d. (18" h. x 12" w. x 8" d.). Aluminum door with standard traffic signal lock and key and 400x250x13 (16" x 10" x 1/2") mounting board.

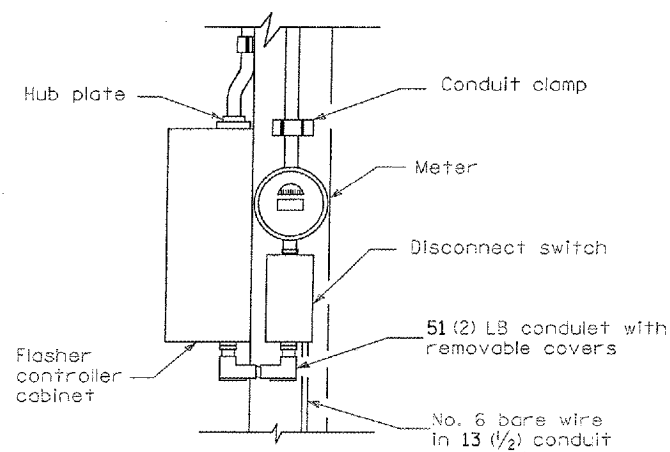


DISCONNECT SWITCH

FLASHER CONTROLLER



SERVICE INSTALLATION, TYPE B



BEACON CONTROL POLE DETAIL

FILE NAME *	USER NAME = B-att22993	DESIGNED - MPB	REVISED -	<b>STATE OF ILLINOIS DEPARTMENT OF TRANSPORTATION</b>	<b>FLASHING BEACON DETAILS</b>			F.A. RTE.	SECTION	COUNTY	TOTAL SHEETS	SHEET NO.
IN:\2\jobs\25022243\Civil\Sheets\E-detail.dgn	PLOT SCALE = 42.0000" / IN.	DRAWN - DLC	REVISED -					464	07-00014-00-SP	TAZEWELL	44	18
	PLOT DATE = 22/10/2008, 09:36 AM	CHECKED -	REVISED -		CONTRACT NO. 89480			H5 1467-104				
		DATE -	REVISED -		SCALE: 1:20	SHEET NO.	OF SHEETS	STA.	TO STA.	FED. ROAD DIST. NO. 7 ILLINOIS FED. AID PROJECT		