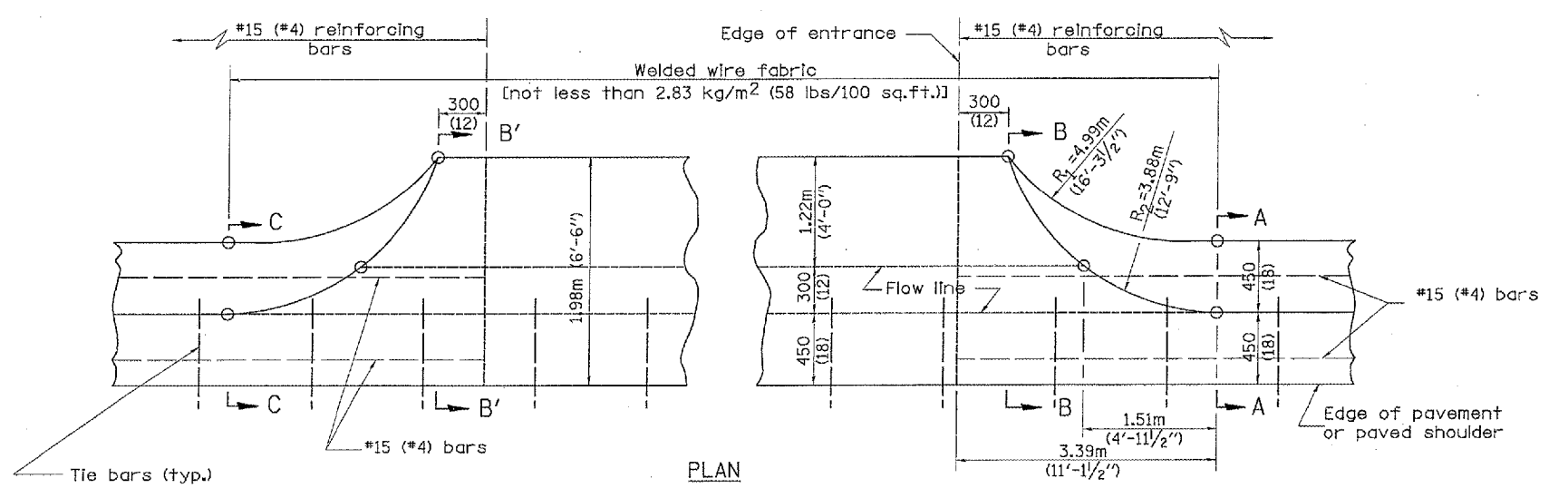
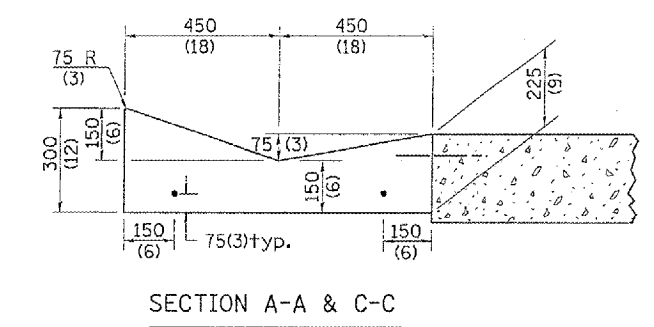


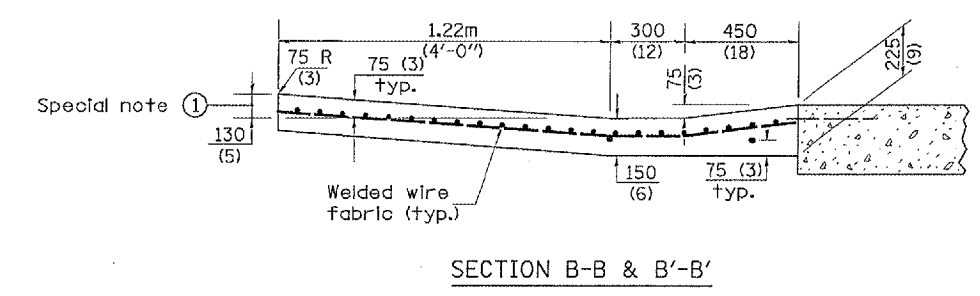
TYPICAL URBAN ENTRANCE

QUANTITY URBAN ENTRANCE	
Section B'-B' to B-B=	m ³ /m (cu. yd./ft.).
Section C-C to B'-B' + B-B to A-A=	m ³ (cu. yd.).



TYPICAL RURAL ENTRANCE

QUANTITY RURAL ENTRANCE	
Section B'-B' to B-B=	m ³ /m (cu. yd./ft.).
Section C-C to B'-B' + B-B to A-A=	m ³ (cu. yd.).



- SPECIAL NOTES:**
- ① Section B-B & B'-B': 125 (5) is the normal dimension. If specified in the plans, the following shall be used for improved entrance match-up: Minimum - 75 (3) Maximum - 225 (9)

QUANTITIES	
CALC. BY: _____	DATE: _____
CHECKED BY: _____	DATE: _____
QUANTITY CALCULATIONS ARE ON FILE AT THE DISTRICT 4 OFFICE; BUREAU OF PROJECT IMPLEMENTATION; DOCUMENTATION SECTION	

ENTRANCE

All dimensions are in millimeters (inches) unless otherwise noted.

ILLINOIS DEPARTMENT OF TRANSPORTATION	
DISTRICT CADD STANDARD	
TYPE A GUTTER, (MODIFIED) (INLET, OUTLET & ENTRANCE)	
CADD STANDARD 606101-D4	SHEET 3 OF 3
SCALE: NOT DRAWN TO SCALE	DRAWN BY CADD
DATE: **DATE**	CHECKED BY: _____