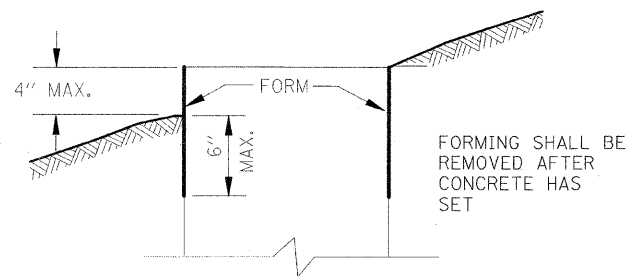
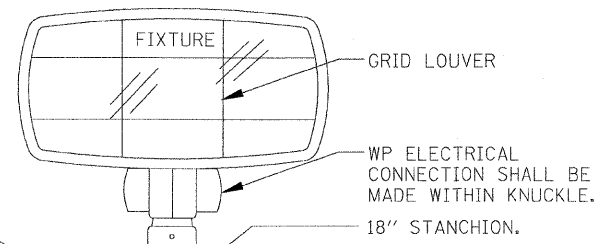


F.A. RTE.	SECTION	COUNTY	TOTAL SHEETS	SHEET NO.
I-57	00-00374-03-LS	CHAMPAIGN	21	18
STA.		TO STA.		
FED. ROAD DIST. NO.	ILLINOIS	FED. AID PROJECT		
CONTRACT NO. 91382				

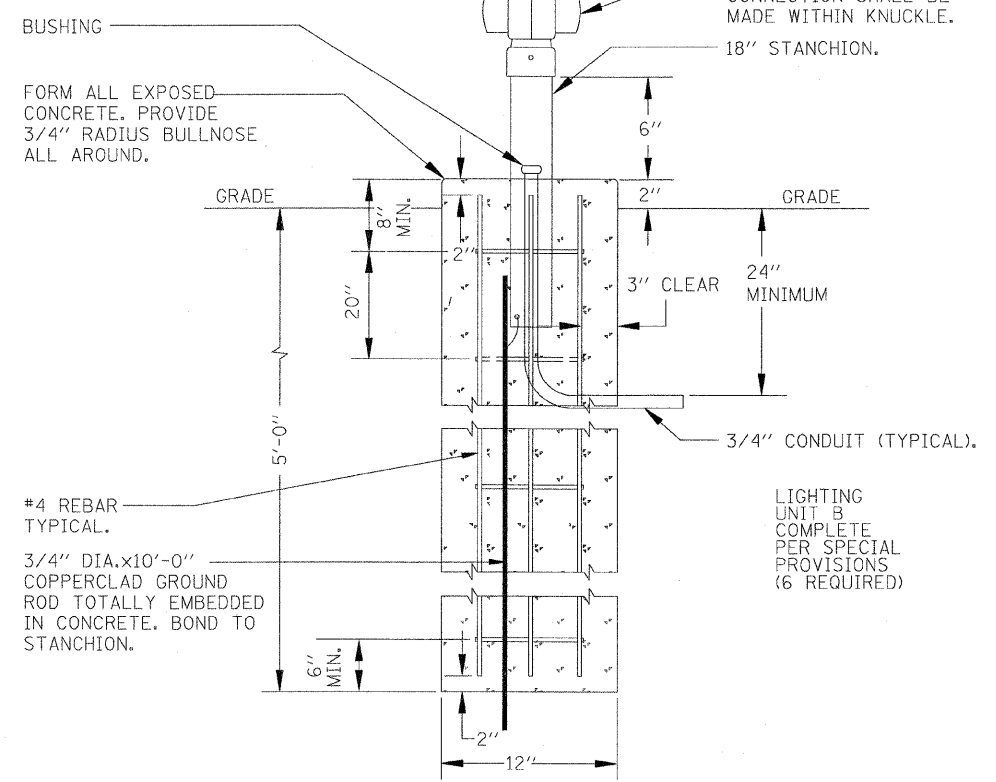
FORM DEPTH SHALL BE NO MORE THAN 6" BELOW GRADE ON THE LOWER SIDE OF BASE



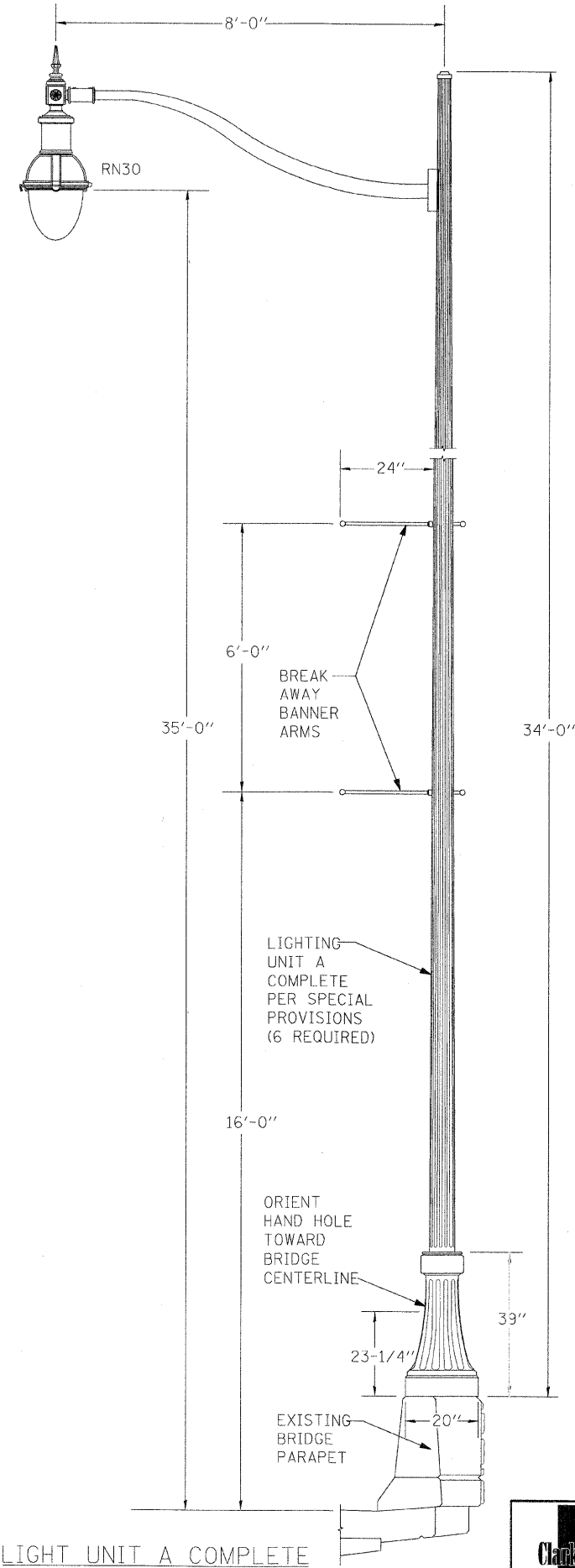
FORMING DETAIL



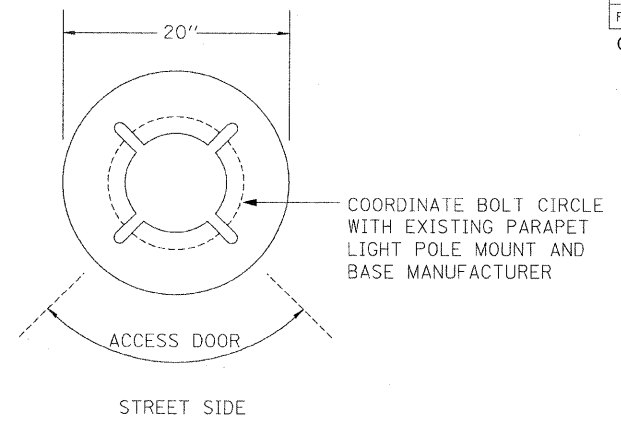
LIGHT UNIT B, COMPLETE



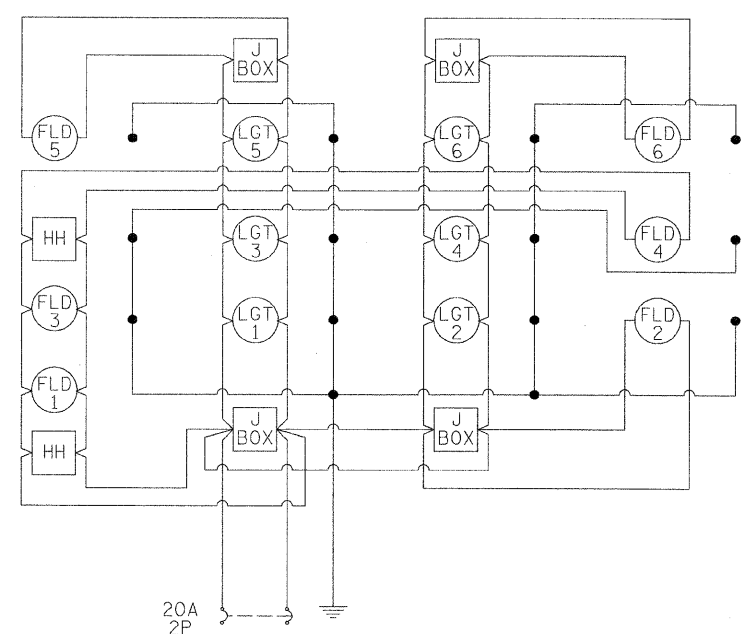
LIGHTING UNIT B COMPLETE PER SPECIAL PROVISIONS (6 REQUIRED)



LIGHT UNIT A COMPLETE



BASE ORIENTATION DIAGRAM



WIRING DIAGRAM CIRCUIT 1

NOTES:  
 PROVIDE CIRCUITING PER PLAN.  
 PROVIDE TWIN FUSE HOLDER IN EACH POLE BASE.  
 PROVIDE FUSES PER MANUFACTURER'S RECOMMENDATIONS.

REVISIONS	
NAME	DATE

ILLINOIS DEPARTMENT OF TRANSPORTATION

## LIGHTING DETAILS

SCALE: As Noted  
 DATE: 01/04/08

DRAWN BY RS  
 CHECKED BY MTP

**Clark Dietz**  
 ENGINEERS

DESIGN FIRM REGISTRATION  
 No. 184-000450  
 118 SOUTH CLINTON STREET  
 SUITE 600  
 CHICAGO, IL 60661  
 PHONE : 312.648.9900  
 FAX : 312.648.0204

\CH1\PROJECTS\01350\Plans\Lighting\_Sheets.dgn  
 1/10/2008