

SUMMARY OF QUANTITIES

ROUTE NO.	SECTION	COUNTY	TOTAL SHEETS	SHEET NO.
F.A.S. 422 C.H. 24	05-00108-00-BR	HANCOCK	9	2
ROAD DIST.	ILLINOIS	CONNABLE ROAD		

CONTRACT NO. : 93449

CODE NUMBER	ITEM	UNIT	QUANTITY
20100500	TREE REMOVAL, ACRES	ACRE	0.2
20200100	EARTH EXCAVATION	CU YD	657
20200200	ROCK EXCAVATION	CU YD	72
* 20400800	FURNISHED EXCAVATION	CU YD	786
28000250	TEMPORARY EROSION CONTROL SEEDING	POUND	50
28000300	TEMPORARY DITCH CHECKS	EACH	4
28000400	PERIMETER EROSION BARRIER	FOOT	50
28102600	STONE RIPRAP DITCH	TON	56
35100100	AGGREGATE BASE COURSE, TYPE A	TON	729
40600100	BITUMINOUS MATERIALS (PRIME COAT)	GAL	475
40603080	HOT-MIX ASPHALT BINDER COURSE, IL 19.0, N50	TON	274
40603310	HOT-MIX ASPHALT SURFACE COURSE, MIX "C", N50	TON	95
44000100	PAVEMENT REMOVAL	SQ YD	933
48101200	AGGREGATE SHOULDERS, TYPE B	TON	156
* 50100100	REMOVAL OF EXISTING STRUCTURES	EACH	1
50300225	CONCRETE STRUCTURES	CU YD	35.8
50800205	REINFORCEMENT BARS, EPOXY COATED	POUND	1,940
51500100	NAME PLATES	EACH	1
542D0223	PIPE CULVERTS, CLASS D, TYPE 1, 18"	FOOT	42
△ * 63000000	STEEL PLATE BEAM GUARDRAIL, TYPE A	FOOT	87.5
△ * 63100045	TRAFFIC BARRIER TERMINAL, TYPE 2	EACH	2
△ * 63100075	TRAFFIC BARRIER TERMINAL, TYPE 5A	EACH	4
△ 63100167	TRAFFIC BARRIER TERMINAL, TYPE 1 SPECIAL (TANGENT)	EACH	2
67100100	MOBILIZATION	L SUM	1
* 70101700	TRAFFIC CONTROL AND PROTECTION	L SUM	1
△ * 78201000	TERMINAL MARKER-DIRECT APPLIED	EACH	2
* XX003551	THREE SIDED PRECAST CONCRETE STRUCTURE	FOOT	34
* XX006199	STEEL BRIDGE RAIL, TYPE SM (SPECIAL)	FOOT	60
* X0323330	PRECAST CONCRETE SUBSTRUCTURE	L SUM	1

* SEE SPECIAL PROVISIONS

CONSTRUCTION TYPE CODE: X023 -2#

△ SPECIALTY ITEMS

GENERAL NOTES

THE NOTED APPLICATION RATES ARE FOR QUANTITY CALCULATIONS ONLY. THE APPLICATION RATE TO BE APPLIED WILL BE DETERMINED BY THE ENGINEER AT THE TIME OF PLACEMENT.

SEEDING WILL BE DONE BY OTHERS.

FENCE WILL BE DONE BY OTHERS.

PAVEMENT MARKING / STRIPING WILL BE DONE BY OTHERS.

THE JOINT DETAIL AT THE BEGINNING AND END OF IMPROVEMENT TO BE CONSTRUCTED AS DIRECTED BY THE ENGINEER.

WHERE SECTION OR SUBSECTION MONUMENTS ARE ENCOUNTERED, THE ENGINEER SHALL BE NOTIFIED BEFORE SUCH MONUMENTS ARE REMOVED. THE CONTRACTOR SHALL PROTECT AND CAREFULLY PRESERVE ALL PROPERTY MARKS AND MONUMENTS UNTIL THE OWNER, AND AUTHORIZED SURVEYOR OR AGENT HAS WITNESSED OR OTHERWISE REFERENCED THEIR LOCATION.

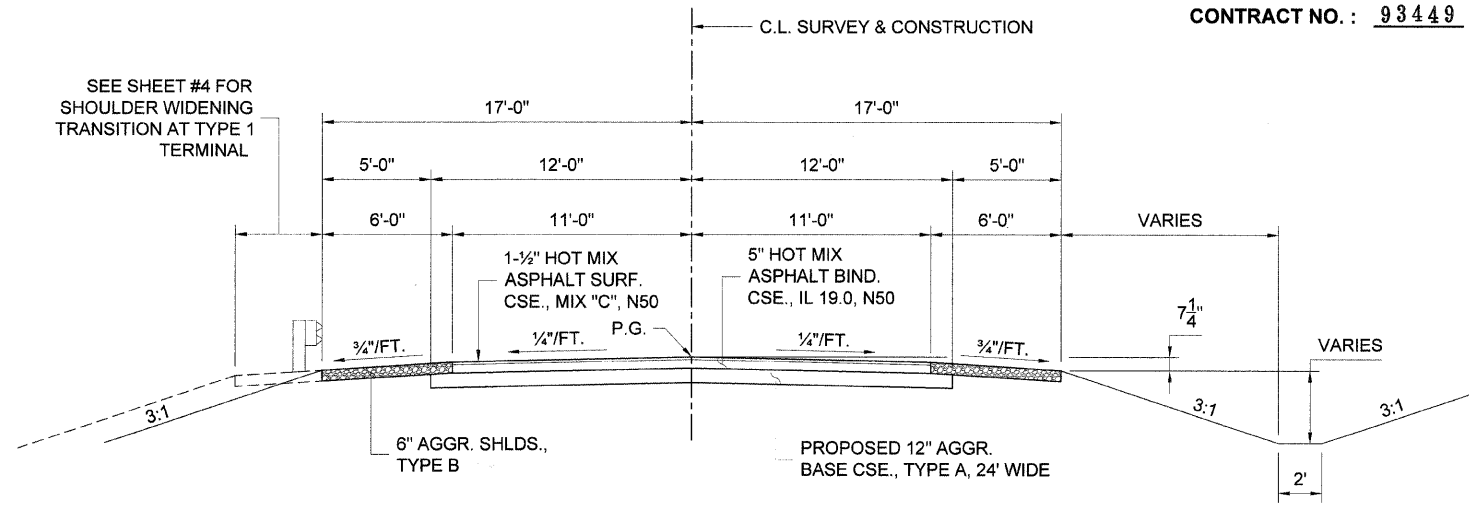
ALL EROSION PROTECTION TO BE PLACED AS DIRECTED BY THE ENGINEER.

APPLICATION RATES USED IN QUANTITY CALCULATIONS

STONE RIPRAP DITCH (CLASS A3)	1.65 TON / CU. YD.
AGGREGATE BASE	2.05 TON / CU. YD.
AGGREGATE SHOULDERS	1.75 TON / CU. YD.
BITUMINOUS MATERIALS (PRIME COAT)	0.35 GAL. / SQ. YD.
HOT MIX ASPHALT (SURFACE & BINDER)	112# / SQ. YD. / IN.

HOT-MIX ASPHALT MIXTURE REQUIREMENTS

ITEM	AGGREGATE COMPOSITION	ASPHALT GRADE	VOIDS
HMA BINDER CSE	IL - 19.0	PG 64-22	4.0% @ N50
HMA SURFACE CSE	IL-9.5 or 12.5 Mix "C"	PG 64-22	4.0% @ N50

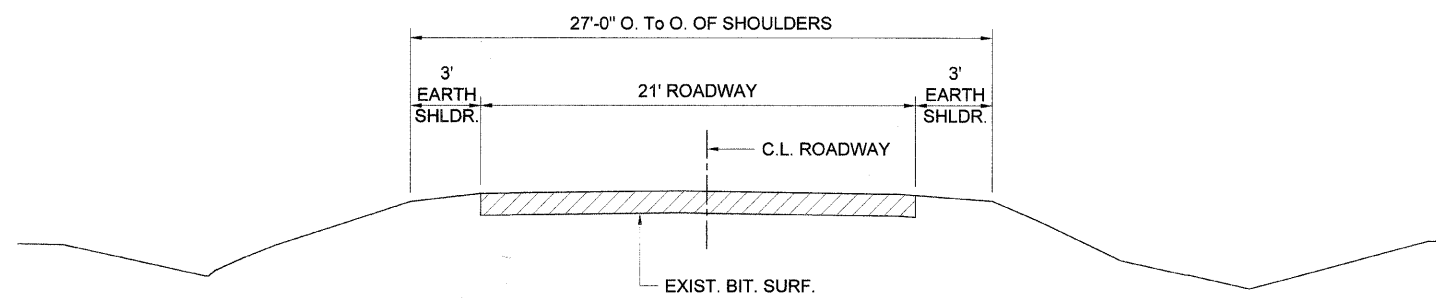


TYPICAL FILL SECTION CONSTRUCT AS SHOWN ON STATION CROSS SECTIONS.

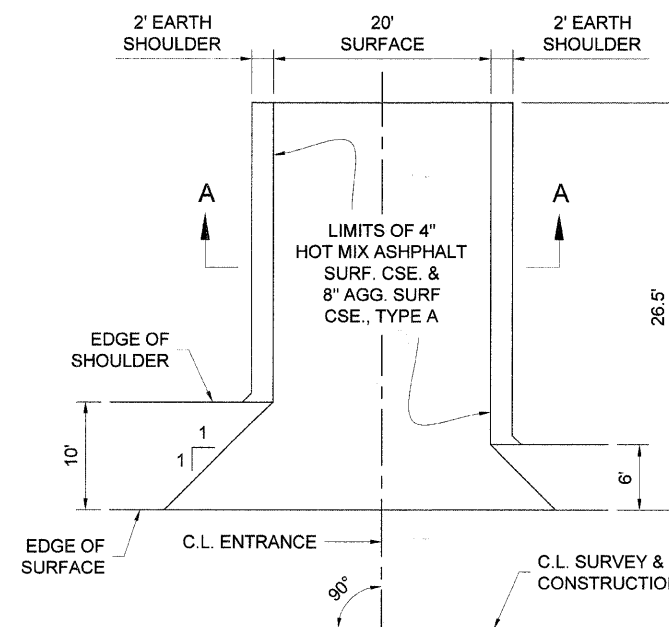
TYPICAL PROPOSED ROADWAY CROSS SECTION

STA. 103+50 TO 107+50

TYPICAL CUT SECTION CONSTRUCT AS SHOWN ON STATION CROSS SECTIONS.

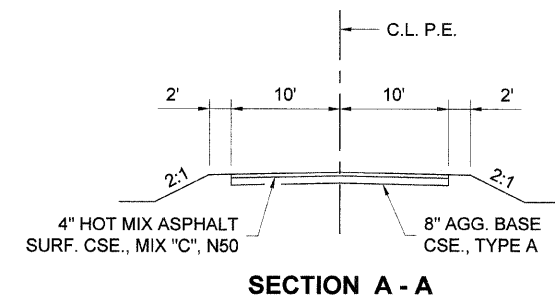


TYPICAL EXISTING ROADWAY CROSS SECTION



PRIVATE ENTRANCE DETAIL

P.E. LT. STA. 106+66



SECTION A - A

SUMMARY OF QUANTITIES, GENERAL NOTES, & TYPICAL CROSS SECTION
 SECTION 00-00108-00-BR
 C.H. 24 (F.A.S. 422)
 HANCOCK COUNTY
 STA. 105+55 - STRUCTURE NO. 034-3249