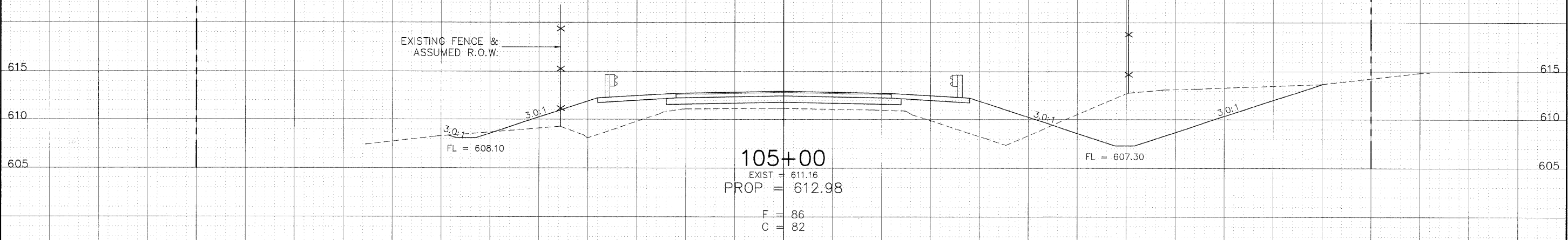
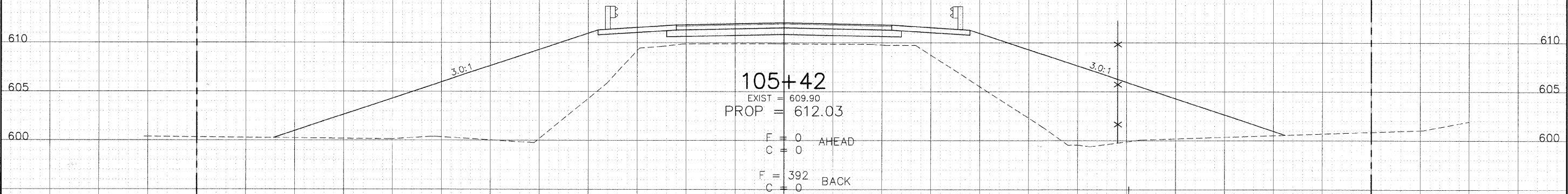
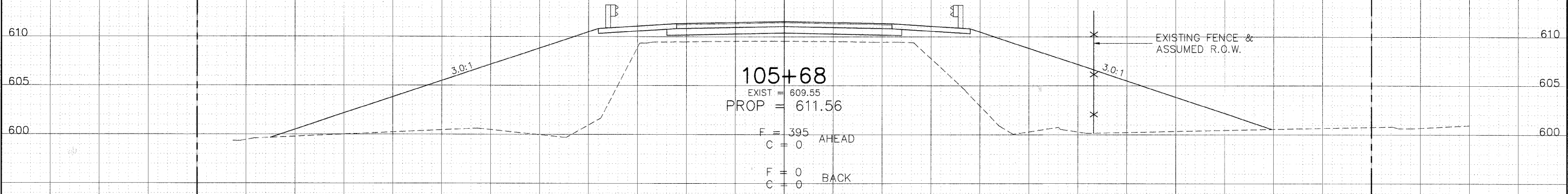
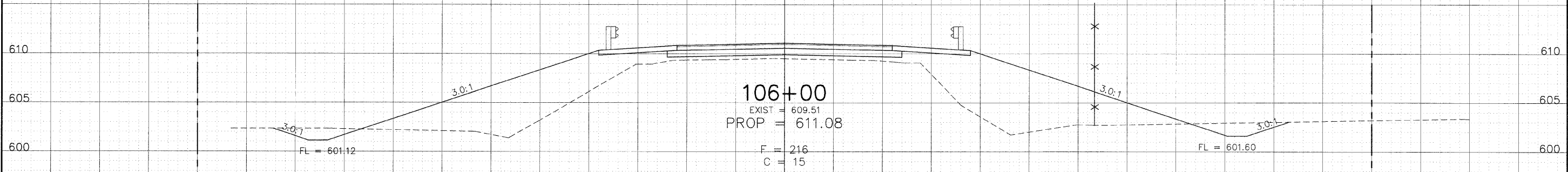


75 70 65 60 55 50 45 40 35 30 25 20 15 10 5 0 5 10 15 20 25 30 35 40 45 50 55

ROUTE NO. F.A.S. 422 C.H. 24	SECTION 05- 00108- 00-BR	COUNTY HANCOCK	TOTAL SHEETS 9	SHEET NO. 8
ROAD DIST.		ILLINOIS	CONNABLE ROAD	

CONTRACT NO.: 93449



75 70 65 60 55 50 45 40 35 30 25 20 15 10 5 0 5 10 15 20 25 30 35 40 45 50 55 60 65 70 75