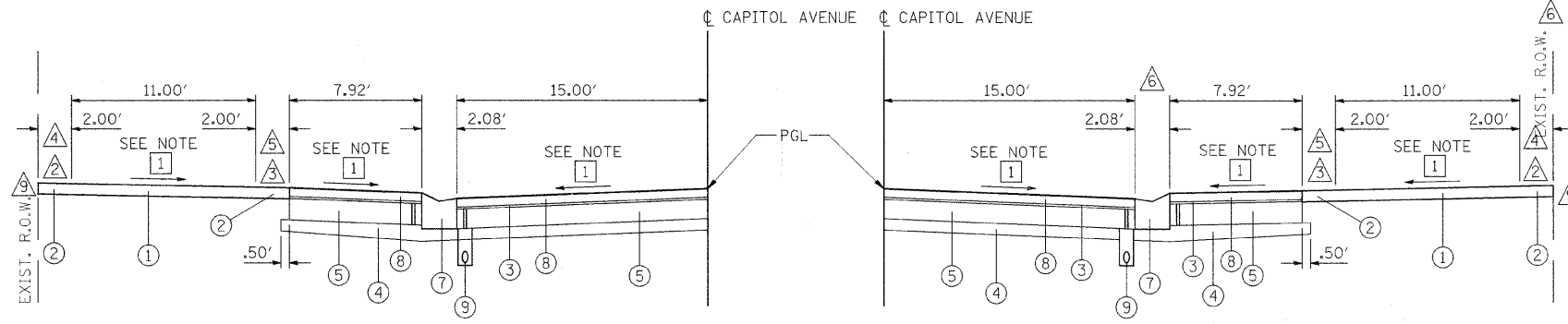


F.A.U. RTE.	SECTION	COUNTY	TOTAL SHEETS	SHEET NO.
7982	*	SANGAMON	114	22
STA.	TO STA.			
FED. ROAD DIST. NO.	ILLINOIS	FED. AID PROJECT		
* 05-00447-01-PV CITY OF SPRINGFIELD				

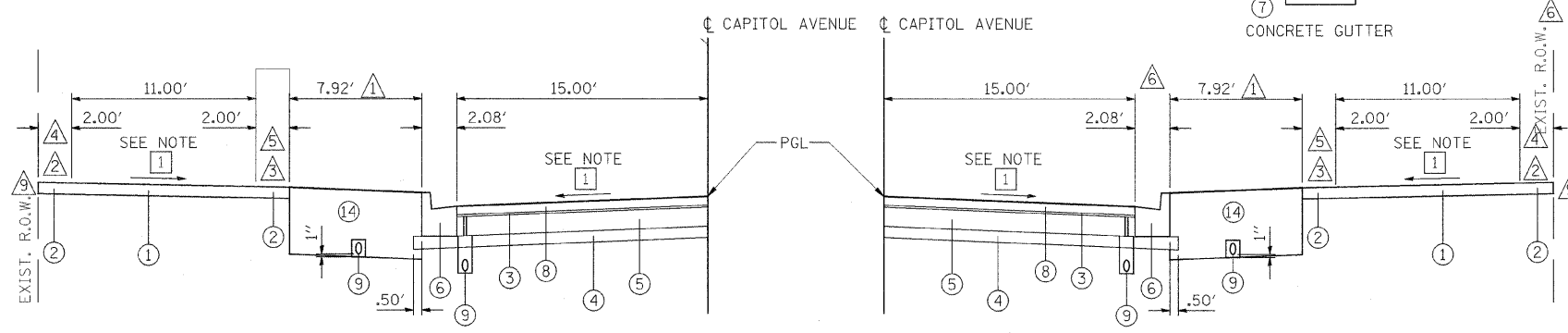


TYPICAL SECTION A - LEFT SIDE

TYPICAL SECTION A - RIGHT SIDE

CAPITOL AVENUE DEPRESSED CURB SECTION
SEE ROADWAY PLANS FOR LOCATIONS

1 SEE CROSS SECTIONS SHEETS FOR INFORMATION

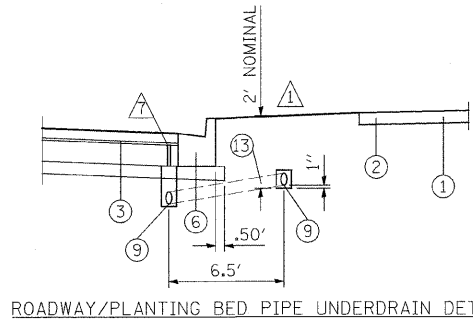
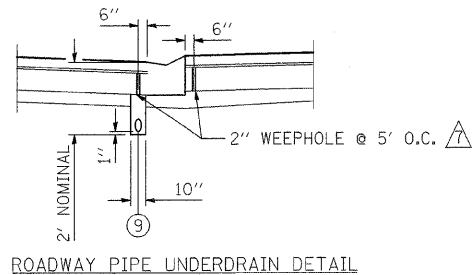


TYPICAL SECTION B - LEFT SIDE

TYPICAL SECTION B - RIGHT SIDE

CAPITOL AVENUE RAISED CURB SECTION
SEE ROADWAY PLANS FOR LOCATIONS

1 SEE CROSS SECTIONS SHEETS FOR INFORMATION



CONCRETE GUTTER

OUTER BAND FEATURES INCLUDE
CUSTOM FENCE
STANDARD BENCH
TRASH RECEPTACLE

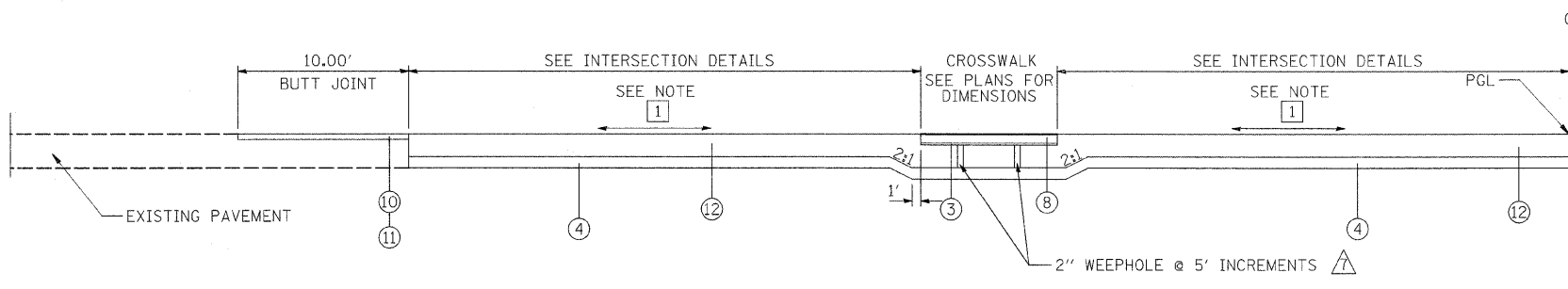
INNER BAND FEATURES INCLUDE
STREET LIGHTS
PEDESTRIAN LIGHTS
INTERPRETIVE MARKER
CUSTOM PLANTER
LIMESTONE BENCH

LEGEND

- 1 PCC SIDEWALK 4 INCH
- 2 PCC SIDEWALK 4 INCH (SMOOTH FINISH)
- 3 SAND BEDDING LAYER, 1"
- 4 SUB-BASE GRANULAR MATERIAL, TYPE A 4"
- 5 PORTLAND CEMENT CONCRETE PAVEMENT 7" (JOINTED)
- 6 COMBINATION CONCRETE CURB AND GUTTER, TYPE B-6.18
- 7 CONCRETE GUTTER
- 8 CONCRETE PAVERS, 3 1/8"
- 9 4" PIPE UNDERDRAIN
- 10 HOT-MIX ASPHALT SURFACE REMOVAL - BUTT JOINT
- 11 HOT-MIX ASPHALT SURFACE COURSE, MIX "C", N50.
- 12 PORTLAND CEMENT CONCRETE PAVEMENT 8" (JOINTED)
- 13 PIPE UNDERDRAIN SPECIAL, 4"
- 14 TOPSOIL (SEE PLANTING PLANS)

NOTES

- 1 SEE PLANTING PLANS FOR DETAILS
- 2 SIDEWALK OUTER BAND
- 3 SIDEWALK INNER BAND
- 4 FEATURES LOCATED ON THE SIDEWALK OUTER BAND TO BE CENTERED ON THE BAND
- 5 FEATURES LOCATED ON THE SIDEWALK INNER BAND TO BE CENTERED ON THE BAND
- 6 BETWEEN 7TH AND 9TH STREETS, THE R.O.W. IS LOCATED BEHIND THE EXISTING CURB AND A PERMANENT EASEMENT IS LOCATED WHERE THE EXISTING R.O.W. TYPICALLY IS.
- 7 WEEP HOLES TO BE FORMED WITH PAVEMENT AND FILLED WITH CA-16 (PEA GRAVEL) INCLUDED WITH THE COST FOR PAVEMENT
- 8 SEE ROADWAY PLANS FOR CONNECTION TO EXISTING PAVEMENT AT 7TH AND 11TH STREETS.
- 9 MATCH EXISTING ELEVATION



INTERSECTION TYPICAL SECTION ALONG CAPITOL AVENUE CROSS STREETS

1 SEE INTERSECTION ELEVATION DETAILS SHEETS

PCC PAVEMENT - MIDBLOCK (7")

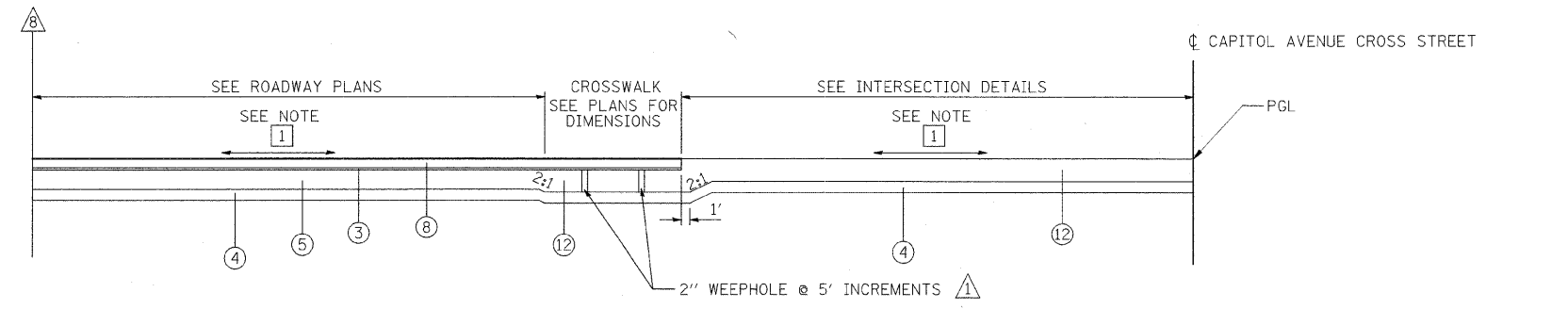
STRUCTURAL DESIGN TRAFFIC	YEAR 2017
PV = 5782	SU = - MU = 118
ROAD/STREET CLASSIFICATION:	CLASS II
PERCENT OF STRUCTURAL DESIGN TRAFFIC IN DESIGN LANE:	
P = 98%	S = - M = 2%
TRAFFIC FACTOR:	ACTUAL TF = .57 AC TYPE = N/A
	MINIMUM TF = N/A
PG GRADE:	BINDER = N/A SURFACE = N/A
SUBGRADE SUPPORT RATING:	SSR = POOR

PCC PAVEMENT - INTERSECTIONS (8")

STRUCTURAL DESIGN TRAFFIC	YEAR 2017
PV = 15,092	SU = - MU = 308
ROAD/STREET CLASSIFICATION:	CLASS I
PERCENT OF STRUCTURAL DESIGN TRAFFIC IN DESIGN LANE:	
P = 98%	S = - M = 2%
TRAFFIC FACTOR:	ACTUAL TF = 1.93 AC TYPE = N/A
	MINIMUM TF = N/A
PG GRADE:	BINDER = N/A SURFACE = N/A
SUBGRADE SUPPORT RATING:	SSR = POOR

HOT-MIX ASPHALT MIXTURE REQUIREMENTS

ITEM	AGGREGATE COMPOSITION	ASPHALT GRADE	VOIDS
HMA SURFACE	IL - 12.5 MIX "C"	PG 64-22	4.0% @ N50



INTERSECTION TYPICAL SECTION ALONG CAPITOL AVENUE

1 SEE INTERSECTION ELEVATION DETAILS SHEETS

REVISIONS

NAME	DATE

ILLINOIS DEPARTMENT OF TRANSPORTATION
PROPOSED TYPICAL SECTIONS

FAU RTE 7982 CAPITOL AVE
SEC NO. 05-00447-01-PV
SANGAMON COUNTY, ILLINOIS

SCALE: VERT. / HORIZ.
DATE 09/19/07

DRAWN BY DAP
CHECKED BY JXH



© Copyright Hanson Professional Services, Inc. 2008
PLOT DATE = 01/19/2009 10:21 AM
FILE NAME = h:\02_jobs\02-28\1a\cadd\road\microstation\sheet\section.L7-0h-11\h\c-007_PPR_TYP.dgn
PLOT SCALE = 5/0000 / IN
USER NAME = Pop90636

LAYOUT	DAP	02/23/07
DRAWN	DAP	02/23/07
REVIEWED	MR.	09/19/07