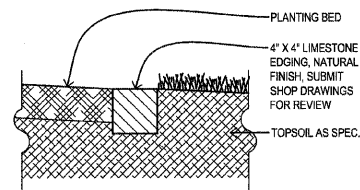
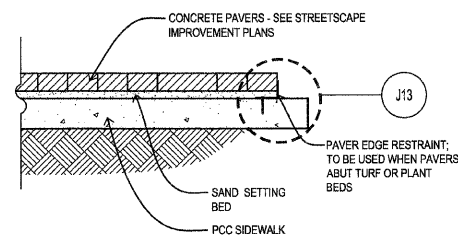


F.A.U. RTE.	SECTION	COUNTY	TOTAL SHEETS	SHEET NO.
7982	*	SANGAMON	114	69
STA.		TO STA.		
FED. ROAD DIST. NO.	ILLINOIS	FED. AID PROJECT		
05-00447-01-PV	CITY OF SPRINGFIELD			

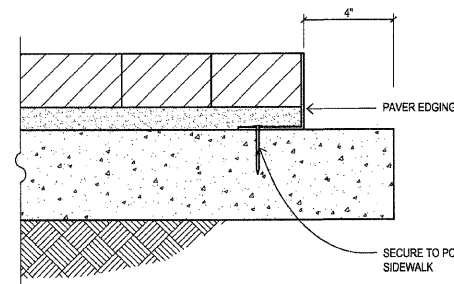
RDS
 PLANNING DESIGN



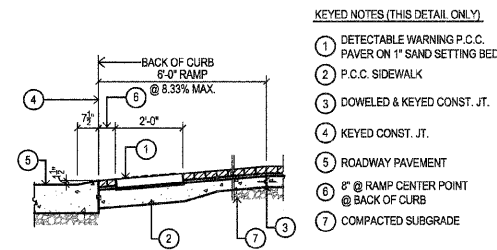
J11 SECTION: LIMESTONE EDGING
N.T.S.



J12 TYP. SECTION: SIDEWALK PCC PAVERS
N.T.S. / DO NOT SCALE



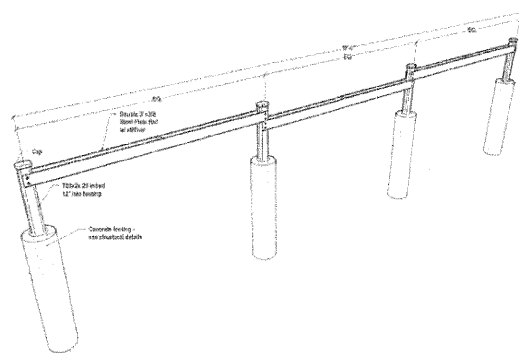
J13 TYP. SECTION: PAVER EDGE RESTRAINT
N.T.S. / DO NOT SCALE



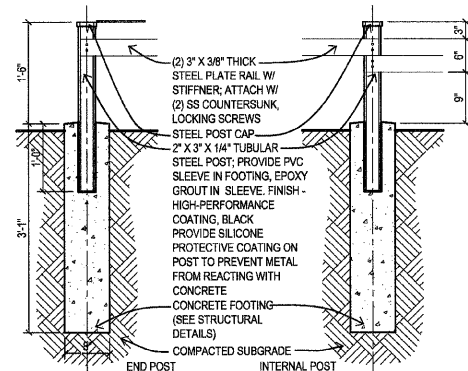
J14 TYP. SECT: CURB RAMP
N.T.S. / DO NOT SCALE

KEYED NOTES (THIS DETAIL ONLY)

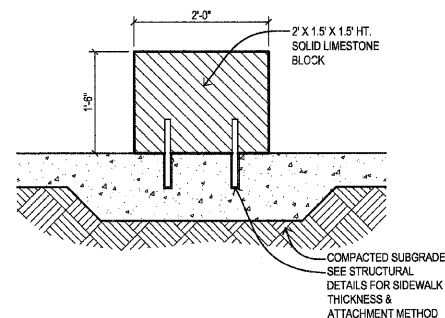
- 1 DETECTABLE WARNING P.C.C. PAVER ON 1" SAND SETTING BED
- 2 P.C.C. SIDEWALK
- 3 DOWELED & KEYS CONST. JT.
- 4 KEYS CONST. JT.
- 5 ROADWAY PAVEMENT
- 6 8" @ RAMP CENTER POINT @ BACK OF CURB
- 7 COMPACTED SUBGRADE



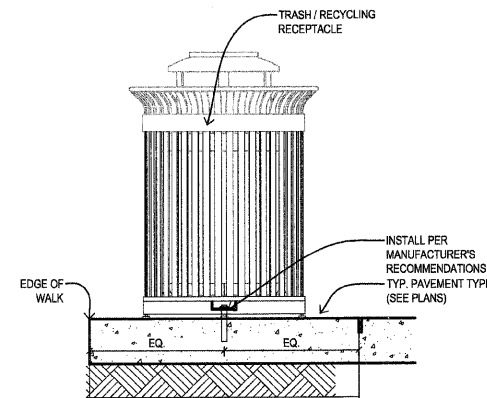
J5 STEEL PLANTER RAILING - PERSPECTIVE DETAIL
N.T.S. / DO NOT SCALE



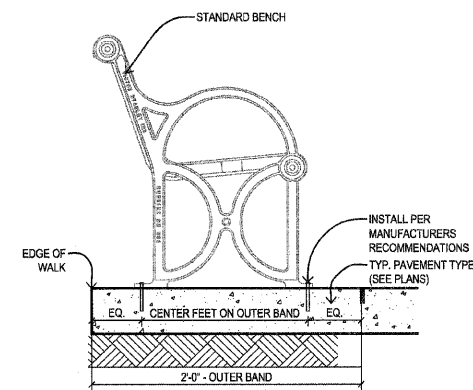
J6 STEEL PLANTER RAILING (W/ FOOTING) SECTION
3/4" = 1'-0"



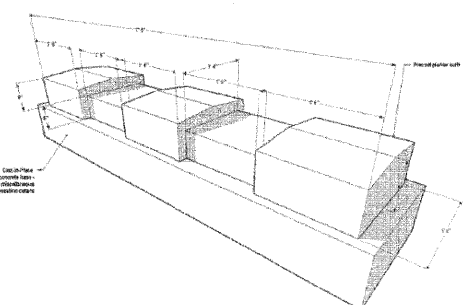
J7 TYPICAL SECTION: STONE BENCH
3/4" = 1'-0"



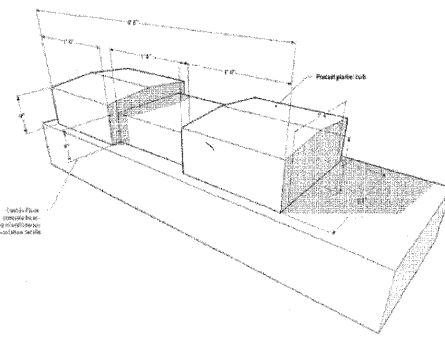
J8 TYP. TRASH / REC. RECEPTACLE ATTACHMENT DETAIL
1 1/2" = 1'-0"



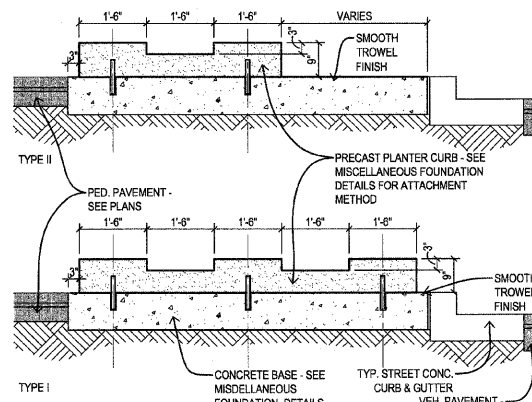
J9 TYP. METAL BENCH ATTACHMENT DETAIL
1 1/2" = 1'-0"



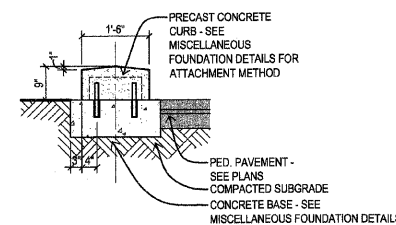
J1 PRECAST PLANTER EDGE - TYPE 'I'
N.T.S. / DO NOT SCALE



J2 PRECAST PLANTER EDGE - TYPE 'II'
N.T.S. / DO NOT SCALE



J3 PRECAST PLANTER EDGE - SIDE SECTION
1/2" = 1'-0"



J4 PRECAST PLANTER EDGE - FRONT SECTION
1/2" = 1'-0"

REVISIONS	
NAME	DATE

ILLINOIS DEPARTMENT OF TRANSPORTATION
STREETSCAPE IMPROVEMENT
 DETAILS
 FAU RTE 7982 CAPITOL AVE
 SEC NO. 05-00447-01-PV
 SANGAMON COUNTY, ILLINOIS

SCALE: VERT. HORIZ.
 DATE: DRAWN BY: JM
 CHECKED BY:

DATE
 FILE NAME
 PLOT SCALE
 USER NAME