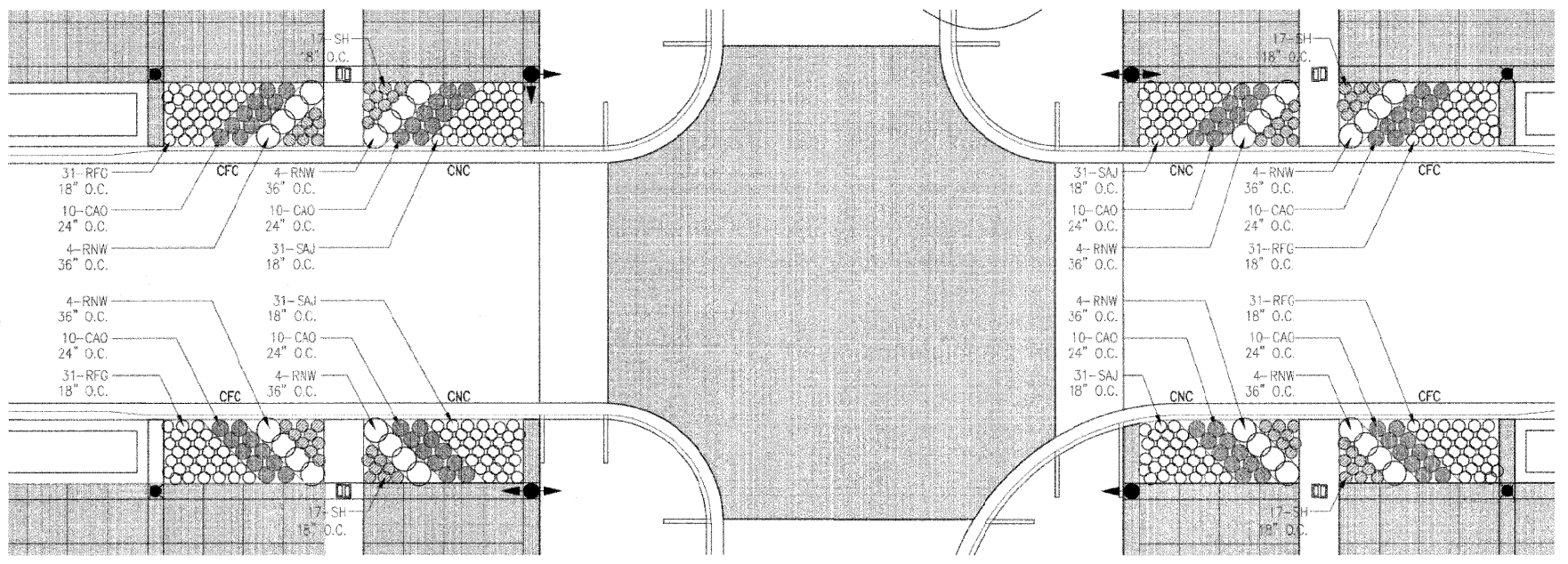


F.A.U. RTE.	SECTION	COUNTY	TOTAL SHEETS	SHEET NO.
7982	*	SANGAMON	114	72
STA.		TO STA.		
FED. ROAD DIST. NO.	ILLINOIS	FED. AID PROJECT		
* 05-00447-01-PV CITY OF SPRINGFIELD				



L 1-1 CAPITOL AVENUE NEAR CORNER (CNC) PLANTING AREA
L 1-1 CAPITOL AVENUE FAR CORNER (CFC) PLANTING AREA

CNC-TYPICAL NEAR CORNER PLANT LIST

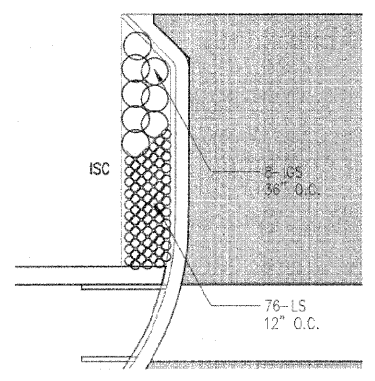
DESIGNATION	BOTANICAL NAME	COMMON NAME	SIZE
SHRUBS			
RNW	ROSA 'NEARLY WILD'	NEARLY WILD ROSE	5-GAL. 24" HEIGHT
PERENNIALS AND GROUNDCOVERS			
CAO	CALAMAGROSTIS ACUTIFLORA 'OVERDAM'	FEATHER REED GRASS	1-GAL. WELL DEVELOPED
SAJ	SEDUM 'AUTUMN JOY'	AUTUMN JOY SEDUM	1-GAL. WELL DEVELOPED
SH	SPOROBOLUS HETEROLEPIS	PRAIRIE DROPSEED	1-GAL. WELL DEVELOPED

CFC-TYPICAL FAR CORNER PLANT LIST

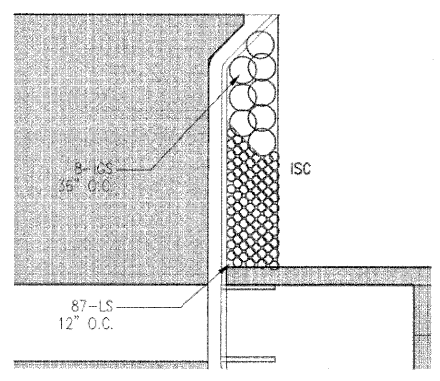
DESIGNATION	BOTANICAL NAME	COMMON NAME	SIZE
SHRUBS			
RNW	ROSA 'NEARLY WILD'	NEARLY WILD ROSE	5-GAL. 24" HEIGHT
PERENNIALS AND GROUNDCOVERS			
CAO	CALAMAGROSTIS ACUTIFLORA 'OVERDAM'	FEATHER REED GRASS	1-GAL. WELL DEVELOPED
RFG	RUDBECKIA FULGIDA 'GOLDSTURM'	GOLDSTURM BLACKEYED SUSAN	1-GAL. WELL DEVELOPED
SH	SPOROBOLUS HETEROLEPIS	PRAIRIE DROPSEED	1-GAL. WELL DEVELOPED

ISC-TYPICAL INTERSECTING STREET CORNER PLANT LIST

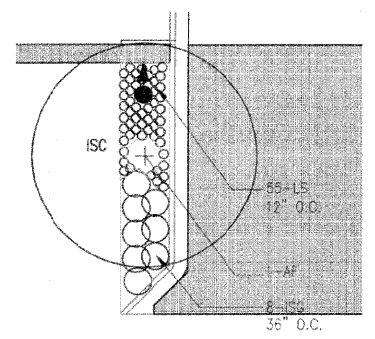
DESIGNATION	BOTANICAL NAME	COMMON NAME	SIZE
TREES			
AF	ACER X FREEMANII 'ARMSTRONG'	ARMSTRONG FREEMAN MAPLE	3", B.B.
SHRUBS			
IGS	ILEX GLABRA 'SHAMROCK'	SHAMROCK INKBERRY HOLLY	5-GAL. WELL DEVELOPED
PERENNIALS AND GROUNDCOVERS			
LS	LIRIOPE SPICATA	CREeping LILYTURF	1 QUART WELL DEVELOPED



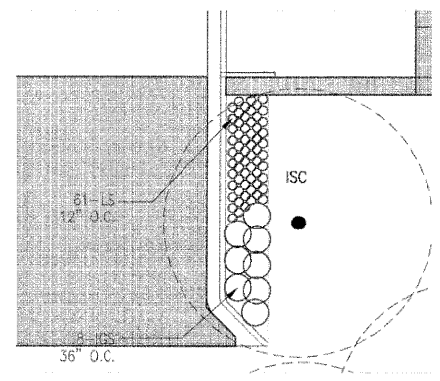
L 1-2 INTERSECTING STREET CORNER (ISC) PLANTING AREA



L 1-3 INTERSECTING STREET CORNER (ISC) PLANTING AREA 2



L 1-4 INTERSECTING STREET CORNER (ISC) PLANTING AREA 3



L 1-5 INTERSECTING STREET CORNER (ISC) PLANTING AREA 4

Massie & Massie Associates
 1210 S. 5th Street, Springfield, IL 62703 217-544-3210
 421 West Main Street, Decatur, IL 62522 217-424-0792

PLOT DATE = 12/4/07
 PLOT SCALE = 1"=10'
 USER NAME =

REVISIONS	
NAME	DATE

ILLINOIS DEPARTMENT OF TRANSPORTATION
 TYPICAL CORNER PLANTING
 FAU RTE 7982 CAPITOL AVE
 SEC NO. 05-00447-01-PV
 SANGAMON COUNTY, ILLINOIS

SCALE: VERT. DATE: DRAWN BY: CHECKED BY: