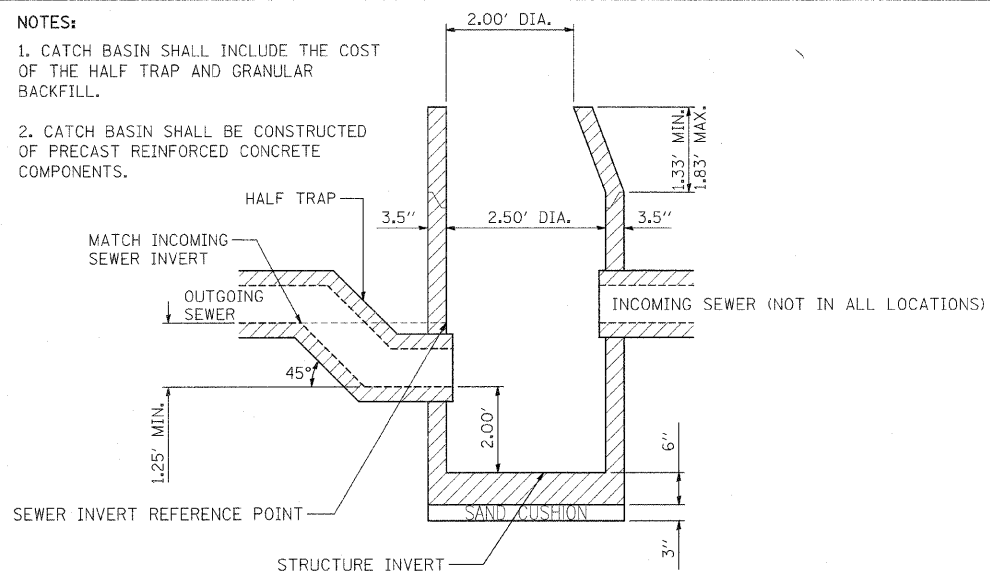


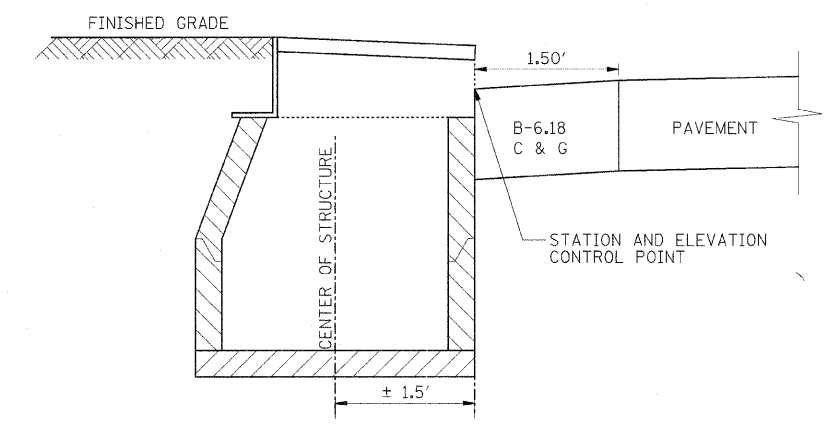
F.A.U. RTE.	SECTION	COUNTY	TOTAL SHEETS	SHEET NO.
7982		SANGAMON	114	82
STA.	TO STA.			
FED. ROAD DIST. NO.	ILLINOIS	FED. AID PROJECT		
05-00447-01-PV		CITY OF SPRINGFIELD		

**NOTES:**

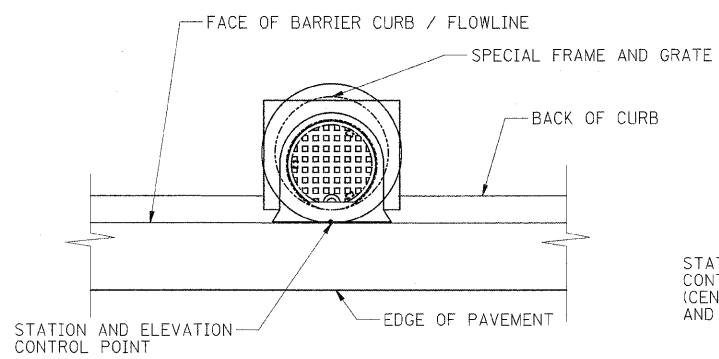
- CATCH BASIN SHALL INCLUDE THE COST OF THE HALF TRAP AND GRANULAR BACKFILL.
- CATCH BASIN SHALL BE CONSTRUCTED OF PRECAST REINFORCED CONCRETE COMPONENTS.



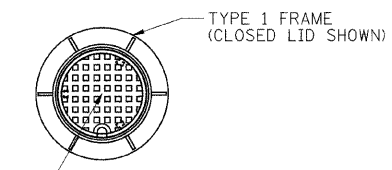
**CATCH BASIN, SPECIAL**



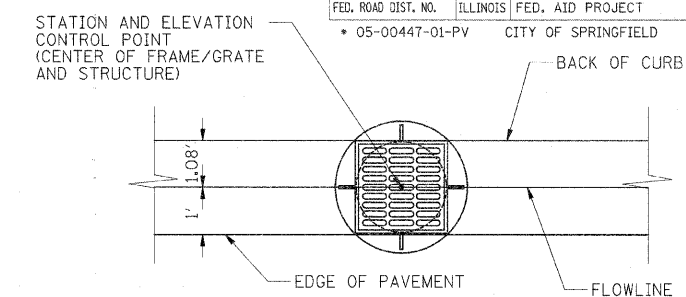
**CATCH BASIN SPECIAL OFFSET TO SPECIAL FRAME AND GRATE CONTROL POINT**



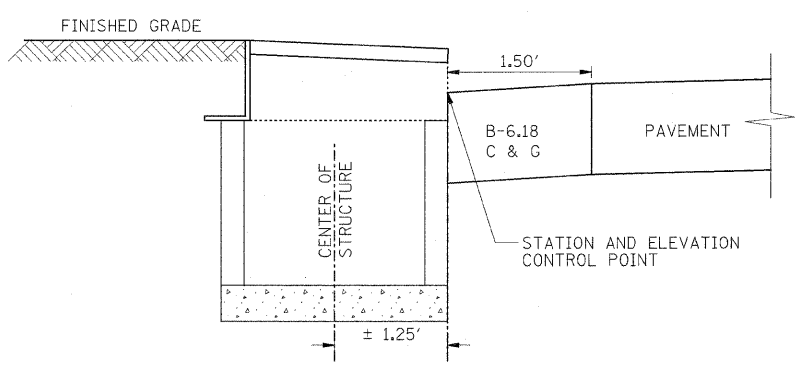
**SPECIAL FRAME AND GRATE STRUCTURE CONTROL POINT**



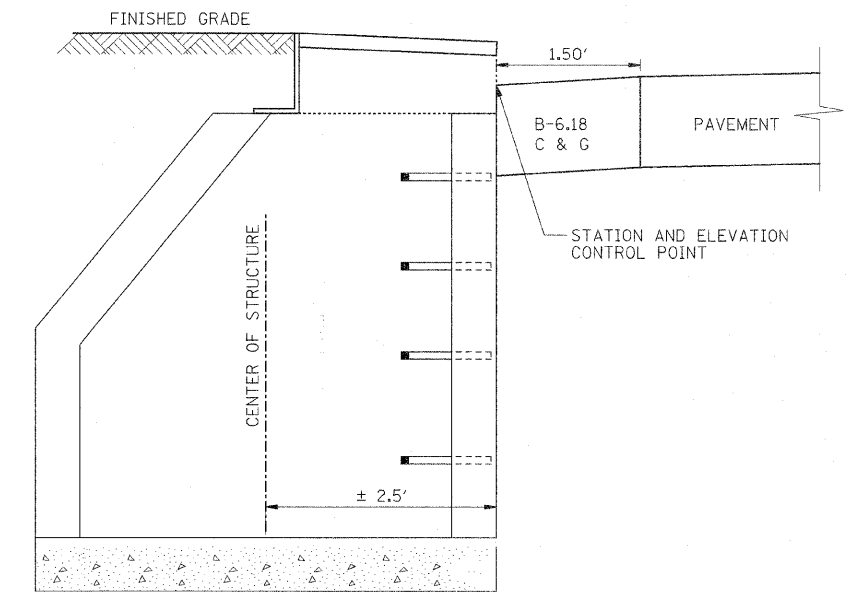
**TYPE 1 FRAME STRUCTURE CONTROL POINT**



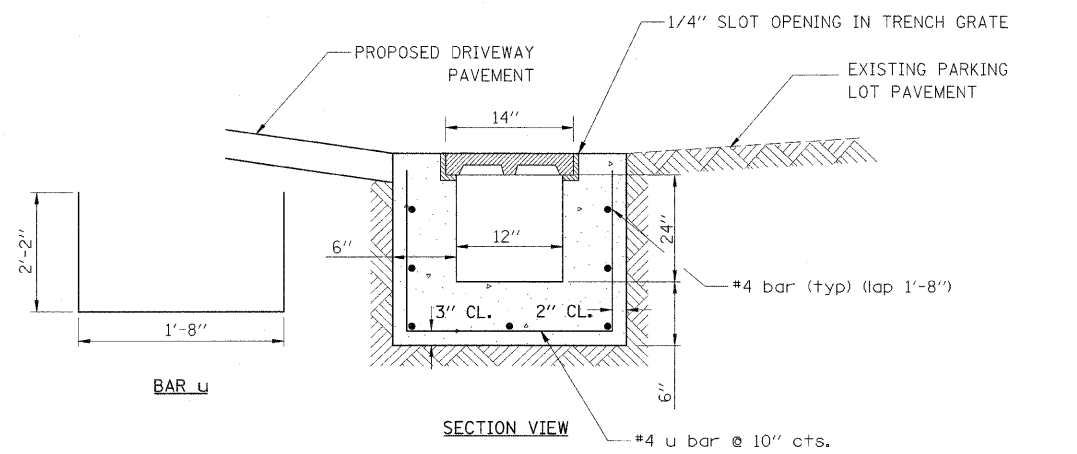
**TYPE 9 FRAME AND GRATE STRUCTURE CONTROL POINT**



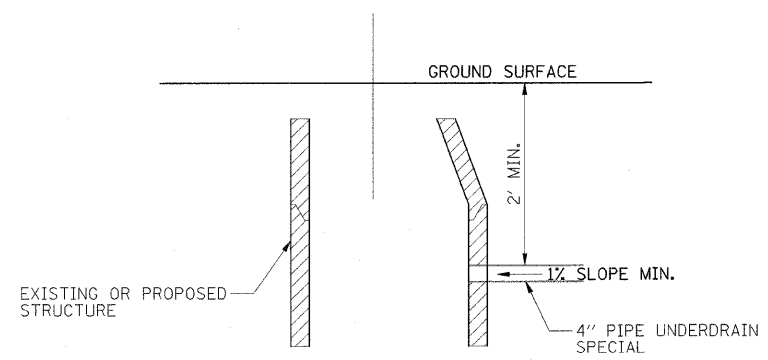
**INLET TYPE A OFFSET TO SPECIAL FRAME AND GRATE CONTROL POINT**



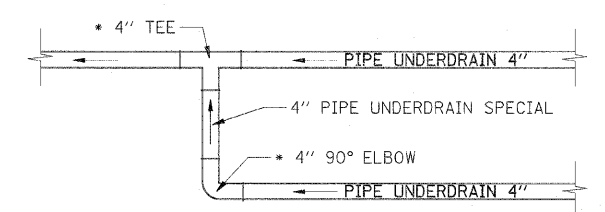
**MANHOLE TYPE A 4' DIA. OFFSET TO SPECIAL FRAME AND GRATE CONTROL POINT**



**TRENCH DRAIN DETAIL**



**PIPE UNDERDRAIN SPECIAL STRUCTURE CONNECTION DETAIL**



**PIPE UNDERDRAIN SPECIAL UNDERDRAIN CONNECTION DETAIL**

REVISIONS	
NAME	DATE

ILLINOIS DEPARTMENT OF TRANSPORTATION  
**DRAINAGE DETAILS**  
 FAU RTE 7982 CAPITOL AVE  
 SEC NO. 05-00447-01-PV  
 SANGAMON COUNTY, ILLINOIS  
 SCALE: VERT. \_\_\_\_\_  
 HORIZ. \_\_\_\_\_  
 DATE 09/19/07  
 DRAWN BY DAP  
 CHECKED BY MH



PLOT DATE = 08/19/2008 10:23 AM  
 FILE NAME = \\n02\p05\022201a\cadd\road\inorstation\sheet\section\_17\th-11th-c-894\_drn\_det.dgn  
 USER NAME = P0408836