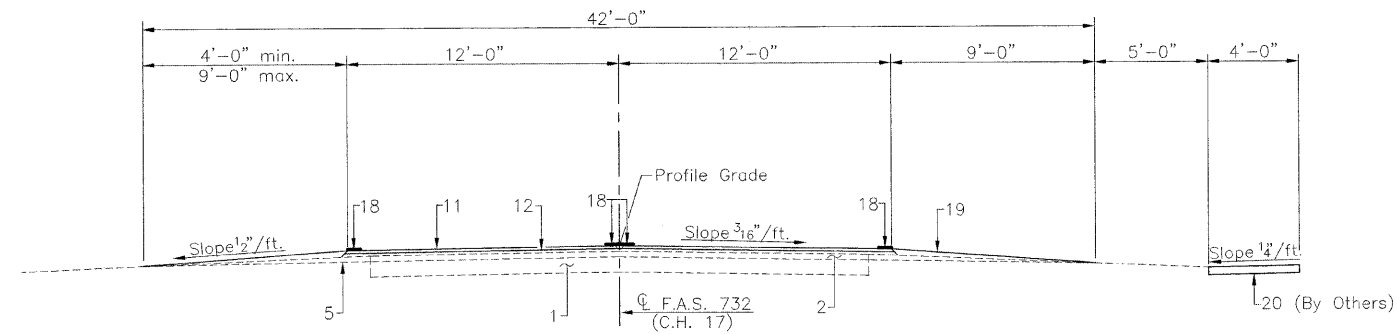


RTE.	SECTION	COUNTY	TOTAL SHEETS	SHEET NO.
C.H. 17	*	MONTGOMERY	41	3
PROJECT				

* 07-00125-01-RS



PROPOSED TYPICAL SECTION #1
(Sta. 22+40.00 to Sta. 22+80.00)

PAVEMENT DESIGN (WEST)

Structural Design Traffic (S.D.T.) Year 2018
West of S.N. 068-0037
P.V. = 5219 S.U. = 1236 M.U. = 412
Class II Road

STA. 22+40 TO STA. 31+37

Minimum Soil Support: Avg. IBV = 16.1
T.F. = 2.98
SN_F = 3.15 (Required)
SN_F = 3.16 (Provided)
3" Hot Mix Asphalt Overlay

STA. 31+37 TO STA. 48+45.3

Minimum Soil Support: IBV = 5
T.F. = 4.02
SN_C = 3.66 (Required)
SN_C = 3.68 (Provided)
4" Hot Mix Asphalt Overlay

PAVEMENT DESIGN (EAST)

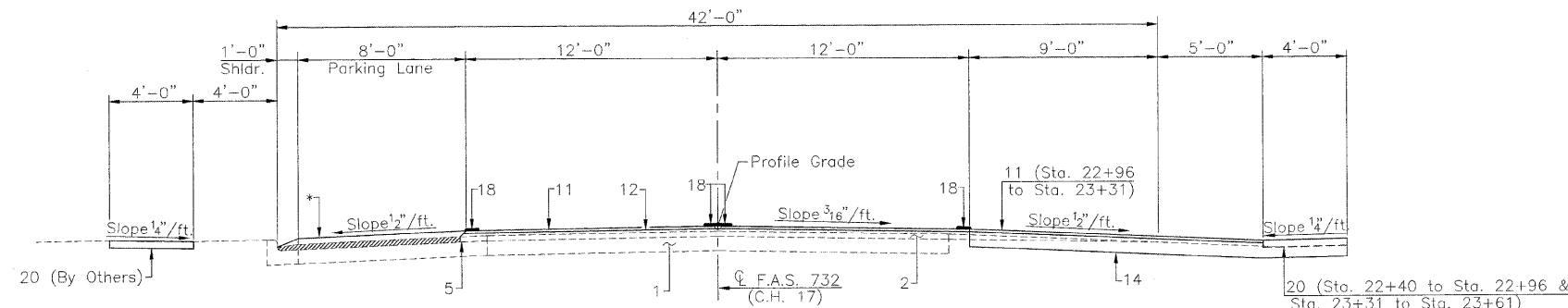
Structural Design Traffic (S.D.T.) Year 2018
East of S.N. 068-0037
P.V. = 1442 S.U. = 147 M.U. = 49
Class III Road

STA. 51+46 TO STA. 67+50

Minimum Soil Support: IBV = 5
T.F. = 0.47
SN_C = 2.73 (Required)
SN_C = 2.88 (Provided)
2" Hot Mix Asphalt Overlay

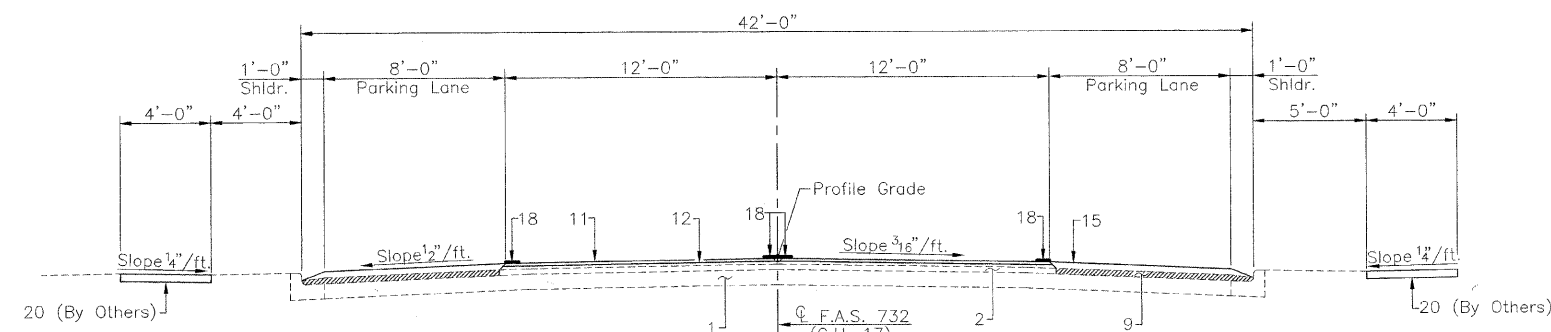
STA. 67+50 TO STA. 72+74.3

Minimum Soil Support: IBV = 3.8
T.F. = 0.35
SN_F = 3.40 (Required)
SN_F = 3.59 (Provided)
5" + 7" Hot Mix Asphalt Overlay

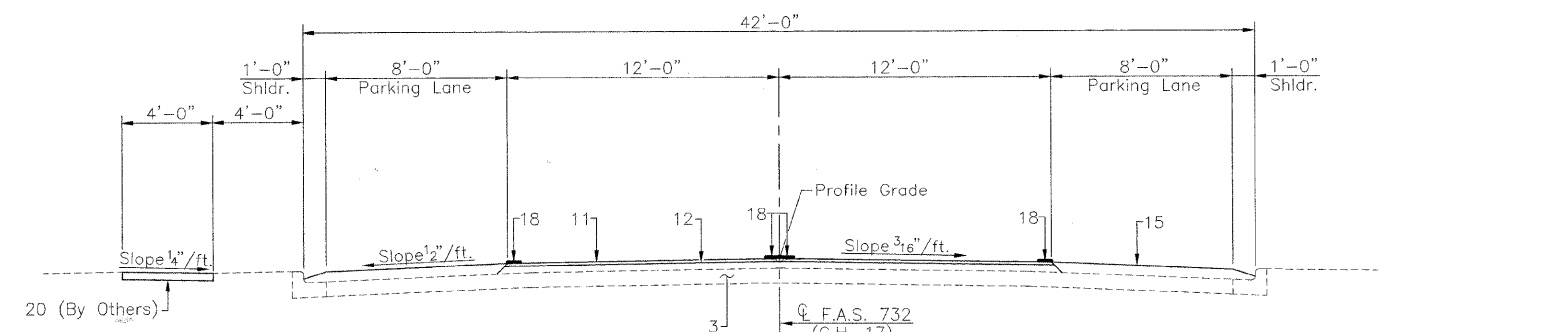


PROPOSED TYPICAL SECTION #2
(Sta. 22+80.00 to Sta. 24+06.00)

* C.E. from Sta. 22+80 to Sta. 23+36 Lt.



PROPOSED TYPICAL SECTION #3
(Sta. 24+06.00 to Sta. 31+56.35)



PROPOSED TYPICAL SECTION #4
(Sta. 31+56.35 to Sta. 33+92.00) **

** Concrete Parking Lane ends Sta. 33+89 Rt.

PAVEMENT LEGEND

1. Existing Aggregate Base (±8" min.)
2. Existing Hot Mix Asphalt Overlay (±3" min.)
3. Existing P.C.C. Pavement 8"
4. Existing Stabilized Sub-Base 4"
5. Existing Aggregate Wedge
6. Existing Aggregate Shoulders 8"
7. Existing Stabilized Shoulders 8"
8. Existing Type B-6.12 Gutter
9. Existing Hot Mix Asphalt Surface Removal 3"
10. Existing Concrete Median Surface Removal
11. Proposed Hot Mix Asphalt Surface Course, Mix. D, N70 1 1/2" min.
12. Proposed Hot Mix Asphalt Leveling Binder (Machine Method) N70 - (Variable Depth)
13. Proposed Hot Mix Asphalt Base Course Widening 8"
14. Proposed Hot Mix Asphalt Binder Course IL-19.0 N70 (8 1/2")
15. Proposed Hot Mix Asphalt Shoulders
16. Proposed Turf Median
17. Proposed Concrete Curb & Gutter Removal and Replacement, Type M6.06 (Special)
18. Proposed Pavement Marking 4"
19. Proposed Aggregate Shoulders, Type B
20. Proposed P.C.C. Sidewalk 4"
21. Proposed Sub-base Granular Material 4"
22. Proposed Storm Sewers, Class A, Type 1 8"
23. Proposed Pipe Underdrains 4"
24. Proposed Temporary Pavement Marking 4"
25. Proposed Earth Shoulder

DETAILS & TYPICAL SECTIONS
F.A.S. 732 (C.H. 17)
(FARMERSVILLE OVERPASS)
SECTION 07-00125-01-RS
MONTGOMERY COUNTY