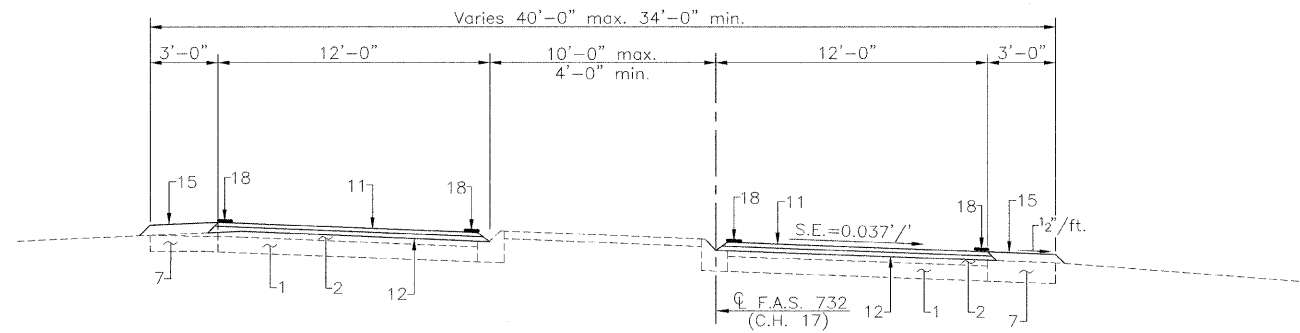


| RTE. | SECTION | COUNTY | TOTAL SHEETS | SHEET NO. |
|---------|---------|------------|--------------|-----------|
| C.H. 17 | * | MONTGOMERY | 41 | 5 |
| PROJECT | | | | |

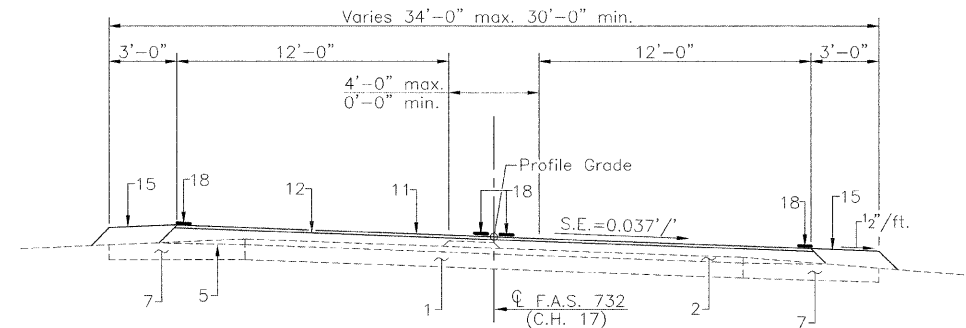
* 07-00125-01-RS



PROPOSED TYPICAL SECTION #9

(Sta. 67+00.00 to Sta. 67+82.00)

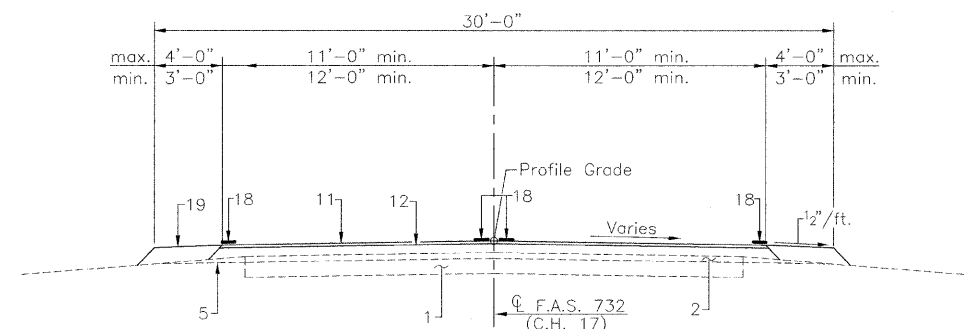
Note: HMA Overlay thickness varies from 2½" to 6½"



PROPOSED TYPICAL SECTION #10

(Sta. 67+82.00 to Sta. 68+55.00)

Note: HMA Overlay thickness varies from 6½" to 7½"



PROPOSED TYPICAL SECTION #11

(Sta. 68+55.00 to Sta. 72+74.30)

Note: HMA Overlay thickness varies from 7½" to 0"

PAVEMENT LEGEND

1. Existing Aggregate Base (±8" min.)
2. Existing Hot Mix Asphalt Overlay (±3" min.)
3. Existing P.C.C. Pavement 8"
4. Existing Stabilized Sub-Base 4"
5. Existing Aggregate Wedge
6. Existing Aggregate Shoulders 8"
7. Existing Stabilized Shoulders 8"
8. Existing Type B-6.12 Gutter
9. Existing Hot Mix Asphalt Surface Removal 3"
10. Existing Concrete Median Surface Removal
11. Proposed Hot Mix Asphalt Surface Course, Mix. D, N70 1½" min.
12. Proposed Hot Mix Asphalt Leveling Binder (Machine Method) N70 - (Variable Depth)
13. Proposed Hot Mix Asphalt Base Course Widening 8"
14. Proposed Hot Mix Asphalt Binder Course IL-19.0 N70 (8½")
15. Proposed Hot Mix Asphalt Shoulders
16. Proposed Turf Median
17. Proposed Concrete Curb & Gutter Removal and Replacement, Type M6.06 (Special)
18. Proposed Pavement Marking 4"
19. Proposed Aggregate Shoulders, Type B
20. Proposed P.C.C. Sidewalk 4"
21. Proposed Sub-base Granular Material 4"
22. Proposed Storm Sewers, Class A, Type 1 8"
23. Proposed Pipe Underdrains 4"
24. Proposed Temporary Pavement Marking 4"
25. Proposed Earth Shoulder

DETAILS & TYPICAL SECTIONS
F.A.S. 732 (C.H. 17)
(FARMERSVILLE OVERPASS)
SECTION 07-00125-01-RS
MONTGOMERY COUNTY