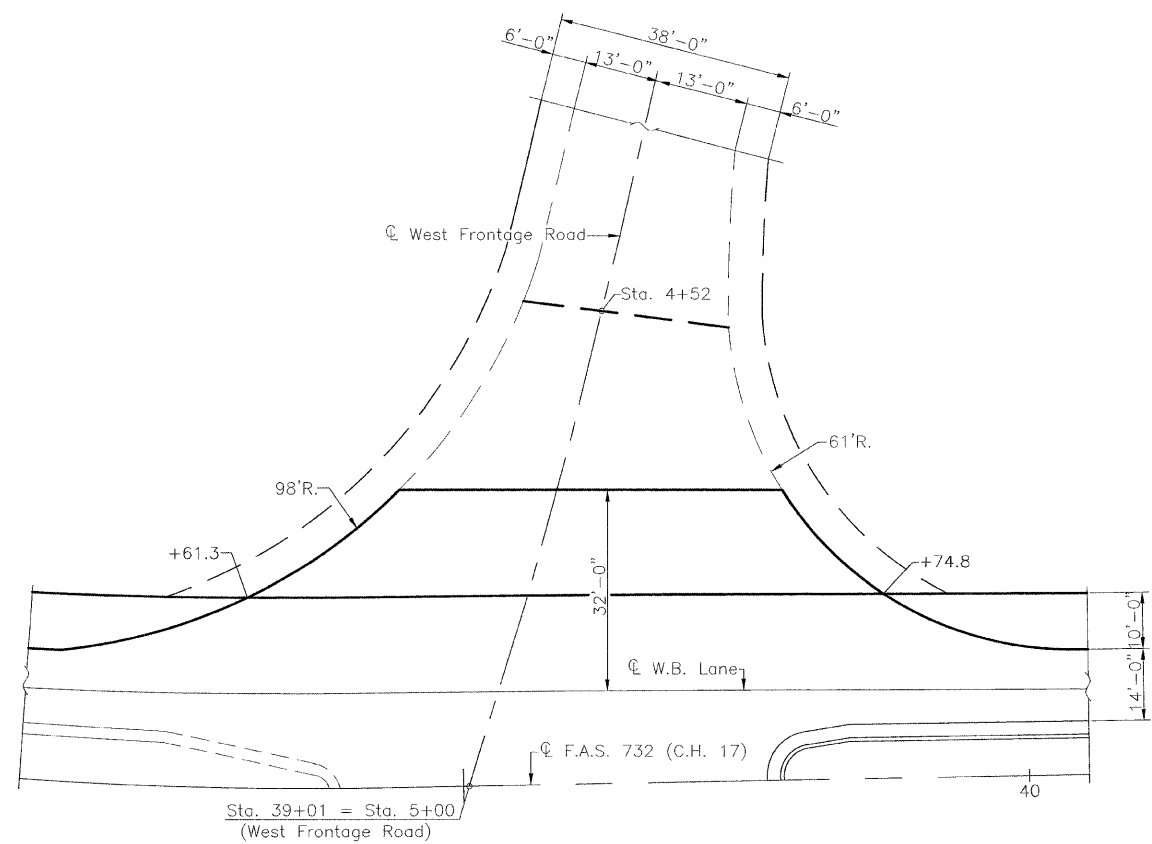
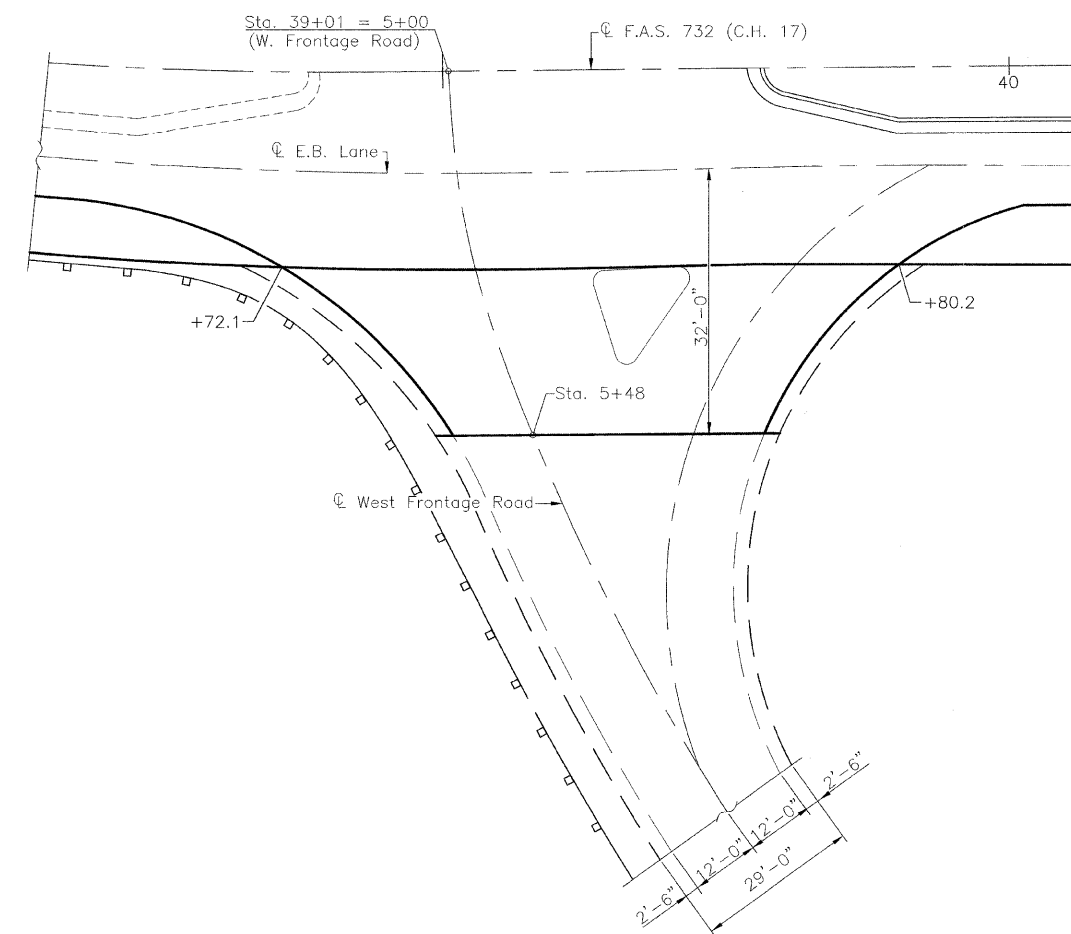


ROUTE	SECTION	COUNTY	TOTAL SHEETS	SHEET NO.
C.H. 17	*	MONTGOMERY	41	9
PROJECT * 07-00125-01-RS				

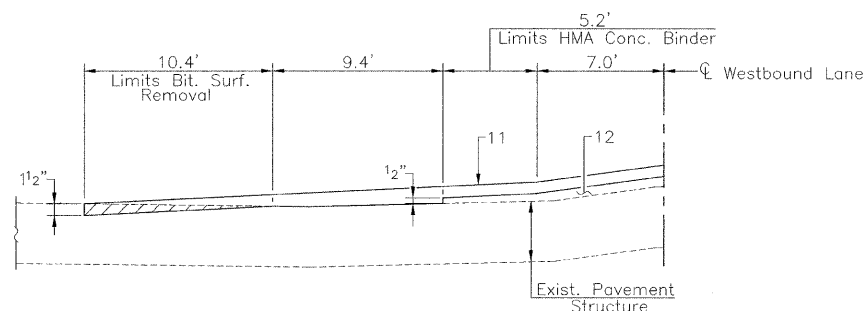


WEST FRONTAGE ROAD INTERSECTION (NORTH)

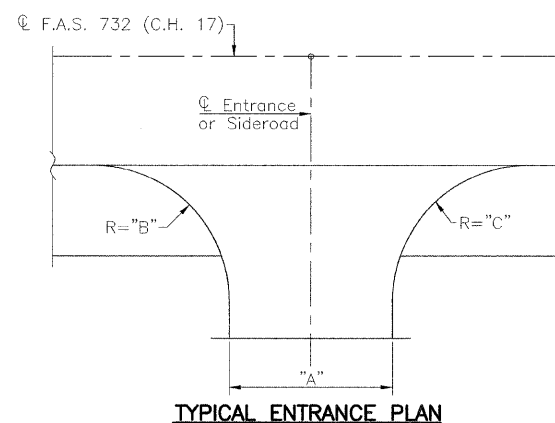
- PAVEMENT LEGEND**
- Existing Aggregate Base (±8" min.)
 - Existing Hot Mix Asphalt Overlay (±3" min.)
 - Existing P.C.C. Pavement 8"
 - Existing Stabilized Sub-Base 4"
 - Existing Aggregate Wedge
 - Existing Aggregate Shoulders 8"
 - Existing Stabilized Shoulders 8"
 - Existing Type B-6.12 Gutter
 - Existing Hot Mix Asphalt Surface Removal 3"
 - Existing Concrete Median Surface Removal
 - Proposed Hot Mix Asphalt Surface Course, Mix. D, N70 1½" min.
 - Proposed Hot Mix Asphalt Leveling Binder (Machine Method) N70 - (Variable Depth)
 - Proposed Hot Mix Asphalt Base Course Widening 8"
 - Proposed Hot Mix Asphalt Binder Course IL-19.0 N70 (8½")
 - Proposed Hot Mix Asphalt Shoulders
 - Proposed Turf Median
 - Proposed Concrete Curb & Gutter Removal and Replacement, Type M6.06 (Special)
 - Proposed Pavement Marking 4"
 - Proposed Aggregate Shoulders, Type B
 - Proposed P.C.C. Sidewalk 4"
 - Proposed Sub-base Granular Material 4"
 - Proposed Storm Sewers, Class A, Type 1 8"
 - Proposed Pipe Underdrains 4"
 - Proposed Temporary Pavement Marking 4"
 - Proposed Earth Shoulder



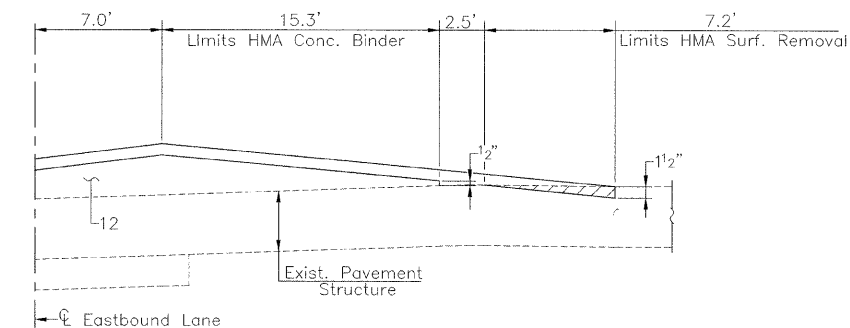
WEST FRONTAGE ROAD INTERSECTION (SOUTH)



TAPER DETAIL - WEST FRONTAGE (NORTH)
(Sta. 39+01)



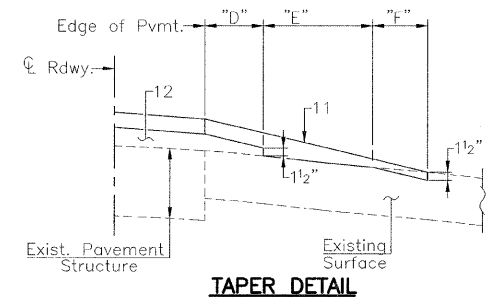
TYPICAL ENTRANCE PLAN



TAPER DETAIL - WEST FRONTAGE ROAD (SOUTH)
(Sta. 39+01)

ENTRANCE AND SIDE ROAD - DIMENSIONS

LOCATION	"A" (Foot)	"B" (Foot)	"C" (Foot)	"D" (Foot)	"E" (Foot)	"F" (Foot)
C.E. - Sta. 22+95 Lt.	55	20	27	4'	3.5'	5'
C.E. - Sta. 23+17.5 Rt.	35	0	0	3	3	12
Newton Street - Sta. 23+82.5 Rt.	37	35	15	10	3	5
Newton Street - Sta. 25+29 Lt.	40	16	25	8	5	5
Cleveland Street Sta. 27+58 Lt.	50	23	20	9	3	6
Cleveland Street Sta. 27+58 Rt.	50	15	15	9	3	6
East Street - Sta. 31+96 Lt.	42	20	20	3	0	10
East Street - Sta. 31+96 Rt.	42	20	25	3	0	10
Sedentop Road - Sta. 35+51.5 Rt.	34	20	20	3	0	7.5
Total						



TAPER DETAIL

DETAILS & TYPICAL SECTIONS
F.A.S. 732 (C.H. 17)
(FARMERSVILLE OVERPASS)
SECTION 07-00125-01-RS
MONTGOMERY COUNTY