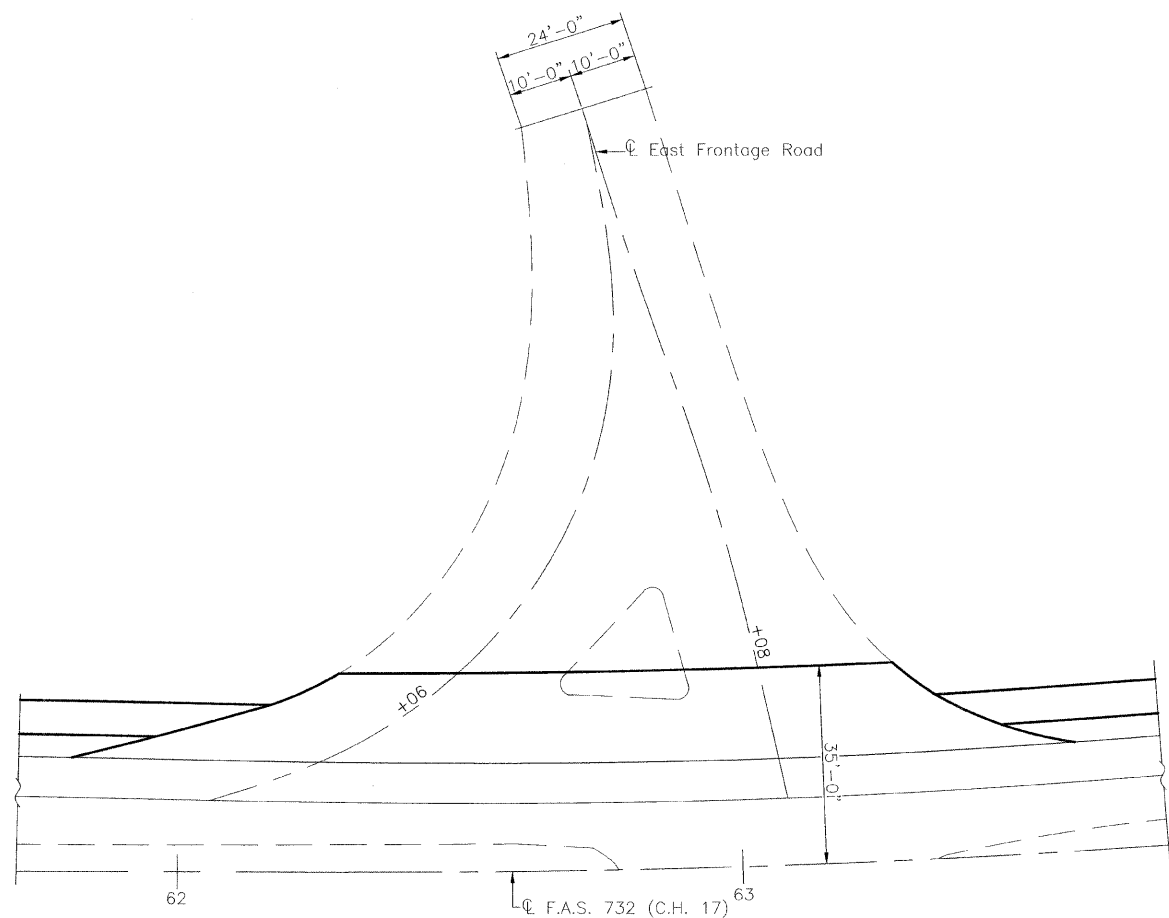
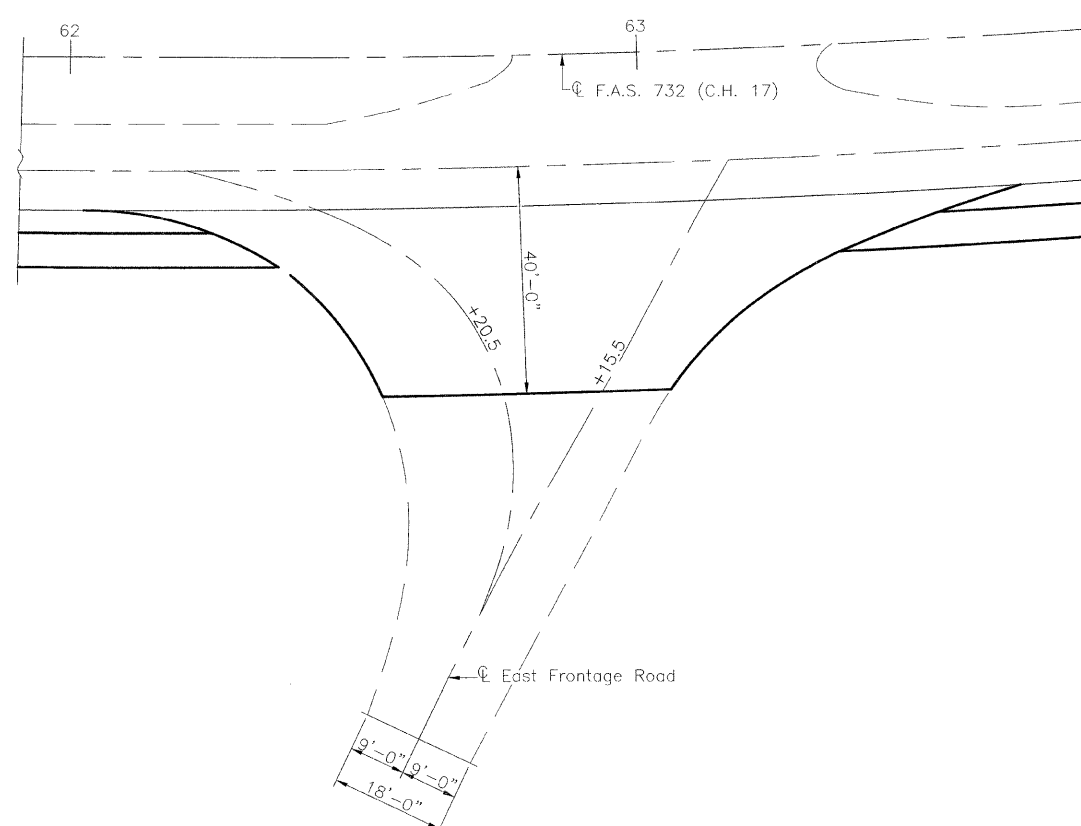


RTE.	SECTION	COUNTY	TOTAL SHEETS	SHEET NO.
C.H. 17	*	MONTGOMERY	41	12

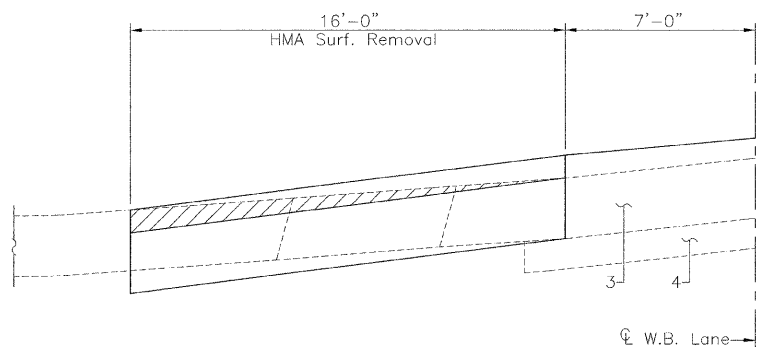
PROJECT * 07-00125-01-RS



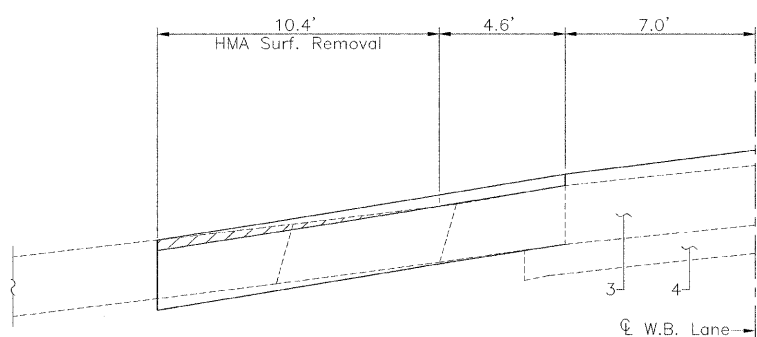
EAST FRONTAGE ROAD INTERSECTION



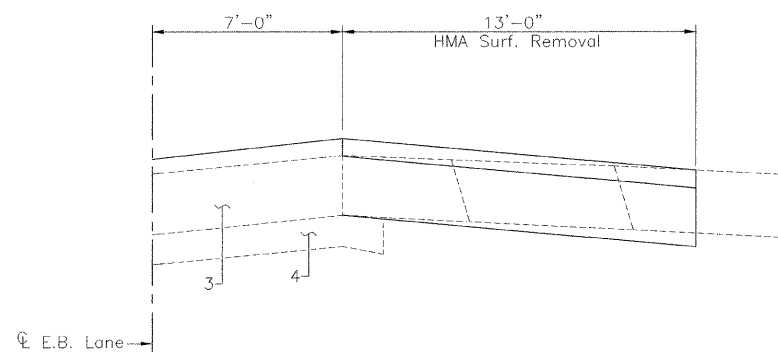
MINE ROAD INTERSECTION



EAST FRONTAGE ROAD TAPER DETAIL +08



EAST FRONTAGE ROAD TAPER DETAIL +06



MINE ROAD TAPER DETAIL

PAVEMENT LEGEND

- Existing Aggregate Base (±8" min.)
- Existing Hot Mix Asphalt Overlay (±3" min.)
- Existing P.C.C. Pavement 8"
- Existing Stabilized Sub-Base 4"
- Existing Aggregate Wedge
- Existing Aggregate Shoulders 8"
- Existing Stabilized Shoulders 8"
- Existing Type B-6.12 Gutter
- Existing Hot Mix Asphalt Surface Removal 3"
- Existing Concrete Median Surface Removal
- Proposed Hot Mix Asphalt Surface Course, Mix. D, N70 1 1/2" min.
- Proposed Hot Mix Asphalt Leveling Binder (Machine Method) N70 - (Variable Depth)
- Proposed Hot Mix Asphalt Base Course Widening 8"
- Proposed Hot Mix Asphalt Binder Course IL-19.0 N70 (8 1/2")
- Proposed Hot Mix Asphalt Shoulders
- Proposed Turf Median
- Proposed Concrete Curb & Gutter Removal and Replacement, Type M6.06 (Special)
- Proposed Pavement Marking 4"
- Proposed Aggregate Shoulders, Type B
- Proposed P.C.C. Sidewalk 4"
- Proposed Sub-base Granular Material 4"
- Proposed Storm Sewers, Class A, Type 1 8"
- Proposed Pipe Underdrains 4"
- Proposed Temporary Pavement Marking 4"
- Proposed Earth Shoulder

**DETAILS & TYPICAL SECTIONS
CROSS SECTIONS
C.H. 17 (FARMERSVILLE OVERPASS)
SECTION 07-00125-01-RS
MONTGOMERY COUNTY**