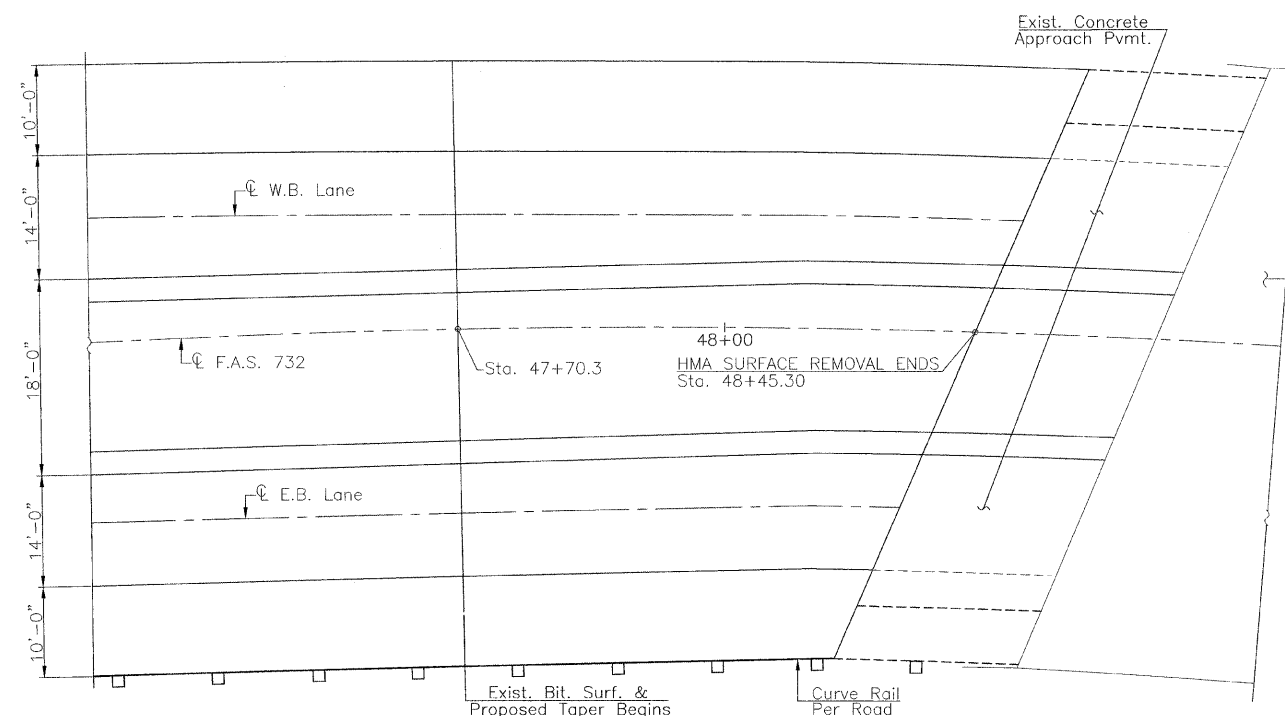
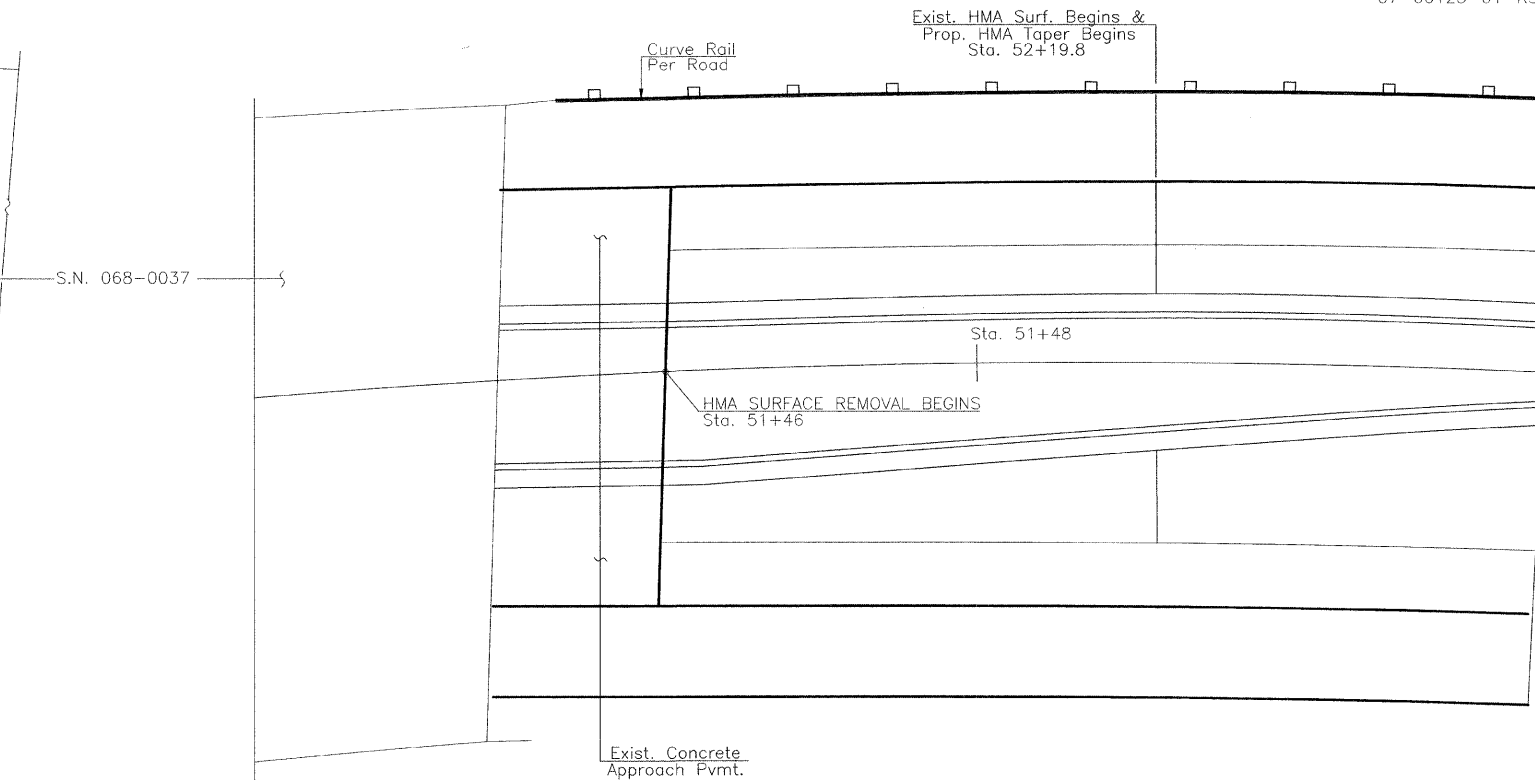


RTE.	SECTION	COUNTY	TOTAL SHEETS	SHEET NO.
C.H. 17	*	MONTGOMERY	41	13

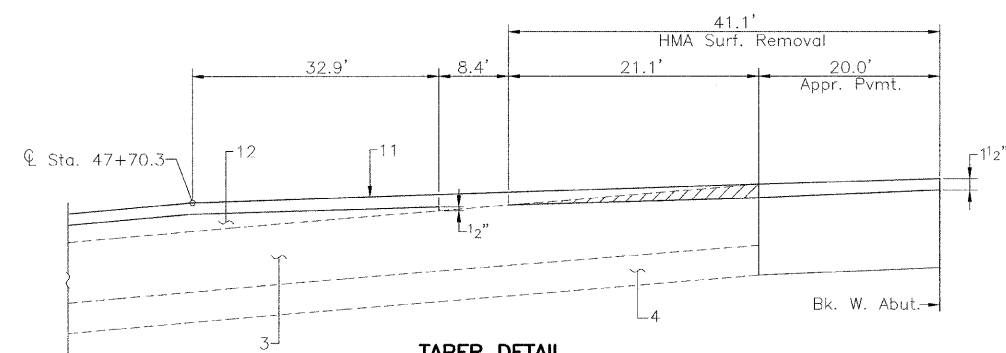
PROJECT * 07-00125-01-RS



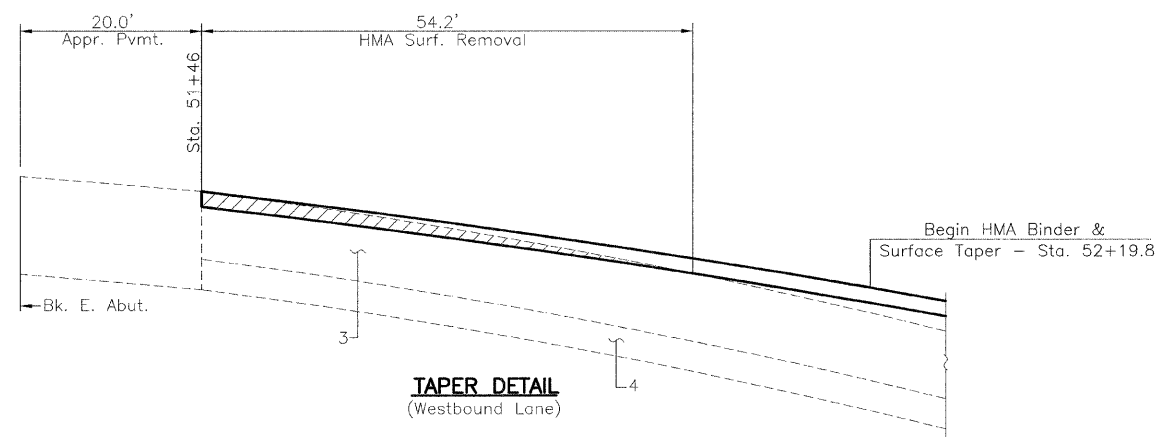
TAPER DETAIL PLAN



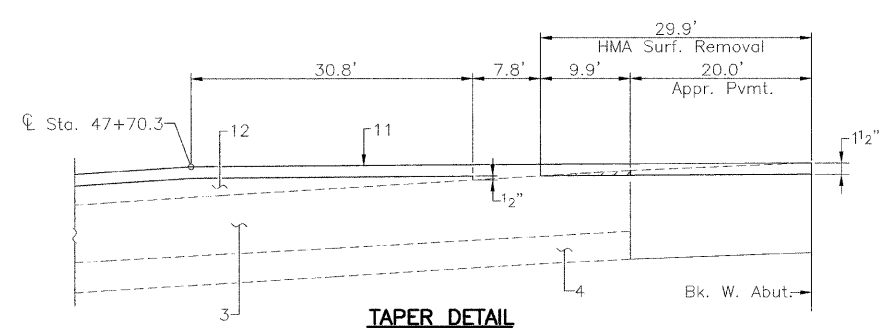
S.N. 068-0037



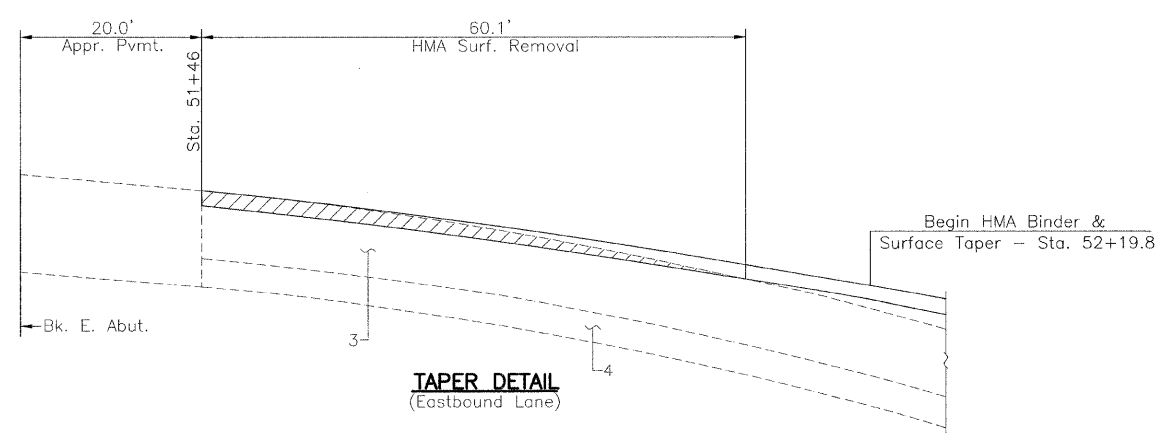
TAPER DETAIL
(Westbound Lane)



TAPER DETAIL
(Westbound Lane)



TAPER DETAIL
(Eastbound Lane)



TAPER DETAIL
(Eastbound Lane)

PAVEMENT LEGEND

1. Existing Aggregate Base (±8" min.)
2. Existing Hot Mix Asphalt Overlay (±3" min.)
3. Existing P.C.C. Pavement 8"
4. Existing Stabilized Sub-Base 4"
5. Existing Aggregate Wedge
6. Existing Aggregate Shoulders 8"
7. Existing Stabilized Shoulders 8"
8. Existing Type B-6.12 Gutter
9. Existing Hot Mix Asphalt Surface Removal 3"
10. Existing Concrete Median Surface Removal
11. Proposed Hot Mix Asphalt Surface Course, Mix. D, N70 1 1/2" min.
12. Proposed Hot Mix Asphalt Leveling Binder (Machine Method) N70 - (Variable Depth)
13. Proposed Hot Mix Asphalt Base Course Widening 8"
14. Proposed Hot Mix Asphalt Binder Course IL-19.0 N70 (8 1/2")
15. Proposed Hot Mix Asphalt Shoulders
16. Proposed Turf Median
17. Proposed Concrete Curb & Gutter Removal and Replacement, Type M6.06 (Special)
18. Proposed Pavement Marking 4"
19. Proposed Aggregate Shoulders, Type B
20. Proposed P.C.C. Sidewalk 4"
21. Proposed Sub-base Granular Material 4"
22. Proposed Storm Sewers, Class A, Type 1 8"
23. Proposed Pipe Underdrains 4"
24. Proposed Temporary Pavement Marking 4"
25. Proposed Earth Shoulder

DETAILS & TYPICAL SECTIONS
CROSS SECTIONS
C.H. 17 (FARMERSVILLE OVERPASS)
SECTION 07-00125-01-RS
MONTGOMERY COUNTY

P.L.E. DRAWN: TD (REV. 7/14/06)