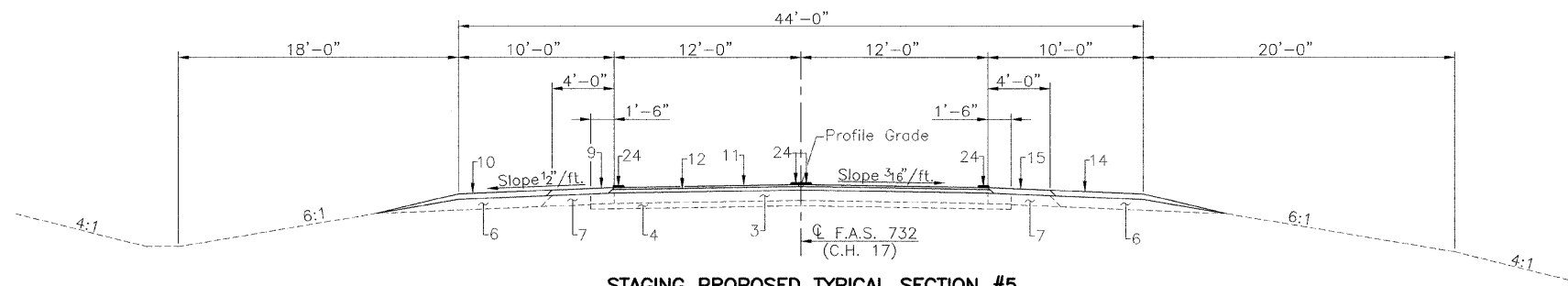


RTE.	SECTION	COUNTY	TOTAL SHEETS	SHEET NO.
C.H. 17	*	MONTGOMERY	41	21

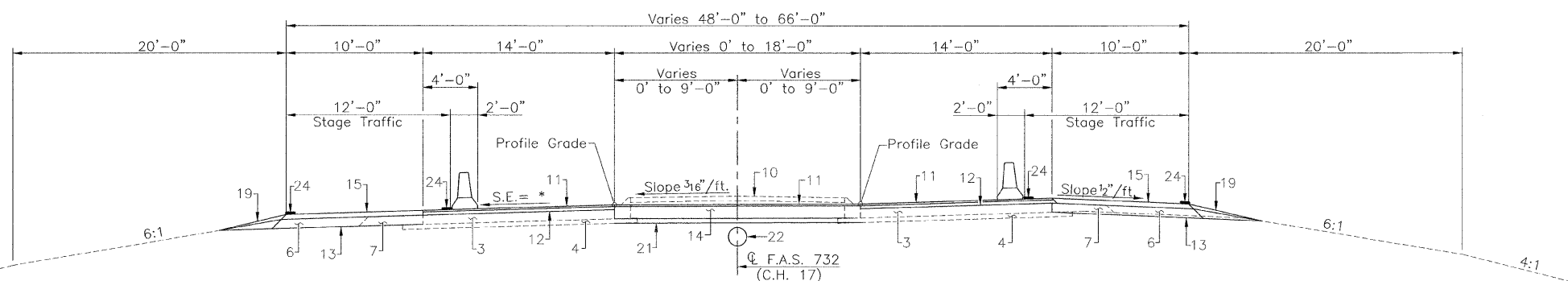
PROJECT * 07-00125-01-RS

PAVEMENT LEGEND

1. Existing Aggregate Base (±8" min.)
2. Existing Hot Mix Asphalt Overlay (±3" min.)
3. Existing P.C.C. Pavement 8"
4. Existing Stabilized Sub-Base 4"
5. Existing Aggregate Wedge
6. Existing Aggregate Shoulders 8"
7. Existing Stabilized Shoulders 8"
8. Existing Type B-6.12 Gutter
9. Existing Hot Mix Asphalt Surface Removal 3"
10. Existing Concrete Median Surface Removal
11. Proposed Hot Mix Asphalt Surface Course, Mix. D, N70 1 1/2" min.
12. Proposed Hot Mix Asphalt Leveling Binder (Machine Method) N70 -- (Variable Depth)
13. Proposed Hot Mix Asphalt Base Course Widening 8"
14. Proposed Hot Mix Asphalt Binder Course IL-19.0 N70 (8 1/2")
15. Proposed Hot Mix Asphalt Shoulders
16. Proposed Turf Median
17. Proposed Concrete Curb & Gutter Removal and Replacement, Type M6.06 (Special)
18. Proposed Pavement Marking 4"
19. Proposed Aggregate Shoulders, Type B
20. Proposed P.C.C. Sidewalk 4"
21. Proposed Sub-base Granular Material 4"
22. Proposed Storm Sewers, Class A, Type 1 8"
23. Proposed Pipe Underdrains 4"
24. Proposed Temporary Pavement Marking 4"
25. Proposed Earth Shoulder



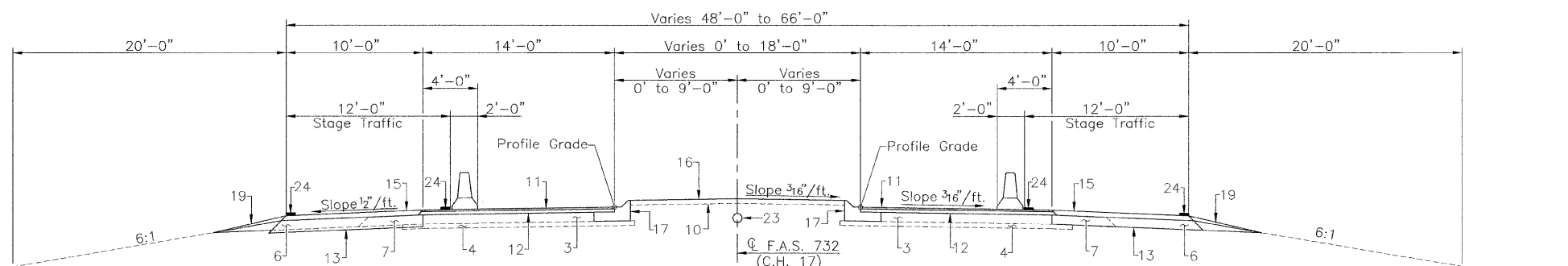
STAGING PROPOSED TYPICAL SECTION #5
(Sta. 33+92 to Sta. 34+50)



STAGING PROPOSED TYPICAL SECTION #6

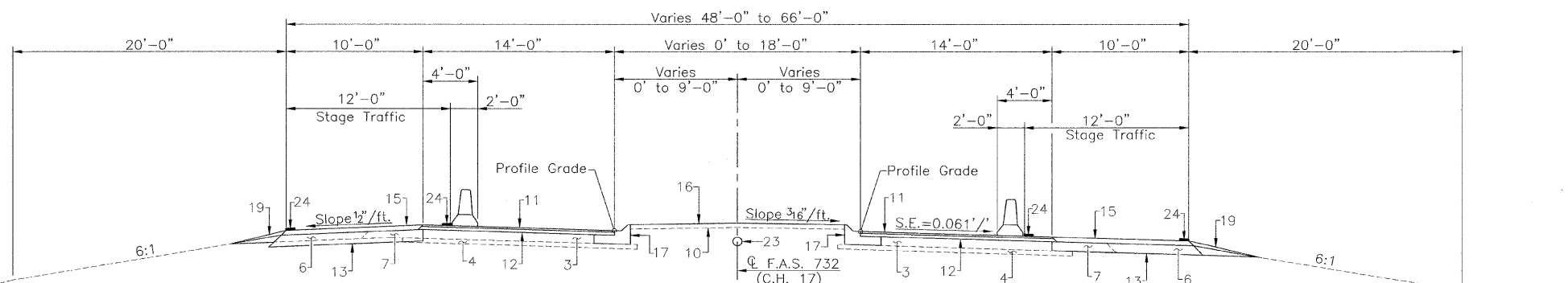
* - S.E. = 0.035' / ft. - Sta. 35+91.04 to Sta. 39+53.64
S.E. = 0.037' / ft. - Sta. 61+30.16 to Sta. 67+00.00

Note: HMA Overlay thickness is 2" from Sta. 61+30.16 to Sta. 65+00 and varies with 2" min. from Sta. 65+00 to Sta. 67+00



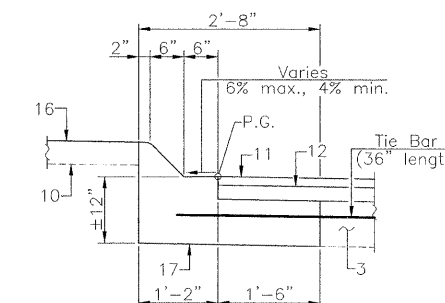
STAGING PROPOSED TYPICAL SECTION #7

Note: HMA Overlay thickness is 2" from Sta. 59+29.48 to Sta. 61+30.16



STAGING PROPOSED TYPICAL SECTION #8

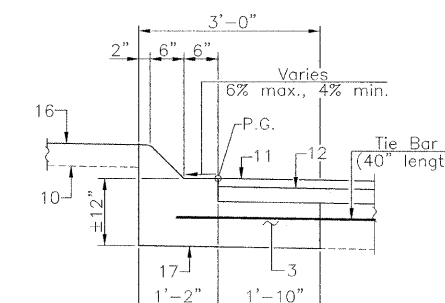
(Sta. 46+39.96 to Sta. 59+29.48) **
(Bridge Omission - Sta. 48+45.30 to Sta. 51+46.00)



COMBINATION CURB & GUTTER DETAIL TYPE M6.06 (SPECIAL)

(Connect Curb to Exist. Pavement per Std. 606001)

(Sta. 39+54.50 to Sta. 44+93 Rt., Sta. 45+65.50 to Sta. 48+33 Lt., Sta. 45+65.50 to Sta. 48+23 Rt. & Sta. 51+66 to Sta. 55+97 Lt. & Rt.)



COMBINATION CURB & GUTTER DETAIL TYPE M6.06 (SPECIAL)

(Connect Curb to Exist. Pavement per Std. 606001)

(Sta. 39+54.50 to Sta. 44+93 Lt.)

STAGE CONSTRUCTION TRAFFIC DETAILS

F.A.S. 732 (C.H. 17)
(FARMERSVILLE OVERPASS)
SECTION 04-00125-01-RS
MONTGOMERY COUNTY