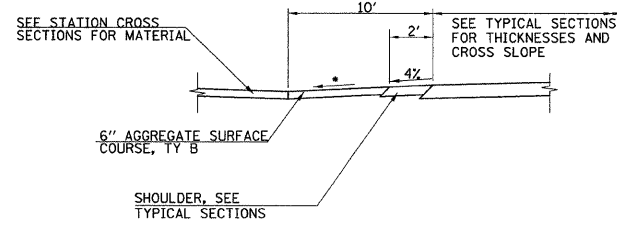
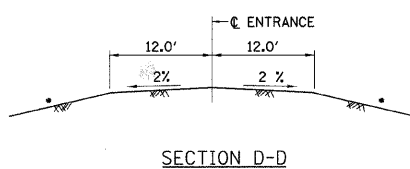
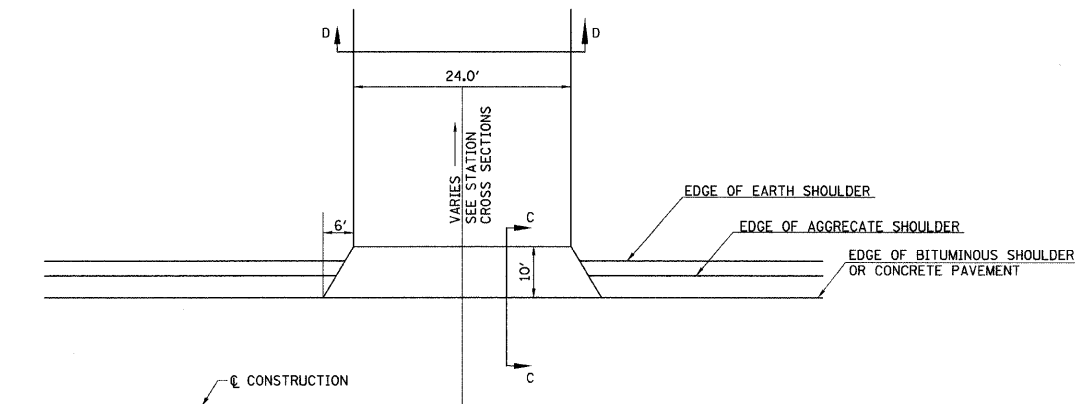
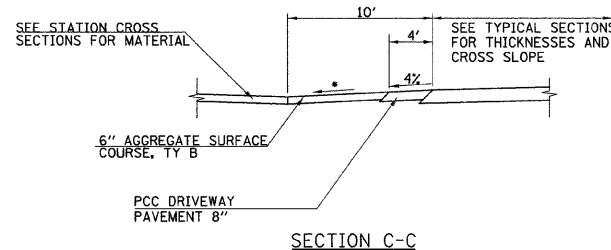
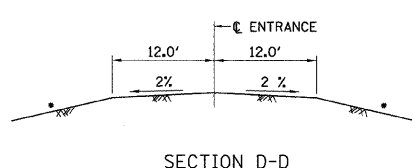
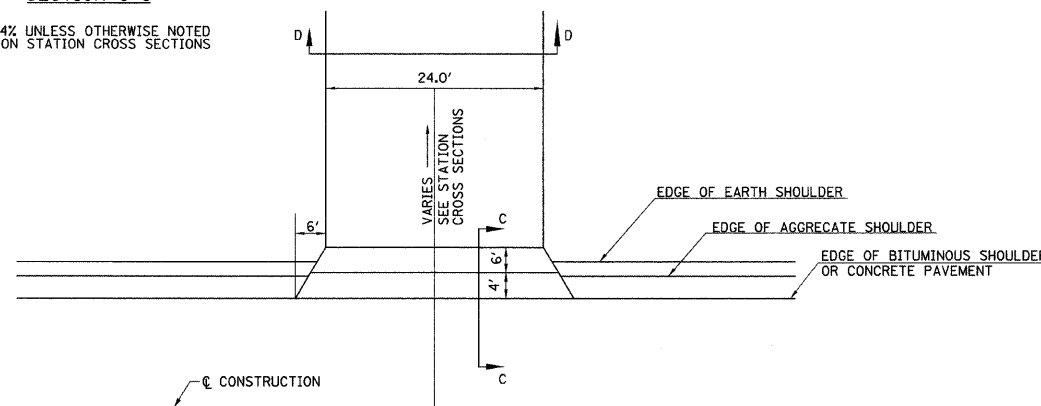


PRIVATE AND FIELD ENTRANCES								
STATION	WIDTH	COMMENT	P.E. / F.E.	INCIDENTAL HMA SURF.	AGG. BASE CSE, TYB	AGG. SURFACE CSE, TYB	BIT. MAT. (PRIME COAT)	PCC DRIVEWAY PAVEMENT 8"
				TON	TON	TON	GALLON	SO YD
40+24 RT	16'	C. H. 18	P.E.			23.4		26.2
43+12 LT	24'	C. H. 18	F.E.			15.1		33.2
43+46 LT	24'	C. H. 18	F.E.					
535+38 LT	35'	IL RTE 121	P.E.	5.1	8.7	21.0	9.2	
537+24 LT	24'	IL RTE 121	F.E.			4.1		
538+29 LT	24'	IL RTE 121	F.E.			4.1		
547+94 LT	24'	IL RTE 121	F.E.			4.1		
549+16 LT	24'	IL RTE 121	F.E.			4.1		
TOTALS				5.1	8.7	75.9	9.2	59.4

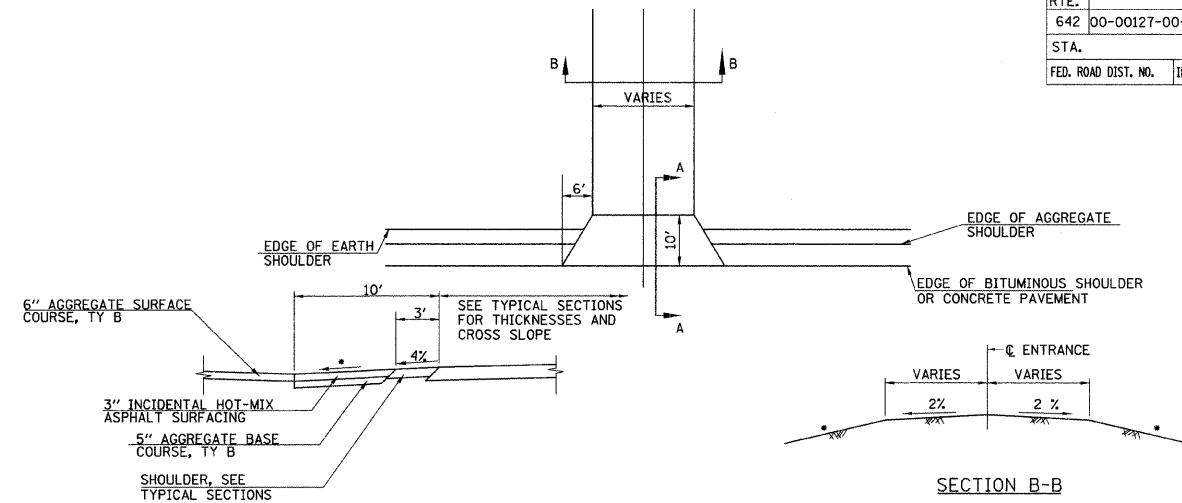
F.A.S. RTE.	SECTION	COUNTY	TOTAL SHEETS	SHEET NO.
642	00-00127-00-WR	COLES	91	47
STA.	TO STA.			
FED. ROAD DIST. NO.	ILLINOIS	FED. AID PROJECT		



TYPICAL FIELD ENTRANCE DETAIL (IL 121)

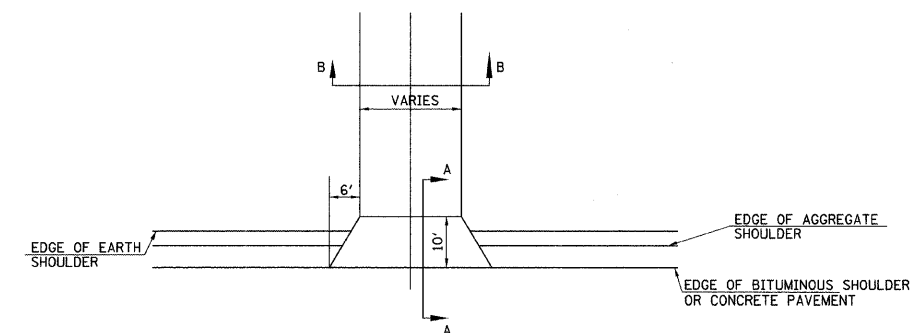


TYPICAL FIELD ENTRANCE DETAIL (CH 18)



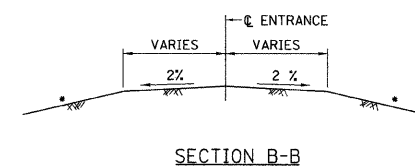
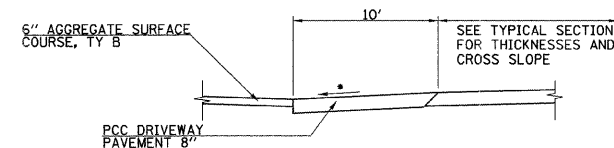
SECTION A-A  
 \* 4% UNLESS OTHERWISE NOTED ON STATION CROSS SECTIONS

PRIVATE ENTRANCE DETAIL (IL 121 STA. 535+38)



SECTION A-A  
 \* 4% UNLESS OTHERWISE NOTED ON STATION CROSS SECTIONS

PRIVATE ENTRANCE DETAIL (C.H. 18 STA. 40+24)



REVISIONS	
NAME	DATE

ILLINOIS DEPARTMENT OF TRANSPORTATION

ENTRANCE DETAILS

SCALE: VERT. HORIZ. DATE 02/28/2008

DRAWN BY SJF CHECKED BY MED