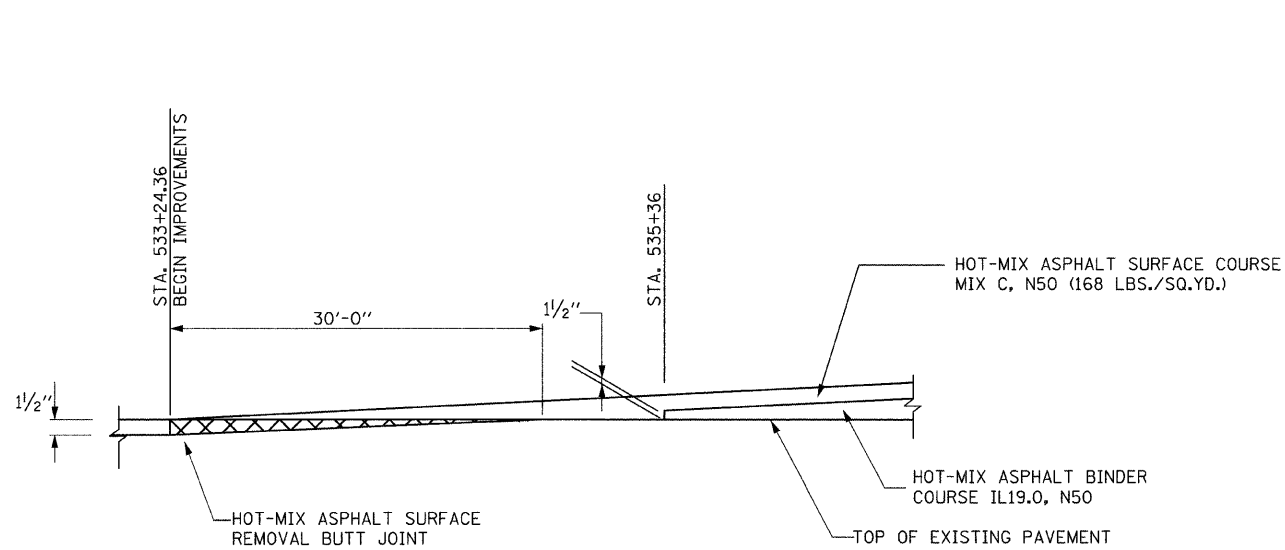
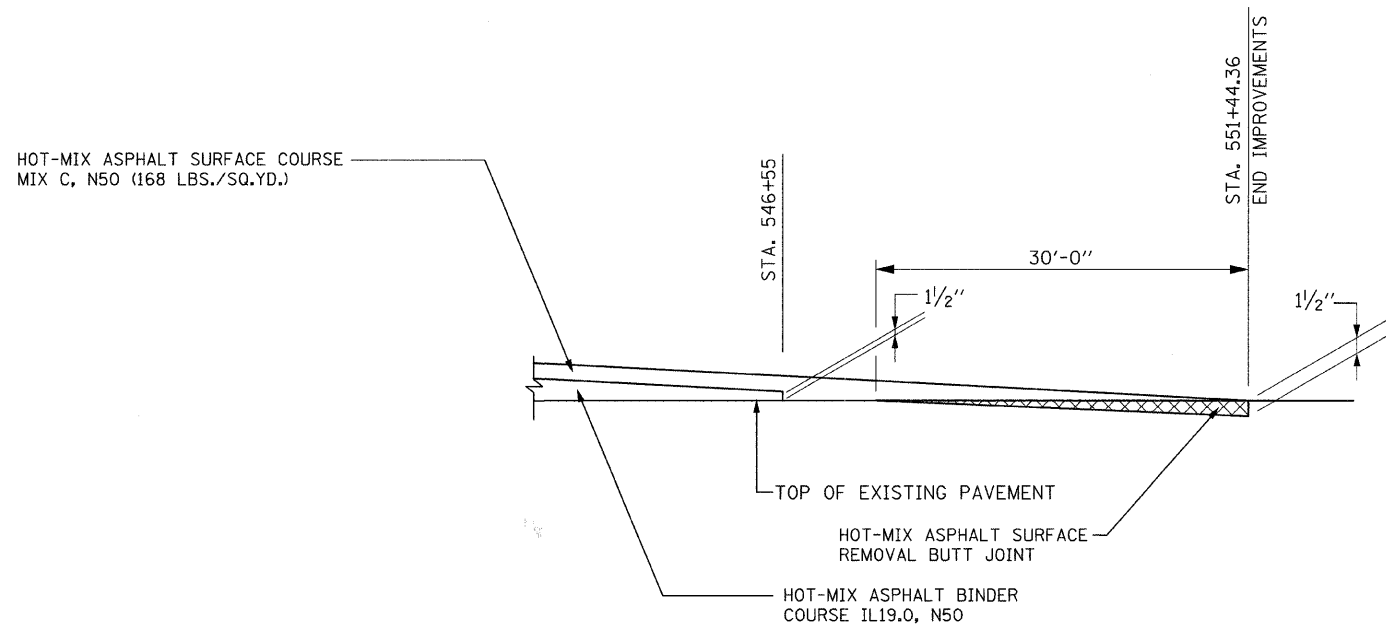


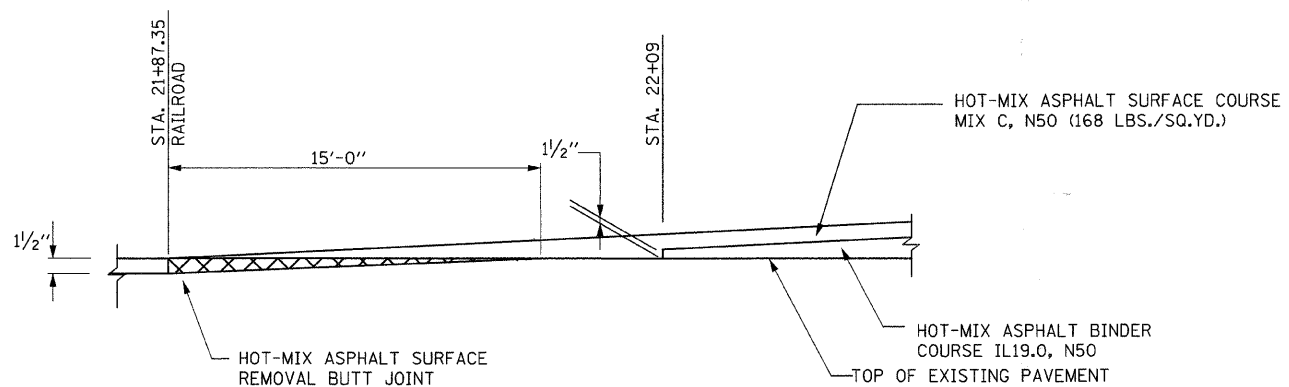
F.A.S. RTE.	SECTION	COUNTY	TOTAL SHEETS	SHEET NO.
642	00-00127-00-WR	COLES	91	50
STA.		TO STA.		
FED. ROAD DIST. NO.		ILLINOIS	FED. AID PROJECT	



**BUTT JOINT DETAIL STA. 533+24.36 IL 121**



**BUTT JOINT DETAIL STA. 551+44.36 IL 121**



**BUTT JOINT DETAIL STA. 21+87.35 C.H. 18**

REVISIONS	
NAME	DATE

ILLINOIS DEPARTMENT OF TRANSPORTATION

**BUTT JOINT DETAILS**

SCALE: VERT.  
HORIZ.  
DATE 02/28/2008

DRAWN BY SJF  
CHECKED BY MED

TUG PROJ. #303027  
...\\WHITEPOND\DESIGN\SHEETDETAILS.GRD