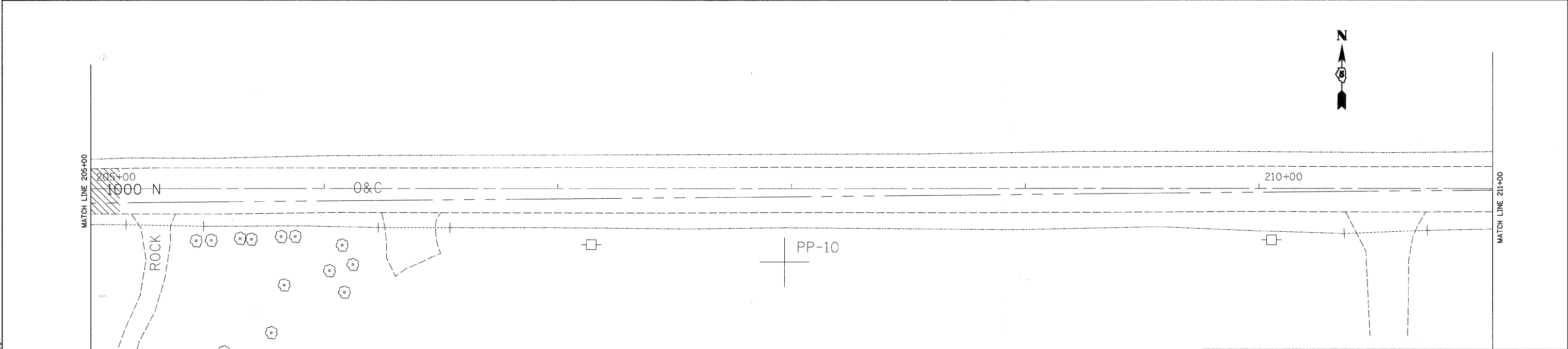
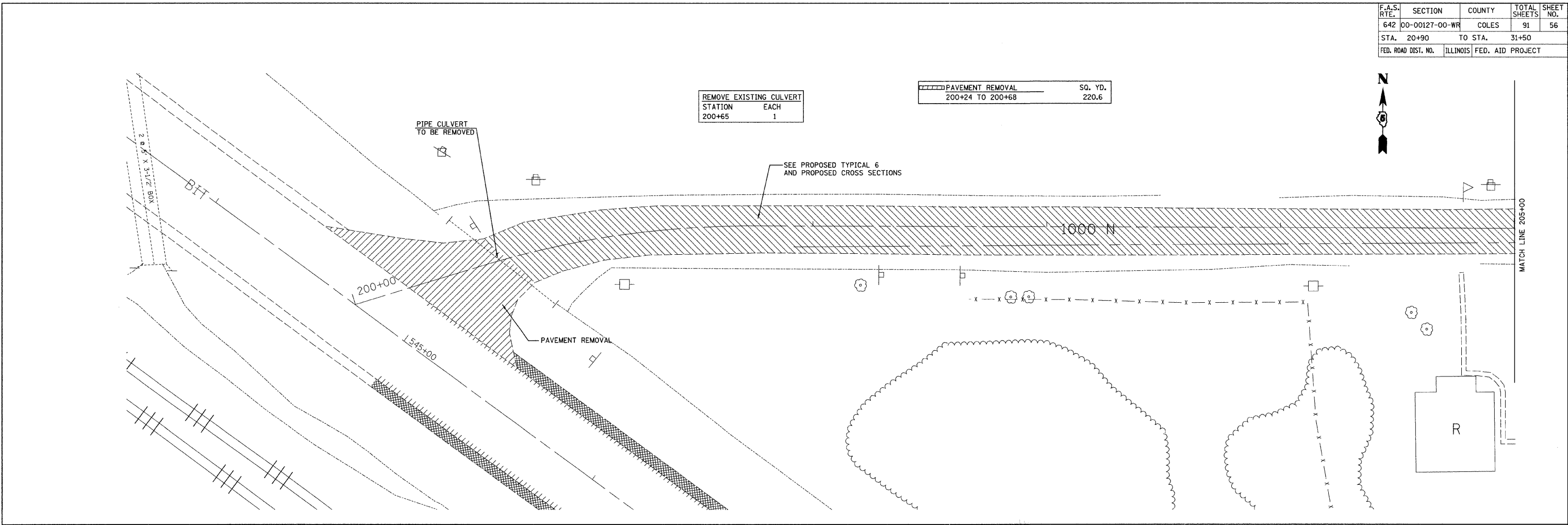


F.A.S. RTE.	SECTION	COUNTY	TOTAL SHEETS	SHEET NO.
642	00-00127-00-WR	COLES	91	56
STA. 20+90	TO STA. 31+50			
FED. ROAD DIST. NO.	ILLINOIS	FED. AID PROJECT		



TUG PROJ. #3103027  
...whitfopping\sheetremoval.dgn

REVISIONS	
NAME	DATE

ILLINOIS DEPARTMENT OF TRANSPORTATION

**REMOVAL PLAN**

SCALE: VERT. 1"=20'  
HORIZ. 1"=20'

DATE 02/28/2008

DRAWN BY RLH  
CHECKED BY MED