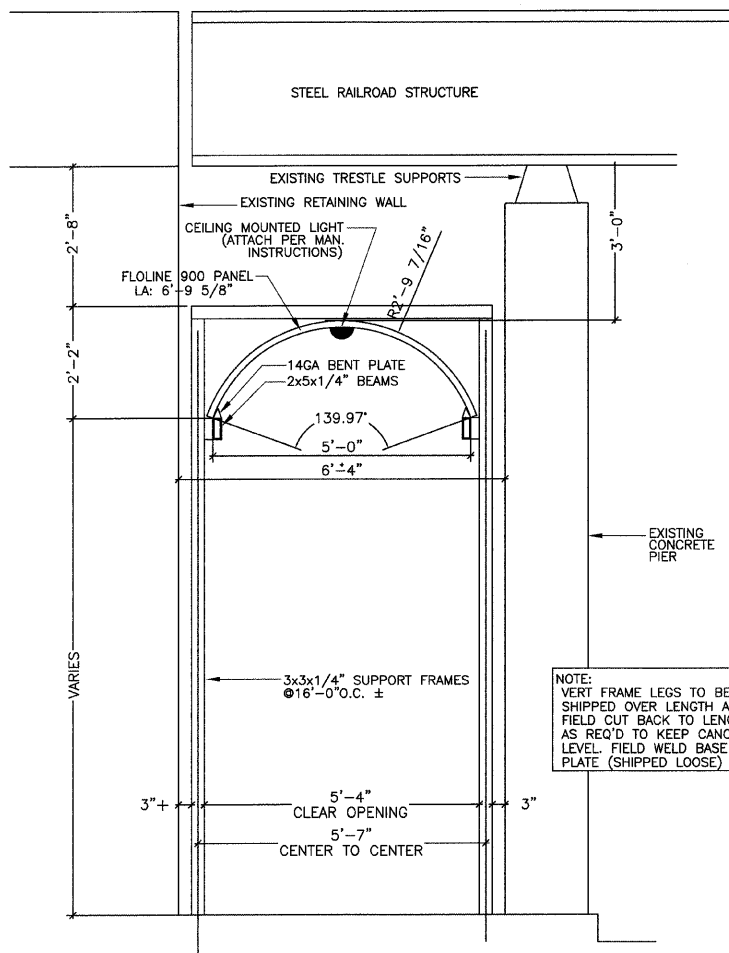
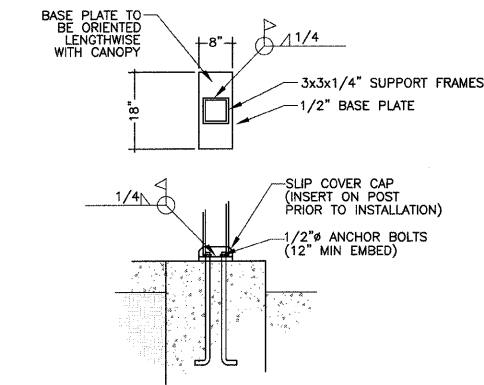


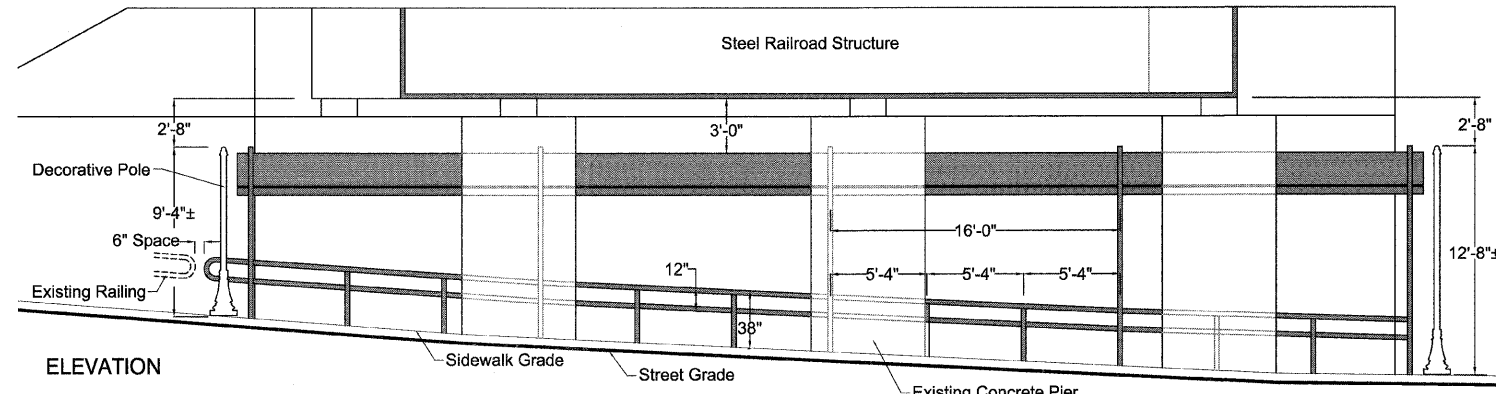
F.A. RTE.	SECTION	COUNTY	TOTAL SHEETS	SHEET NO.
05-0025-00 SW		MACON	106	51
STA. _____		TO STA. _____		
FED. ROAD DIST. NO. - ILLINOIS FED. AID PROJECT				



A - OAKLAND AVENUE - UNDERPASS CANOPY ELEVATION
NOT TO SCALE

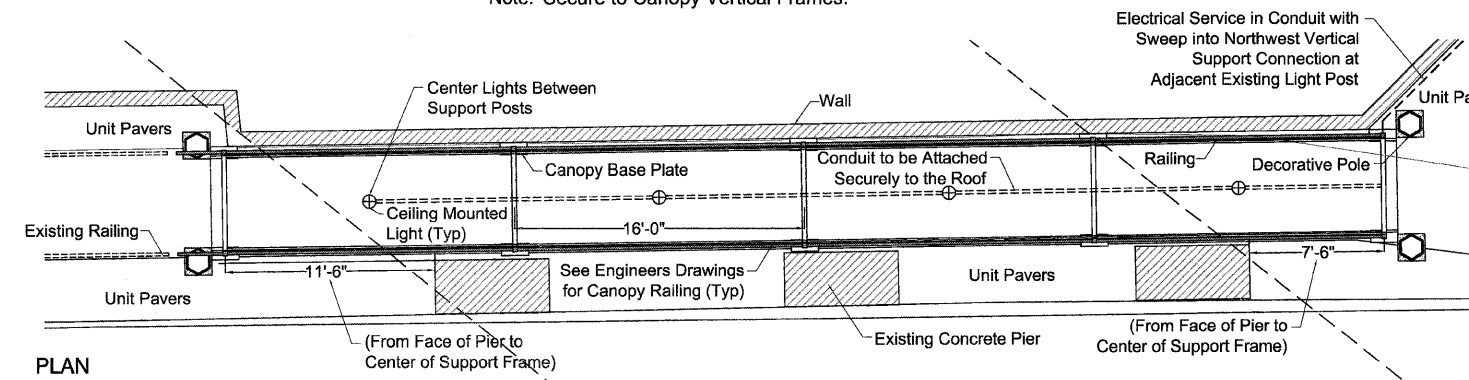


B - UNDERPASS CANOPY - BASE PLATE DETAIL
NOT TO SCALE



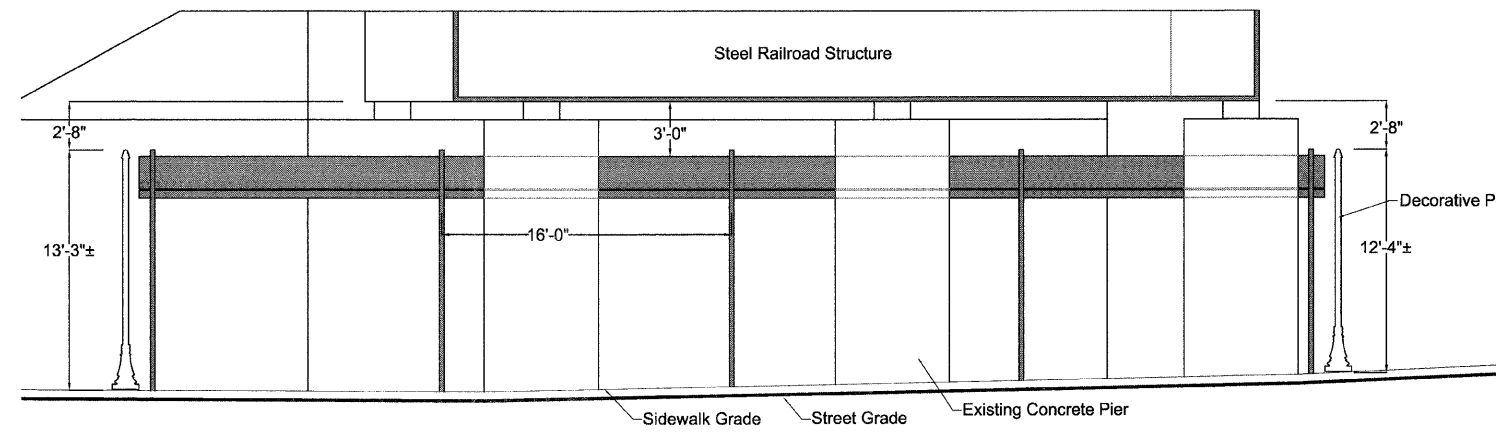
ELEVATION

Note: Secure to Canopy Vertical Frames.



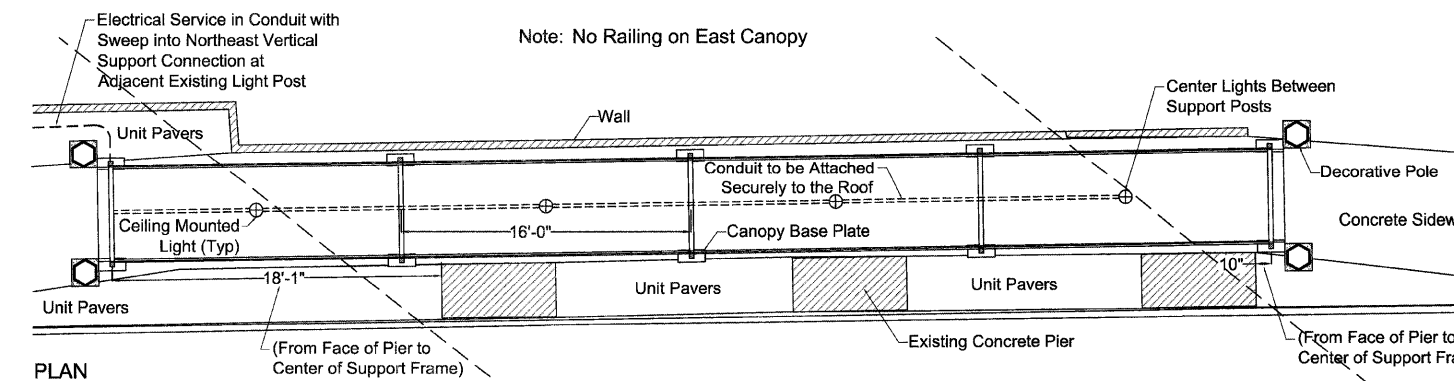
PLAN

C - OAKLAND AVENUE - WEST CANOPY



ELEVATION

Note: No Railing on East Canopy



PLAN

D - OAKLAND AVENUE - EAST CANOPY

- Notes:
1. All conduit routing shown is approximate. Contractor shall determine exact route and provide any conduit fittings, offsets, bends, pull boxes, supports, etc. as necessary to install a complete conduit run.
 2. All device locations shown are approximate. Coordinate exact device locations with Architect, Engineer, other trades, and other plans. Do not scale off electrical drawings.
 3. Verify all electric service details with city of Decatur before starting construction and coordinate work with city, and other contractors.
 4. It is the contractor's responsibility to locate existing underground utilities. Existing utilities may not be shown on plans.
 5. All electric service conduit runs shall be schedule 80 PVC conduit with rigid metal conduit (RMC) long radius bends for sweeps and elbows. Also, use RMC for exposed service conduits. Bond metal sections per NEC requirements. Conduit depth shall be 30" to 36".
 6. Provide warning tape above all underground conduits.
 7. Frame sizes, base plates, and structures are shown for general plan only. Selected manufacturer shall provide designs and drawings as indicated in the Special Provisions.
 8. See "Ramp Railing Details" plans sheet for fabrication notes and details.

Decorative Pole Alternates

- Sternberg Lighting - 3400 Georgetown Series (Shown)
- Spring City Electrical - Parkwood Series Post
- Beacon Lighting - Mainstreet Series Post #AP8224

Canopy Light Alternates

- Lithonia Lighting - VGO5C-42TRT-120-BDLB-LPI
- Luminare Lighting - XOY13-PLT42-120-CP-BLK-CAB
- AllScapes Lighting - BL-44-2-42CFT-120-OP-BK

REV. NO.	DESCRIPTION	BY	DATE	APPROVED
CANOPY DETAILS				
DESIGN DATE 12/07	WEST MAIN STREET PH 2 IMPROVEMENTS CITY OF DECATUR	SCALE		
DRAWN DATE 12/07		PROJECT NO.		
CHECKED DATE 12/07		DATE 1/11/08		
APPROVED DATE	Massie Massie & Associates LAND PLANNING AND LANDSCAPE ARCHITECTURE 421 West Main Street, Decatur, IL 62522 217/424-0792 www.Massie-Massie-Associates.com			L-11