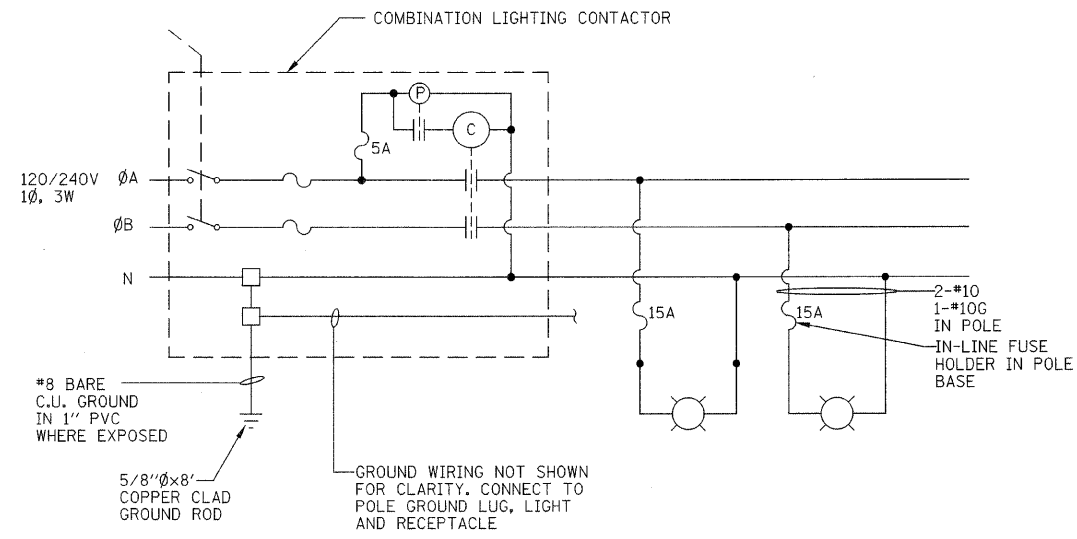


F.A. RTE.	SECTION	COUNTY	TOTAL SHEETS	SHEET NO.
	••	MACON	106	60

STA.	TO STA.
FED. ROAD DIST. NO.	ILLINOIS FED. AID PROJECT

•• 05-00525-00SW



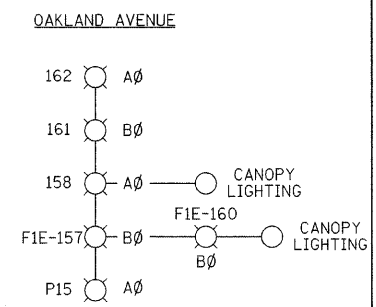
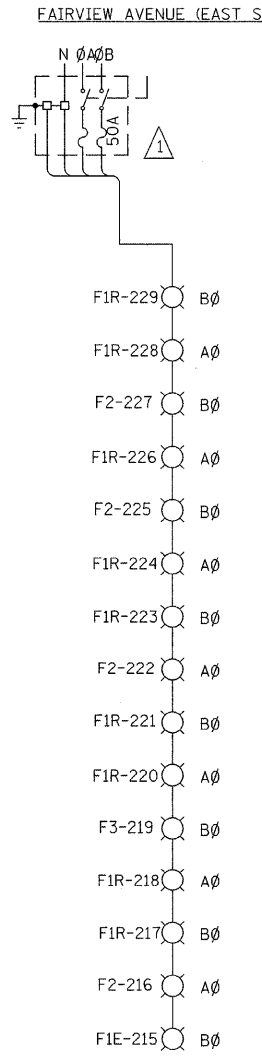
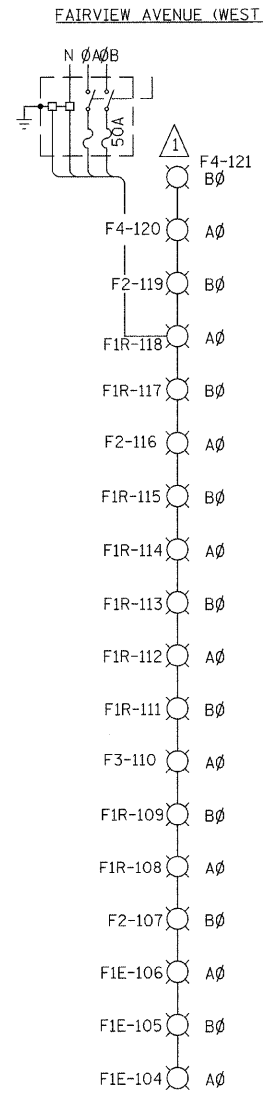
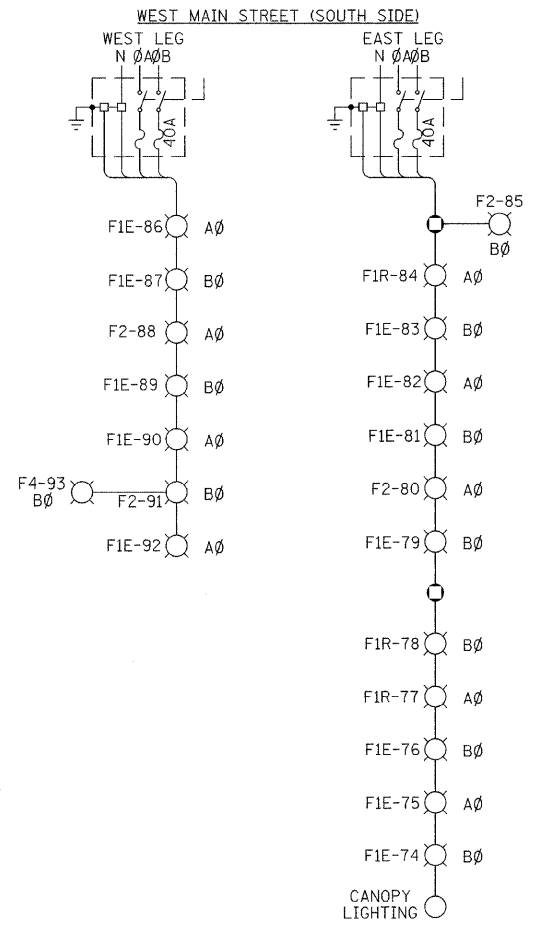
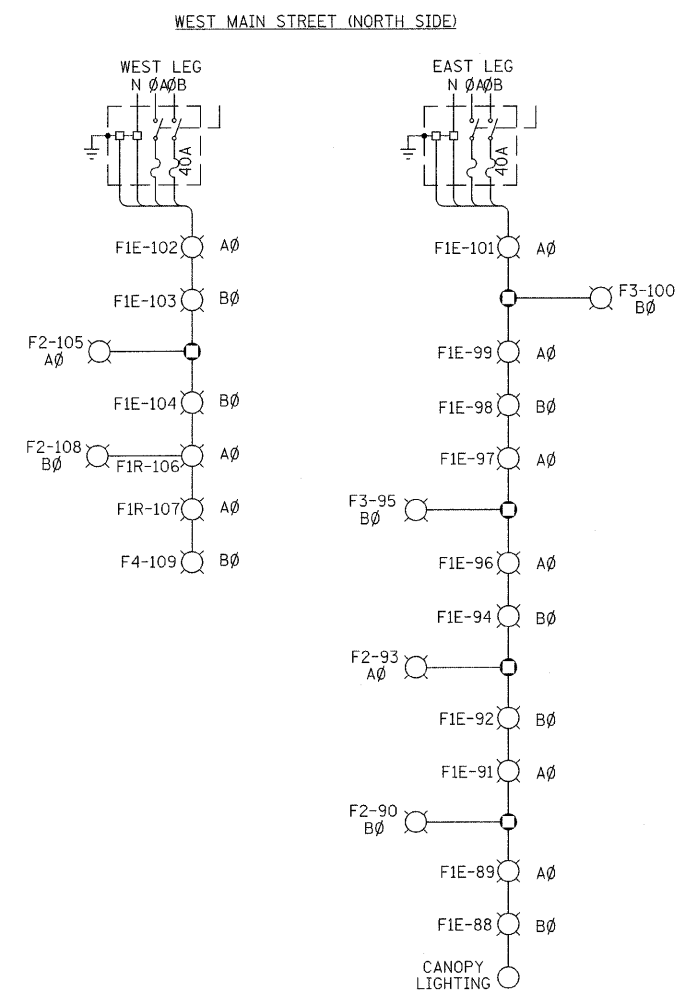
TYPICAL WIRING DIAGRAM (EXISTING)

GENERAL NOTE

1. REM CBL FC0N - ALL CABLE REMOVAL DESIGNATIONS ARE 4 NO. 8 1/C.
 2. ALERNATE PHASES TO BALANCE LOADS AS SHOWN.
 3. COLOR CODING OF WIRES SINGLE PHASE THREE WIRE CIRCUITS SHALL BE COLOR CODED ONE BLACK, ONE RED, ONE WHITE AND INSULATED GROUND SHALL BE GREEN. SINGLE PHASE TWO WIRE CIRCUITS SHALL BE COLOR CODED ONE BLACK, ONE WHITE AND INSULATED GROUND SHALL BE GREEN.
 4. USE 600V STRANDED WIRE TYPE RHW/USE 2 WITH XLP OR EPR INSULATION.
 5. SPLICE FOR MULTIPLE CONDUCTORS (MORE THAN TWO) SHALL BE COPPER COMPRESSION JOINT SLEEVE.
 6. STANDARDS - MATERIALS TO BE INSTALLED ACCORDING TO THE MANUFACTURERS RECOMMENDATIONS, THE NEC, OSHA, THE NESC AND ASHTO'S STANDARD SPECIFICATIONS FOR STRUCTURAL SUPPORTS FOR HIGHWAY SIGNS, LUMINAIRS AND TRAFFIC SIGNALS.
- ⚠ INSTALL (2) SIGNAL POLE 50AMP TYPE OP SIEMENS C.B. AT FAIRVIEW AVENUE LIGHTING PANEL TO REPLACE EXISTING 40AMP C.B. COST INCLUDED IN UNIT PRICE OF VARIOUS ELECTRICAL ITEMS.

LEGEND

○ - GULF BOX JUNCTION



REV. NO.	DESCRIPTION	BY	DATE	APPROVED
LIGHTING AND ELECTRICAL DETAILS				
DESIGN BWC	WEST MAIN STREET IMPROVEMENTS CITY OF DECATUR			SCALE
DATE				BWC PROJECT NO.
DRAWN	BWC BLANK, WESSELINK, COOK & ASSOCIATES, INC.			DATE
DATE				1/08
CHECKED	ARCHITECTS ENGINEERS			DATE
DATE				
APPROVED	2623 EAST PERSHING ROAD, DECATUR, IL 62524 (217) 428-0913 FAX (217) 428-8934			DATE
DATE				