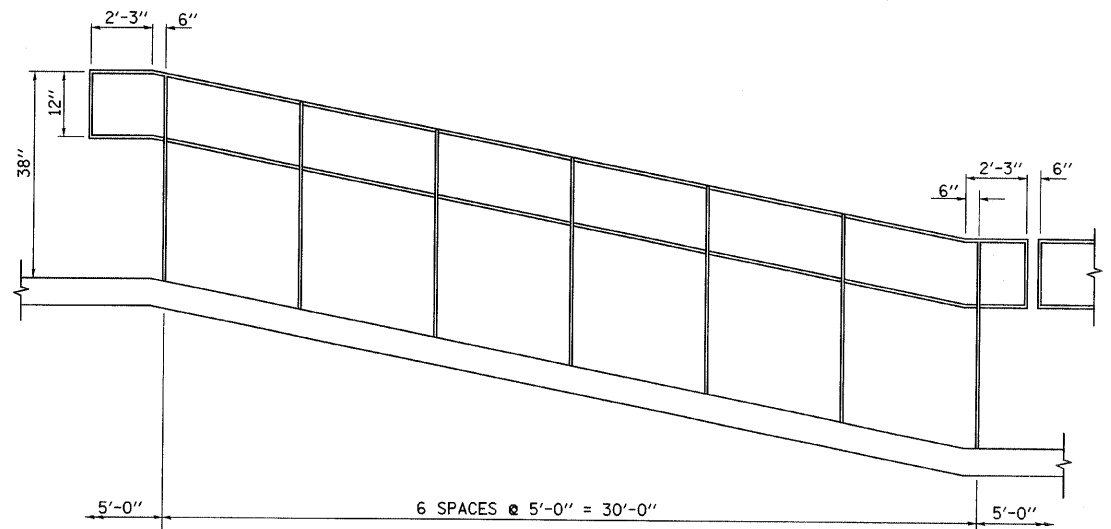
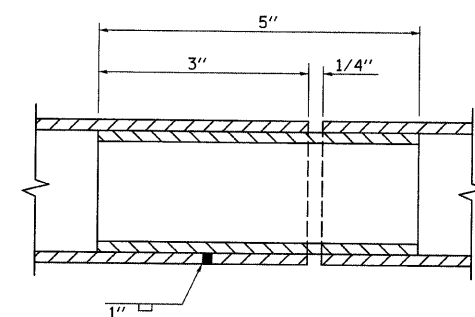


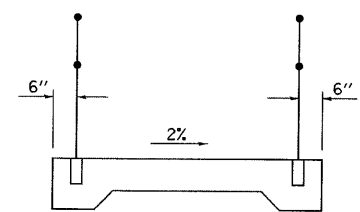
F.A. RTE.	SECTION	COUNTY	TOTAL SHEETS	SHEET NO.
	**	MACON	106	71
STA.		TO STA.		
FED. ROAD DIST. NO.	ILLINOIS	FED. AID PROJECT		
** 05-00525-00SW				



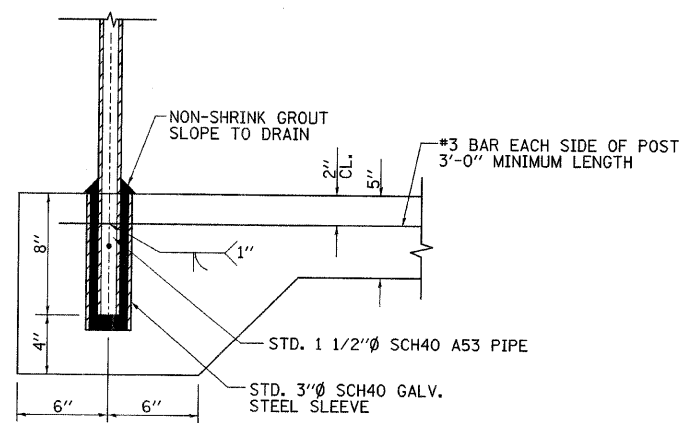
TYPICAL RAILING DETAIL



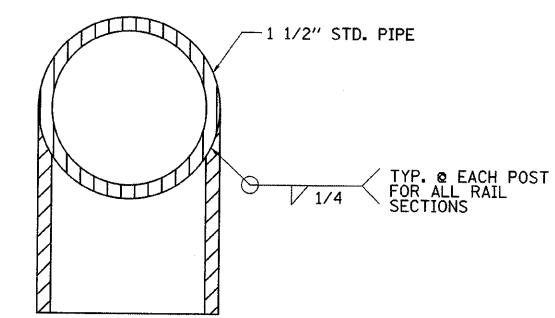
SLIP JOINT DETAIL
(24'-0" MAX. SPA.)



TYPICAL RAILING LOCATION



TYPICAL RAILING ANCHOR DETAIL



WELD JOINT DETAIL

NOTES:

1. RAILING SHALL BE IN ACCORDANCE WITH SECTION 509 OF THE STANDARD SPECIFICATION, EXCEPT AS NOTED.
2. POSTS AND RAILS SHALL BE 1 1/2" SCHEDULE 40, A53 PIPE.
3. RAILING SHALL BE PAINTED IN ACCORDANCE WITH SECTION 506 OF THE STANDARD SPECIFICATIONS. THE FINISH COAT SHALL BE SEMIGLOSS BLACK.
4. ALL RAMP RAILING WILL BE PAID FOR AT THE CONTRACT UNIT PRICE FOR PIPE HANDRAIL, WHICH PRICE SHALL INCLUDE FABRICATION, PAINTING & INSTALLATION OF RAILING.
5. THE CONCRETE RAMP WILL BE PAID FOR AT THE CONTRACT UNIT PRICE FOR PORTLAND CEMENT CONCRETE SIDEWALK SPECIAL, WHICH PRICE SHALL INCLUDE ALL MATERIALS & INSTALLATION OF SIDEWALK, SLEEVE AND REBAR.

REV. NO.	DESCRIPTION	BY	DATE	APPROVED
PIPE HANDRAIL DETAILS				
DESIGN BWC	WEST MAIN STREET IMPROVEMENTS CITY OF DECATUR	SCALE		
DATE		BWC PROJECT NO.		
DRAWN MLO		009-0605		
DATE 12/07		DATE		
CHECKED		12/07		
DATE	APPROVED			
DATE	DATE			
CLIENT APPR.	DATE			
DATE	DATE			