



CORPORATE OFFICE
4940 OLD COLLINSVILLE RD.
SWANSEA, ILLINOIS 62226
TEL (618) 624-4488
FAX (618) 624-6688
corp@twm-inc.com

WATERLOO OFFICE
113 SOUTH MAIN STREET
WATERLOO, ILLINOIS 62298
TEL (618) 939-5050
FAX (618) 939-3938
waterloo@twm-inc.com

ST. LOUIS OFFICE
1001 CRAIG ROAD, SUITE 260
ST. LOUIS, MISSOURI 63146
TEL (314) 236-5052
FAX (314) 872-2194
stlouis@twm-inc.com

PROFESSIONAL REGISTRATIONS	LICENSE NO.
ILLINOIS PROFESSIONAL DESIGN FIRM	184-001220
PROFESSIONAL ENGINEERING CORP.	62-035370
PROFESSIONAL STRUCTURAL ENGR. CORP.	81-005202
ILLINOIS PROF. LAND SURVEYING CORP.	048-000029
MISSOURI PROFESSIONAL ENGR. CORP.	MC 001528
MISSOURI LAND SURVEYING CORP.	MC 000346

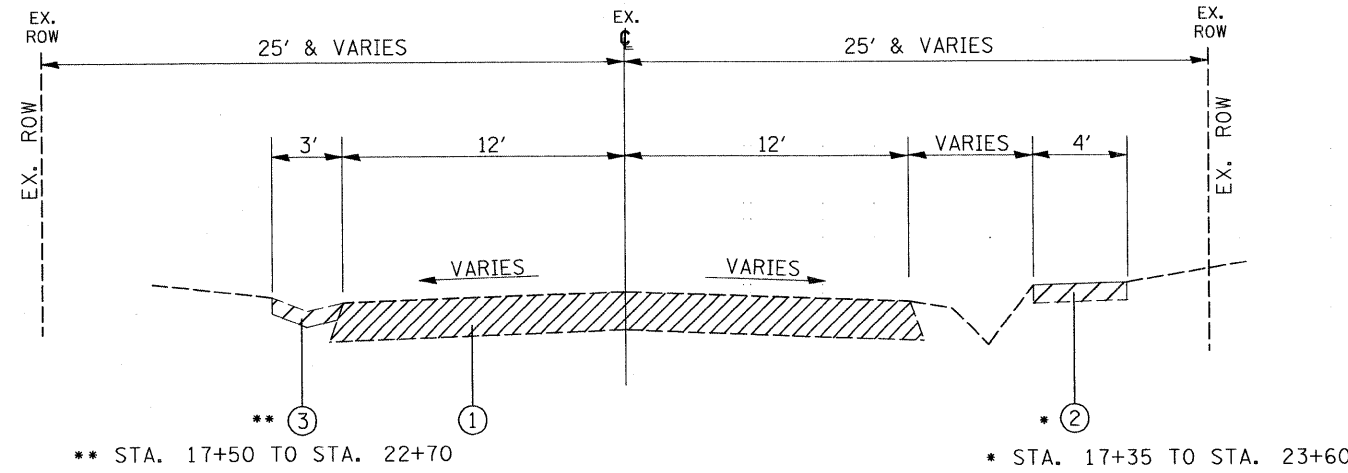
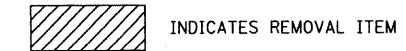
SEAL

Signature: _____
Signature Date: _____
Expiration Date: _____

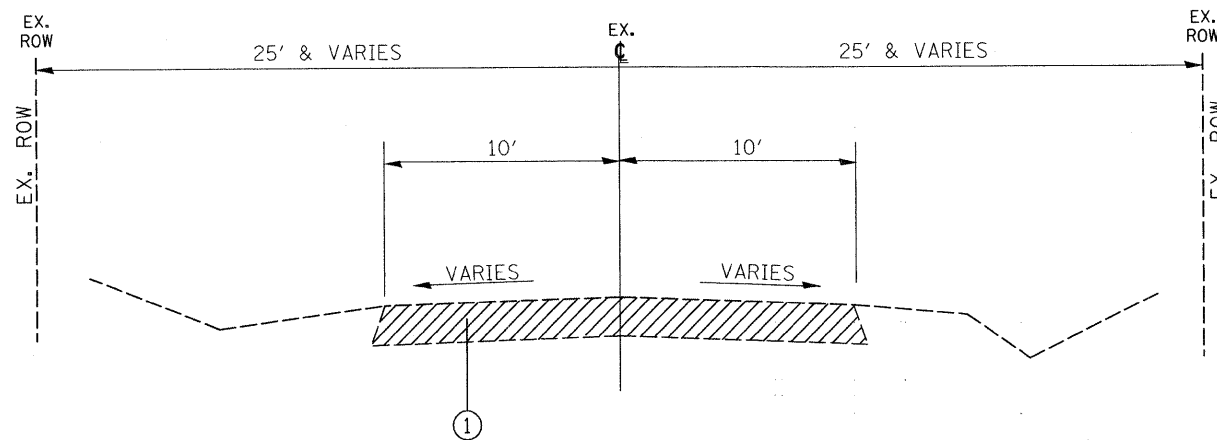
STATEMENT OF RESPONSIBILITY
I hereby confirm that the document herein to be authenticated by my seal is restricted to this sheet, and I hereby disclaim any responsibility for all other drawings, specifications, estimates, reports or other documents or instruments relating to or intended to be utilized for any other part of the architectural, engineering or survey project.

LEGEND

- ① EXISTING OIL & CHIP ROADWAY - VARIES - TO BE REMOVED (NOT PAID FOR SEPARATELY, BUT INCLUDED IN THE COST OF EARTHWORK)
- ② EXISTING CONCRETE SIDEWALK
- ③ EXISTING CONCRETE GUTTER
- ④ PROPOSED HOT MIX ASPHALT SURFACE COURSE, MIX "D", N70 - 2"
- ⑤ PROPOSED HOT MIX ASPHALT BINDER COURSE, IL-19.0, N70 - 7.75"
- ⑥ PROPOSED PROCESSING MODIFIED SOIL - 12"
- ⑦ PROPOSED COMBINATION CURB & GUTTER, TYPE B-6.24
- ⑧ PROPOSED 5' PORTLAND CEMENT CONCRETE SIDEWALK
- ⑨ PROPOSED RETENTION WALL
- ⑩ FUTURE 5' PORTLAND CEMENT CONCRETE SIDEWALK



EXISTING TYPICAL SECTION SEIBERT ROAD
STA. 17+35 TO STA. 24+20



EXISTING TYPICAL SECTION SEIBERT ROAD
STA. 24+20 TO STA. 25+53.74

PLOT DATE = 1/11/2008
FILE NAME = P:\2007\98\Phase II Plans\010479\TFS-2.dgn
PLOT SCALE = 20.00000 / 1" = 100'-0"
USER NAME = mschwieger-john

TITLE: TYPICAL SECTIONS EXISTING

PROJECT: SEIBERT ROAD RECONSTRUCTION - PHASE II VILLAGE OF SILOH ST. CLAIR COUNTY, ILLINOIS

REV.	DATE	DESCRIPTION
△		
△		
△		

DRAWN BY:	MLS	6
DESIGNED BY:	MJJ	
CHECKED BY:	XXX	
APPROVED BY:	XXX	
PROJECT NUMBER:	T20010479	
OF 35 SHEETS		
<input type="checkbox"/> ISSUED FOR REVIEW <input type="checkbox"/> ISSUED FOR BIDDING <input type="checkbox"/> ISSUED FOR CONSTR. <input type="checkbox"/> RECORD DRAWING		