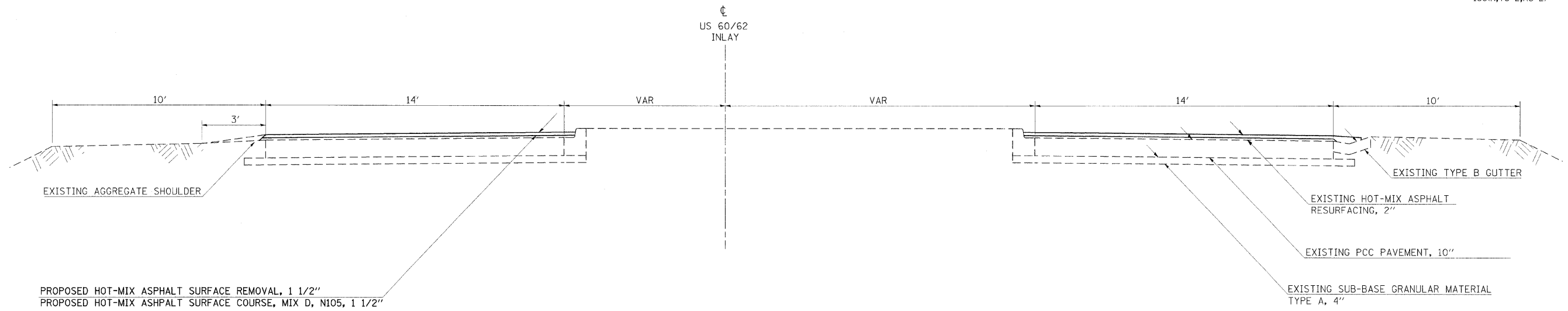


F.A.P. RTE.	SECTION	COUNTY	TOTAL SHEETS	SHEET NO.
•	••	ALEXANDER	65	11

STA.	TO STA.
FED. ROAD DIST. NO.	ILLINOIS

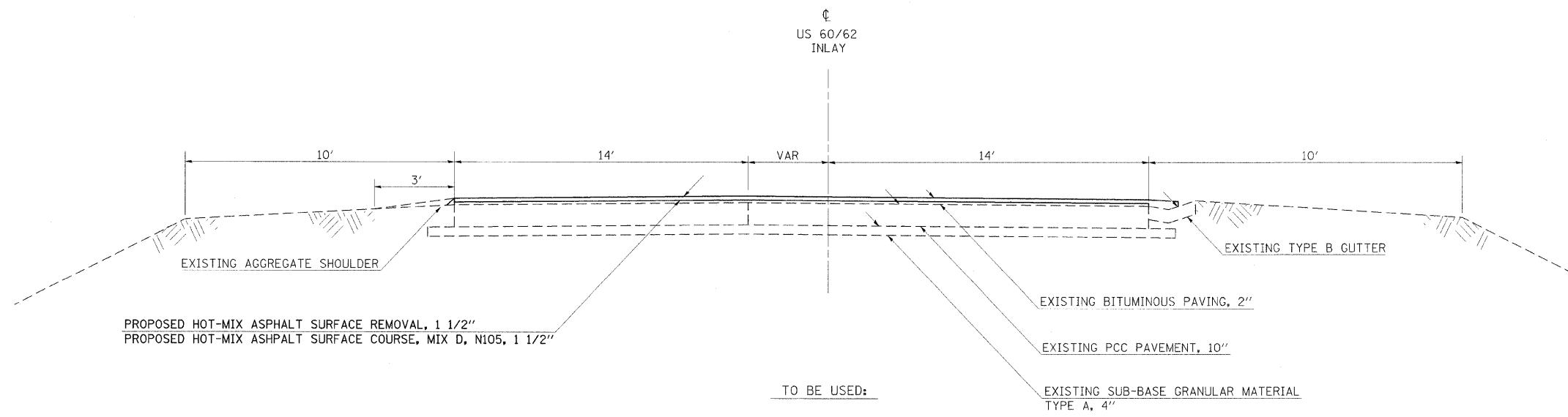
FED. AID PROJECT
 • FAP 14 (US51/60/62)
 •• 138(IN,TS-2,RS-2)



PROPOSED HOT-MIX ASPHALT SURFACE REMOVAL, 1 1/2"
 PROPOSED HOT-MIX ASPHALT SURFACE COURSE, MIX D, N105, 1 1/2"

TO BE USED:

STA 50+00.00 TO STA 52+99.2



PROPOSED HOT-MIX ASPHALT SURFACE REMOVAL, 1 1/2"
 PROPOSED HOT-MIX ASPHALT SURFACE COURSE, MIX D, N105, 1 1/2"

TO BE USED:

STA 52+99.2 TO STA 55+05

NOTE: MATCH EXISTING CROSS SLOPES

**TYPICAL SECTIONS
 US 60/62**