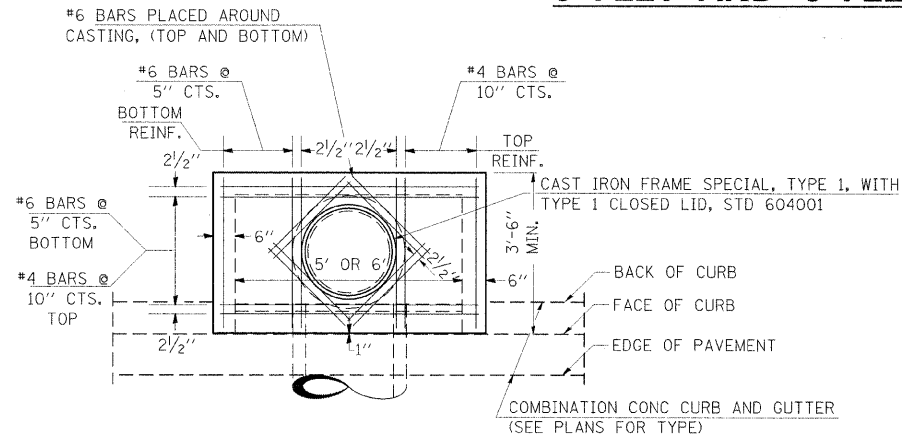


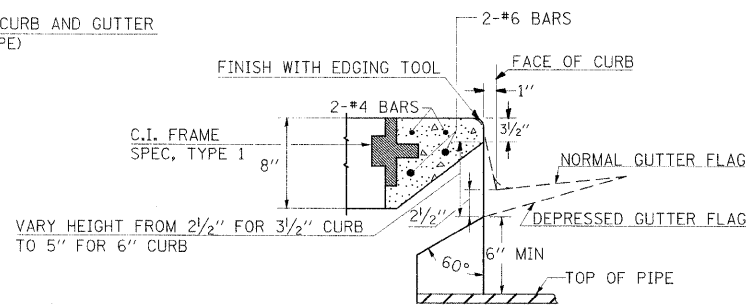
F.A.P. RTE.	SECTION	COUNTY	TOTAL SHEETS	SHEET NO.
*	**	ALEXANDER	65	37
STA. TO STA.		FED. ROAD DIST. NO. ILLINOIS FED. AID PROJECT		

* FAP 14 (US51/60/62)
 ** 138(IN.TS-2,RS-2)

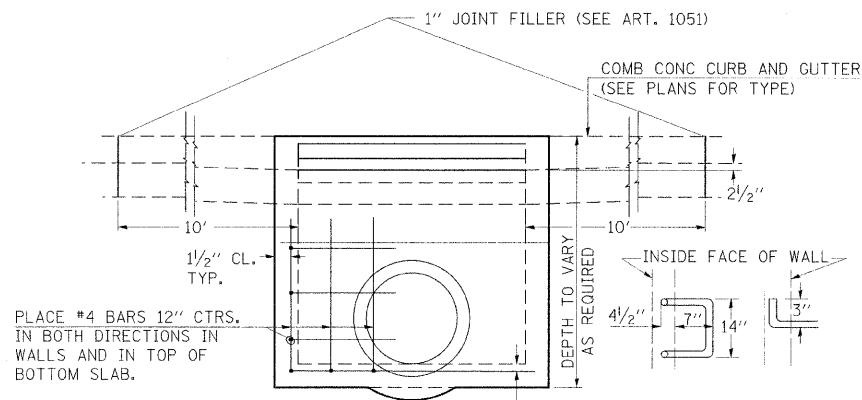
DETAILS OF INLET SPECIAL, TYPE 3, 5 FEET AND 6 FEET



PLAN



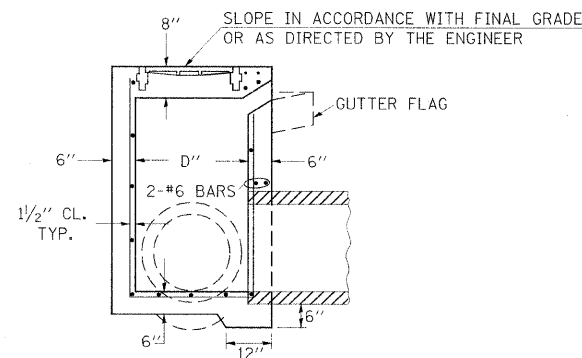
SECTION AT WEIR



ELEVATION

DESIGN	PIPE DIA	"D"
A	18" & LESS	2'-6"
B	21" & 24"	3'-0"
C	27" & 30"	3'-7"
D	33" & 36"	4'-2"
E	42"	4'-9"
F	48"	5'-0"
G	54"	6'-1"

1" Ø GALV. IRON STEPS **
 SPACED 12" TO 18" C-C.
 USE WHEN INLET IS OVER
 4' DEEP.



SECTION

NOTE TO DESIGNER:

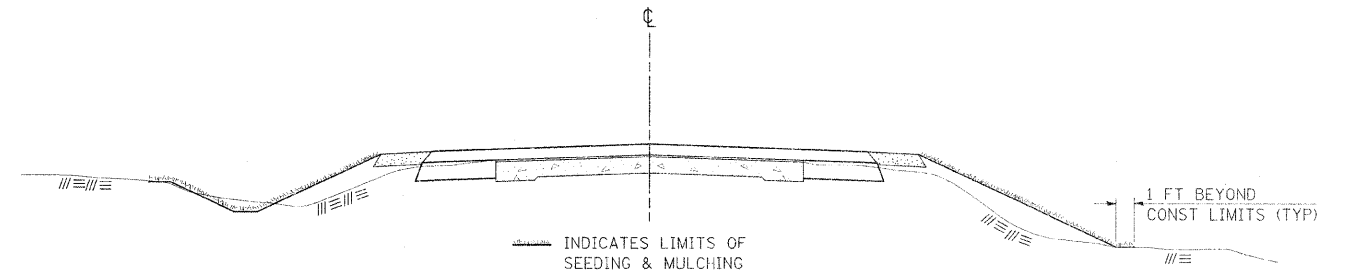
WHEN USING THIS STANDARD THE DESIGNER SHOULD ALSO CHECK BDE SPECIAL PROVISION 419 "PRECAST CONCRETE PRODUCTS".

REVISIONS

REDRAWN	2-15-89
REVISED	8-15-94
REVISED	1-19-99
REVISED	5-6-04

STD. 9-1

SEEDING & MULCHING



GENERAL NOTES

IN GENERAL, ALL EARTH SURFACES DISTURBED DURING CONSTRUCTION OPERATIONS SHALL BE SEEDING AND MULCHED UPON COMPLETION OF ALL GRADING OPERATIONS.

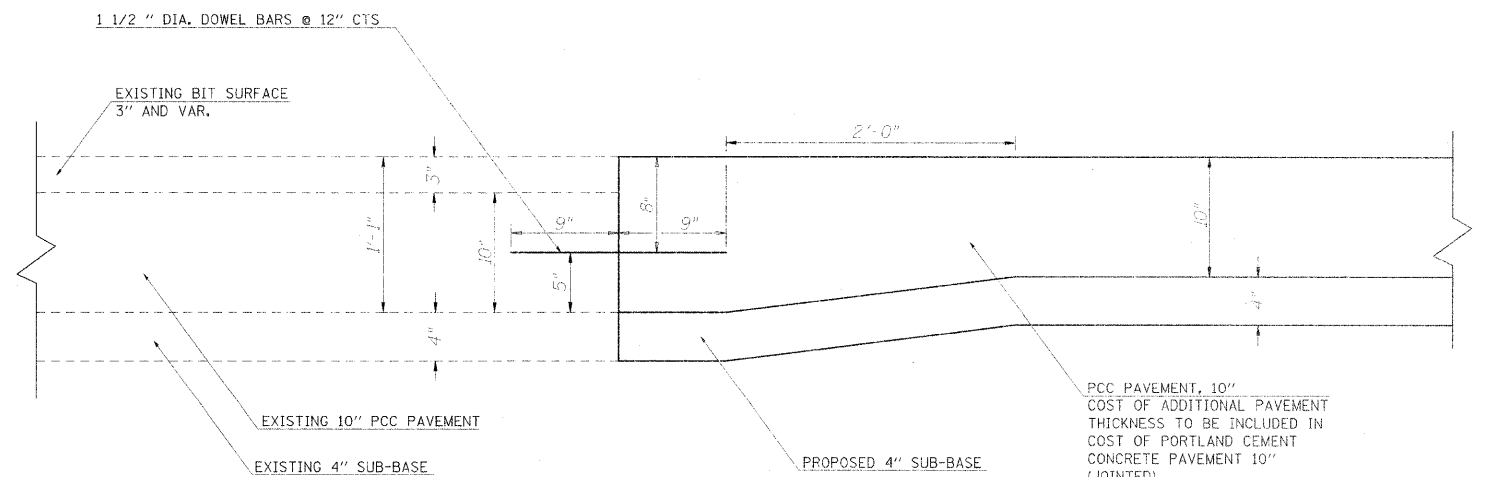
FERTILIZER NUTRIENTS AND LIMESTONE SHALL BE APPLIED TO ALL SEEDING AREAS.

THE RATES OF APPLICATION OF FERTILIZER, MULCH AND LIMESTONE SHALL BE AS SPECIFIED IN THE SPECIAL PROVISIONS.

SECTIONS 250 AND 251 OF THE STANDARD SPECIFICATIONS SHALL GOVERN THIS WORK EXCEPT AS SPECIFIED HEREIN OR AS NOTED IN THE SPECIAL PROVISIONS.

DOWEL BAR DETAIL

EXISTING RESURFACED PCC PAVEMENT
 ADJACENT TO PROPOSED
 PCC PAVEMENT
 TO BE USED AT STA 46+48
 AND STA. 50+00



* DOWEL BARS CONNECTING PROPOSED PCC PAVEMENT TO THE EXISTING PCC PAVEMENT SHALL BE INCLUDED IN THE COST OF PORTLAND CEMENT CONCRETE PAVEMENT 10" (JOINTED)

DETAILS: INLET SPECIAL TYPE 3, SEEDING AND MULCHING, DOWEL BARS