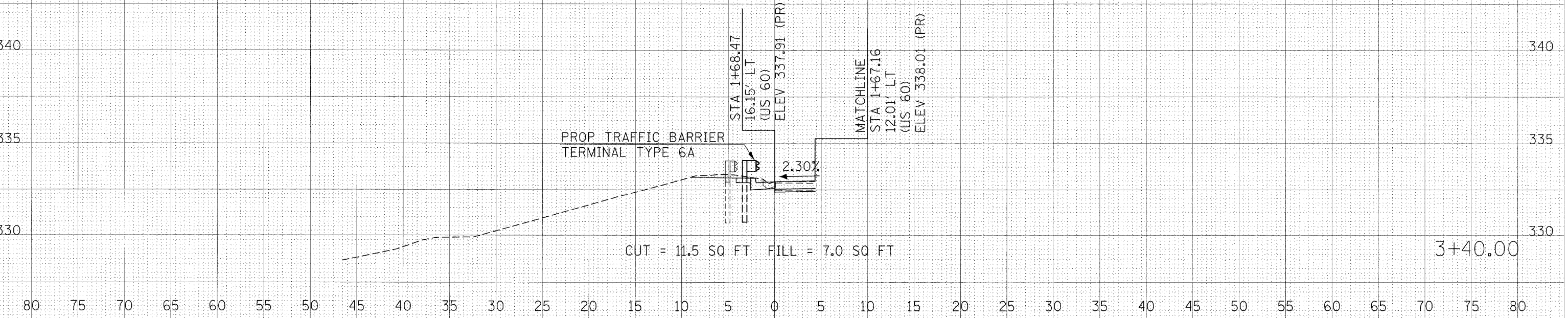
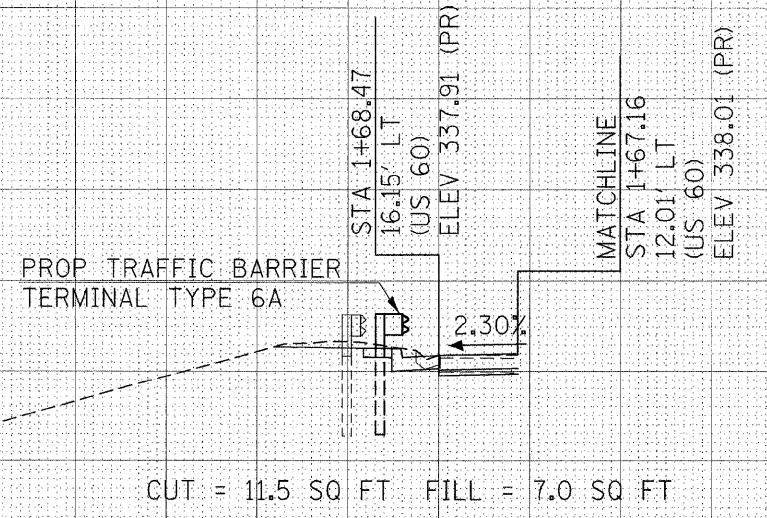
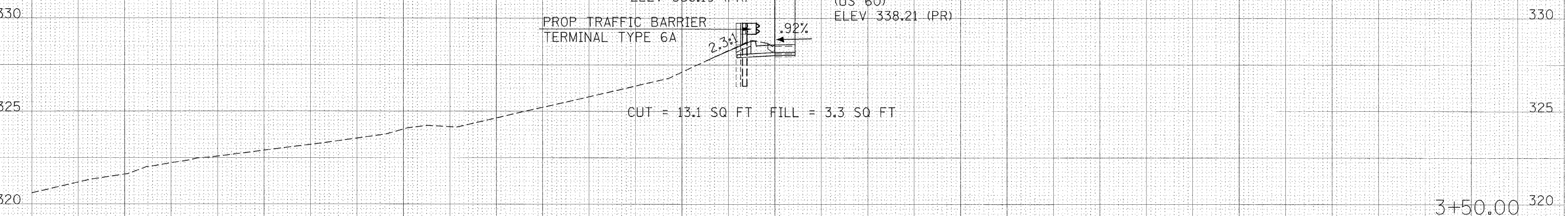
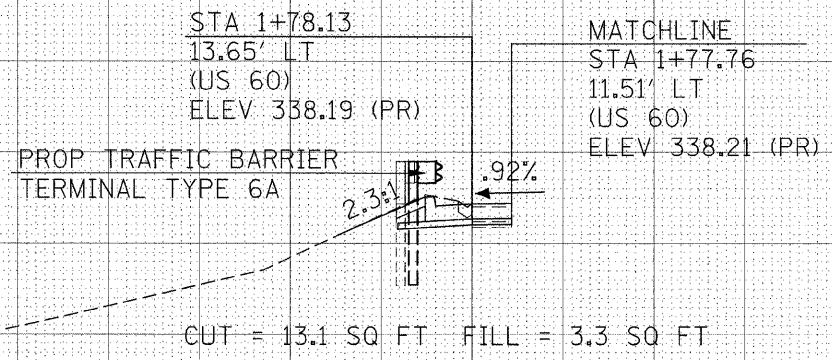


\* FAP 14 (US51/60/62)  
\* 138(N,TS-2,RS-2)  
\* ALEXANDER

F.A. RTE.	SECTION	COUNTY	TOTAL SHEETS	SHEET NO.
*	**	***	65	61
STA. 3+40.00		TO STA. 3+50.00		
FED. ROAD DIST. NO.		ILLINOIS FED. AID PROJECT		

80 75 70 65 60 55 50 45 40 35 30 25 20 15 10 5 0 5 10 15 20 25 30 35 40 45 50 55 60 65 70 75 80

E.O.P.  
NORTH WEST QUADRANT



CROSS SECTIONS (NORTHWEST QUADRANT)  
3+40 TO 3+50

NO. SURVEY PLOTTED AREAS CHECKED

NO. SURVEY PLOTTED AREAS CHECKED  
PLOT DATE = 11/20/2007  
FILE NAME = c:\pws\pws\14900206\14900206.dwg  
PLOT SCALE = 5/8" = 1' / IN.  
USER NAME = pws1