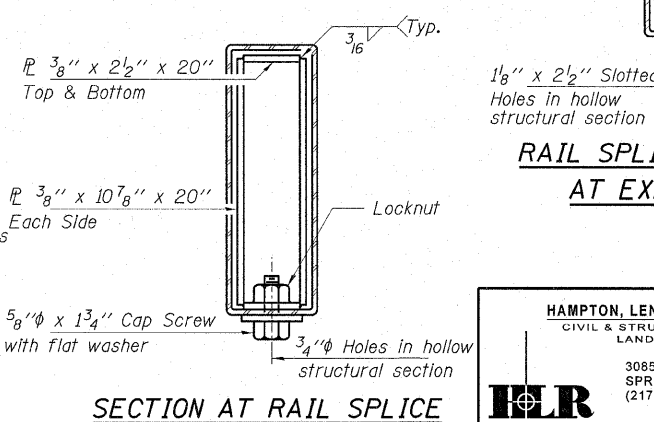
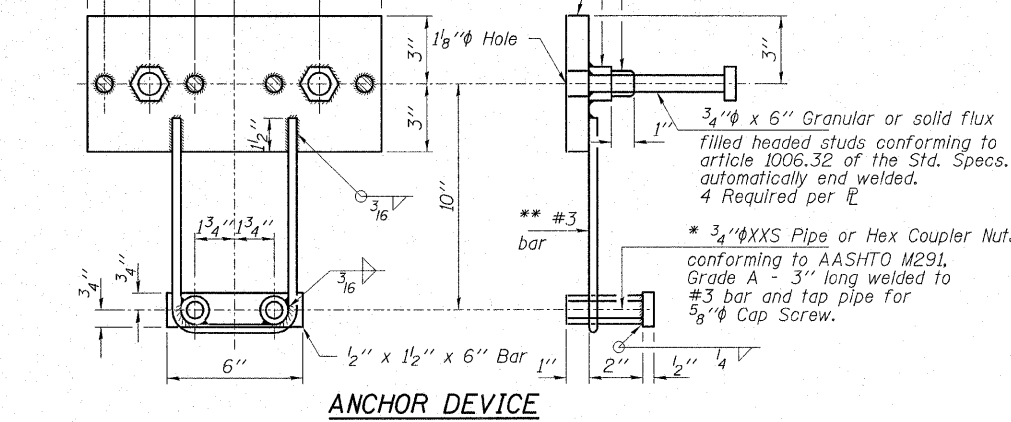
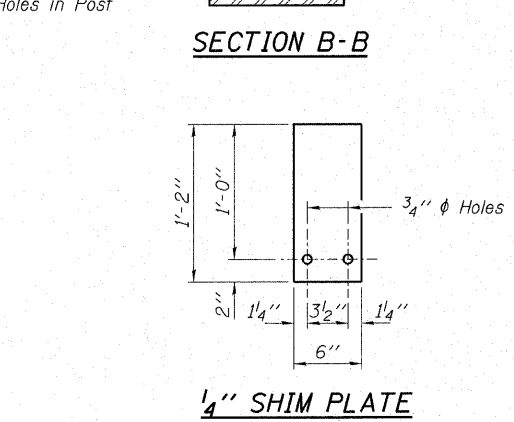
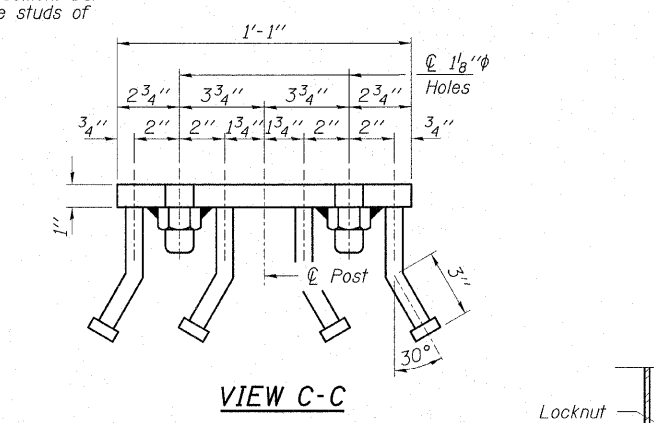
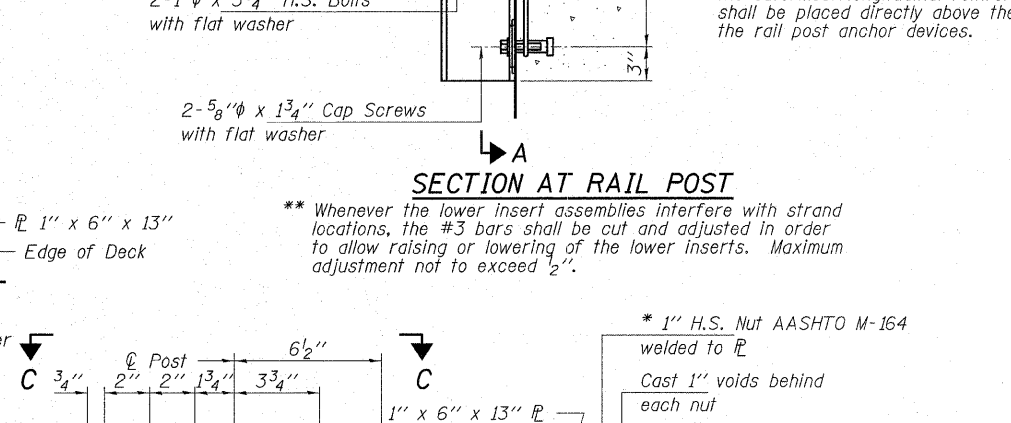
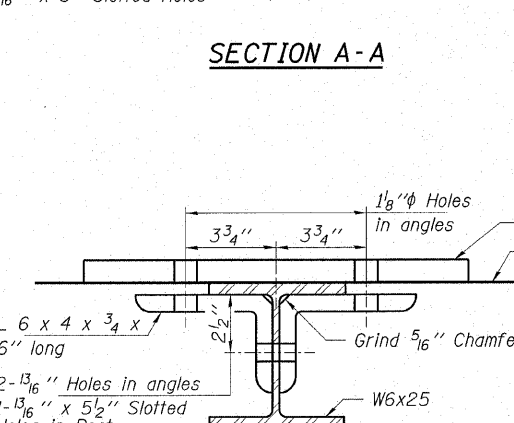
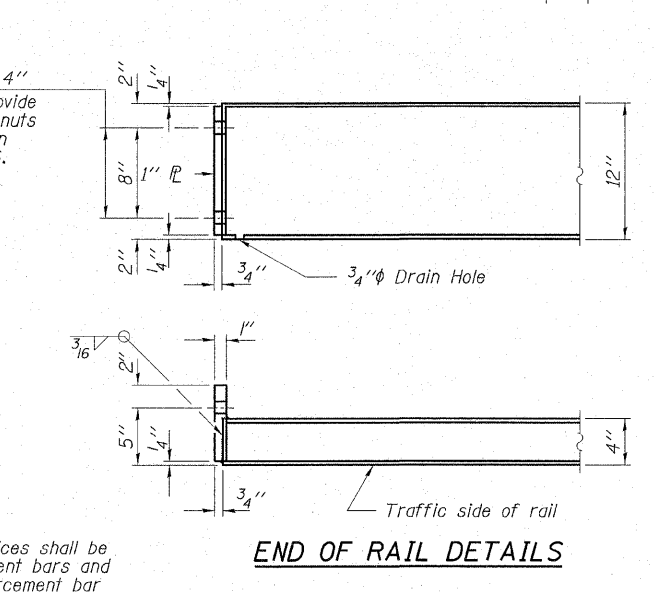
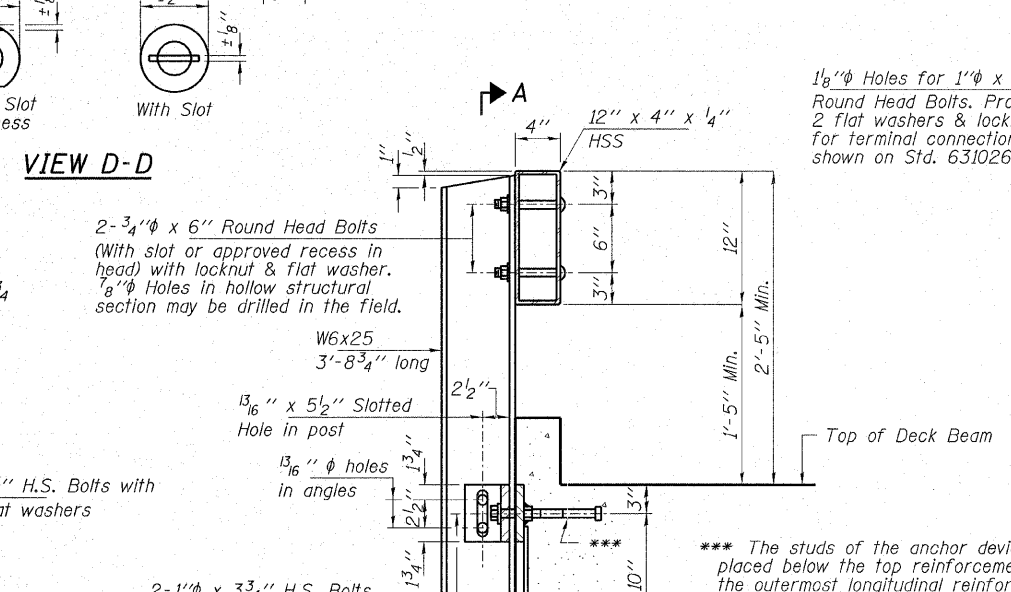
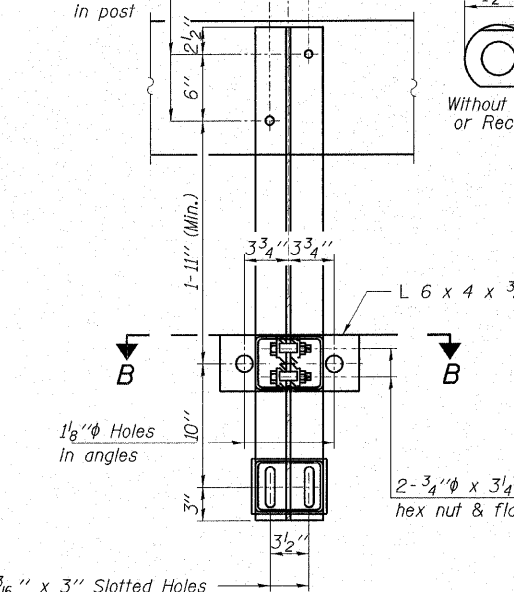
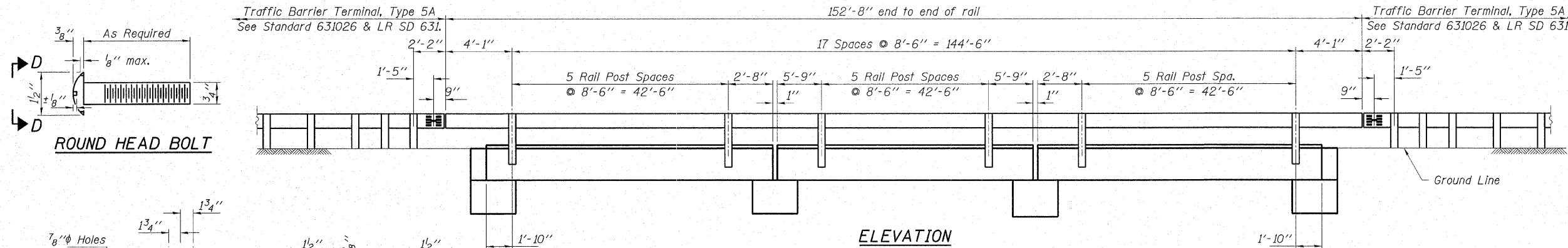


ROUTE NO.	SECTION	COUNTY	TOTAL SHEETS	SHEET NO.
T.R. 505B	06-10118-00-BR	JEFFERSON	18	14
FED. ROAD DIST. NO.	ILLINOIS	CONTRACT NO. 99325		

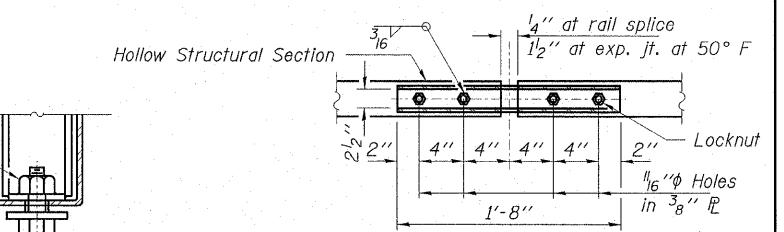


NOTES

All rail elements shall be galvanized according to Article 509.05 of the Standard Specifications.

All field drilled holes shall be grouted with an approved zinc rich paint before erection.

For multi-span bridges, sufficient 1/4" x 6" x 1'-2" galvanized steel shims shall be provided to align rail between adjacent spans. Cost included with STEEL RAILING, TYPE S1.



RAIL SPLICE CONNECTION AT EXPANSION JT.

BILL OF MATERIAL

Item	Unit	Quantity
Steel Railing, Type S1	Foot	305

HAMPTON, LENZINI & RENWICK, INC.
 CIVIL & STRUCTURAL ENGINEERS
 LAND SURVEYORS

3085 STEVENSON DRIVE, SUITE 201
 SPRINGFIELD, ILLINOIS 62703
 (217) 546-3400

ELGIN • SPRINGFIELD

PROJECT NUMBER: 12-49-0008-1 DATE: 01/08/08
 DESIGNED: R.J.P. CHECKED: M.D.C. DRAWN: D.T.M.

RAILING DETAILS

T.R. 505B OVER C.N./I.C. RAILROAD
 SECTION 06-10118-00-BR
 MOORES PRAIRIE ROAD DISTRICT
 JEFFERSON COUNTY
 STRUCTURE NO. 041-9930 / STATION 15+00