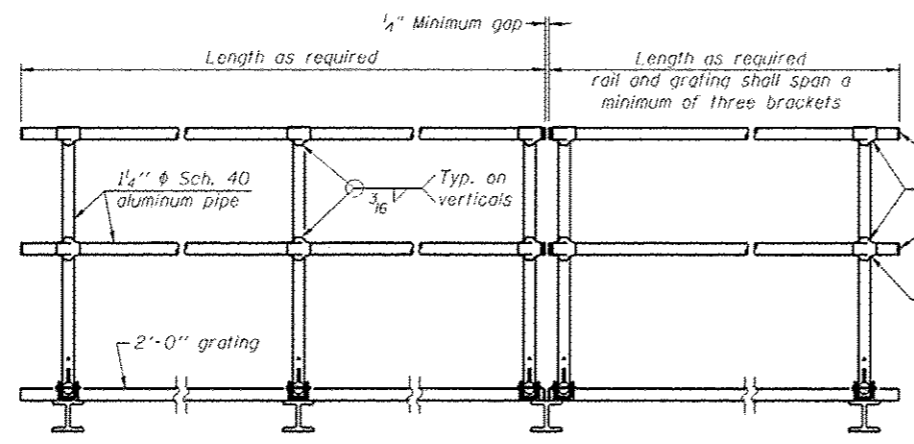


**SIDE ELEVATION**  
(Showing safety chain w/o sign)

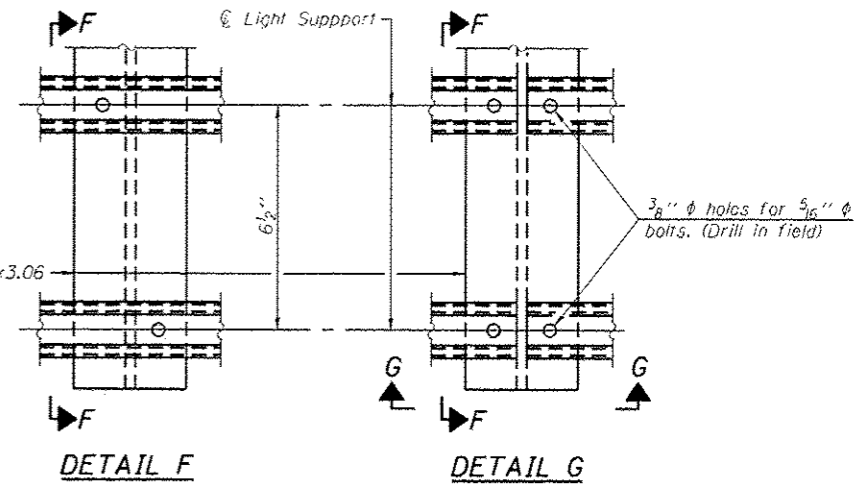


**FRONT ELEVATION**

**HANDRAIL DETAILS**

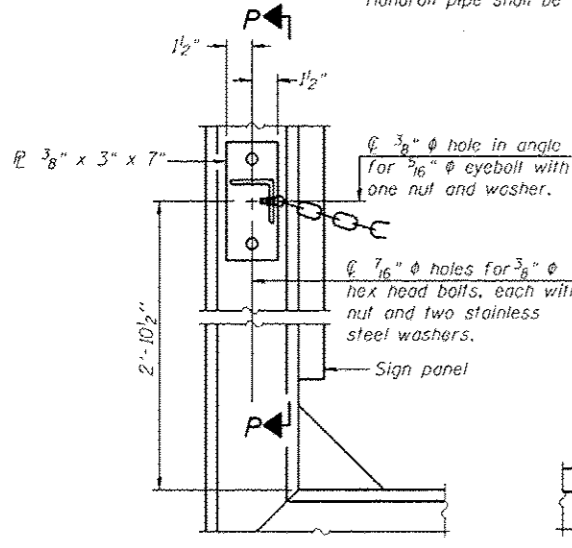
Handrail pipe shall be ASTM B241 or B429, Alloy 6063-T6 or Alloy 6061-T6.

- Install standard force-fit end caps or weld 1/8" end plates with 1/8" c.f.w. and grind smooth. (All rail ends)
- Horizontal handrail member shall be continuous thru fitting. Provide 7/16" hole in fitting for 3/8" bolt. Field drill 1/16" hole in horizontal rail member. Provide locknut and two stainless steel washers for bolt. (Use 5/16" eyebolts in 7/16" holes on top rail at ends only.)



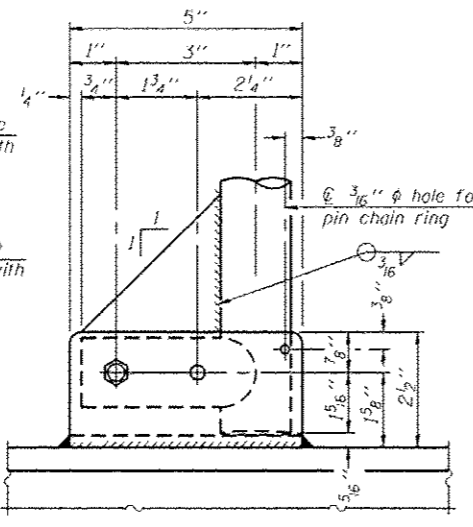
**DETAIL F**

**DETAIL G**

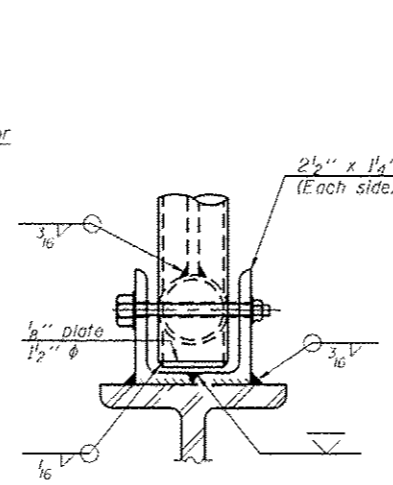


**ALTERNATE SAFETY CHAIN ATTACHMENT**  
(With Sign Present)

Hems not shown same as "Side Elevation" of "Handrail Details"

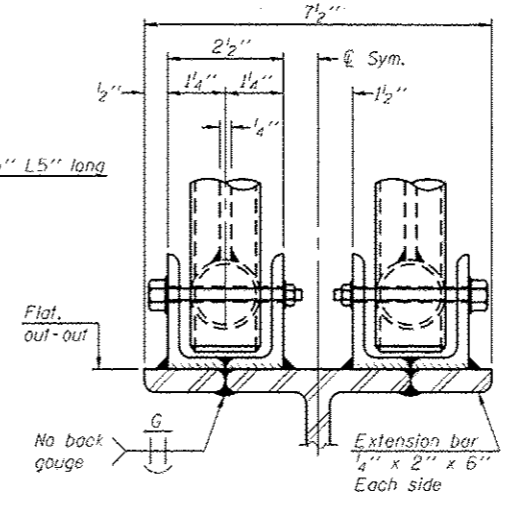


**SIDE ELEVATION**

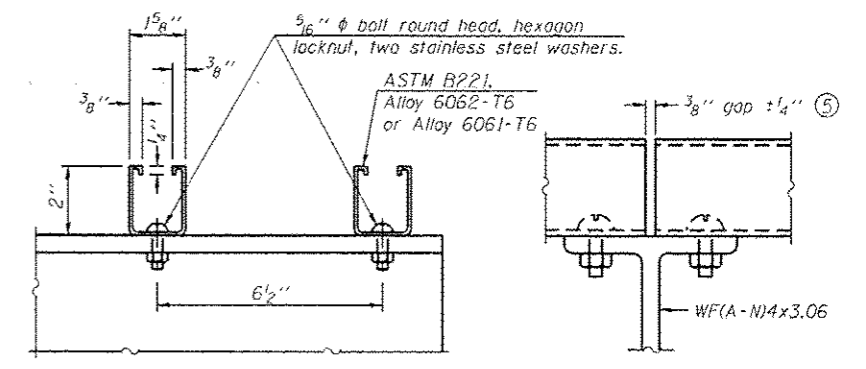


**FRONT ELEVATION**

See "Elevation" at right for dimensions.



**ELEVATION AT HANDRAIL JOINT**

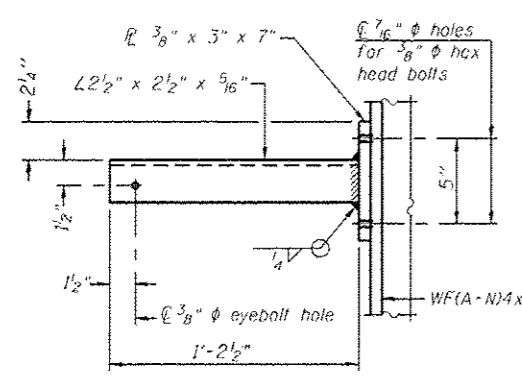


**SECTION F-F**

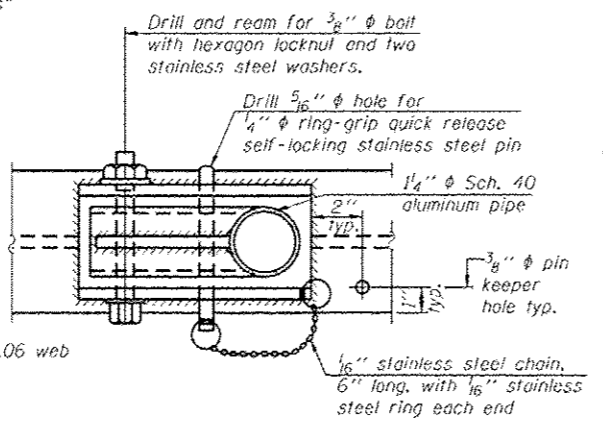
**SECTION G-G**

**LIGHTING FIXTURE MOUNTS (IF REQUIRED)**

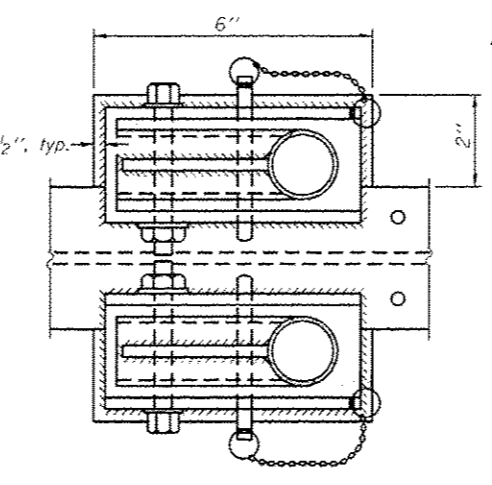
- Field cut ends of light support channels shall be free of burrs or hazardous projections and coated with zinc-rich primer or equivalent.



**SECTION P-P**

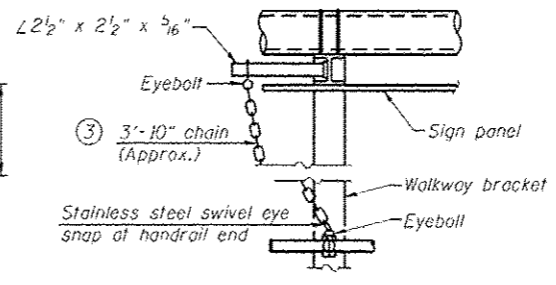


**PLAN DETAIL E HANDRAIL HINGE**



**PLAN AT HANDRAIL JOINT**

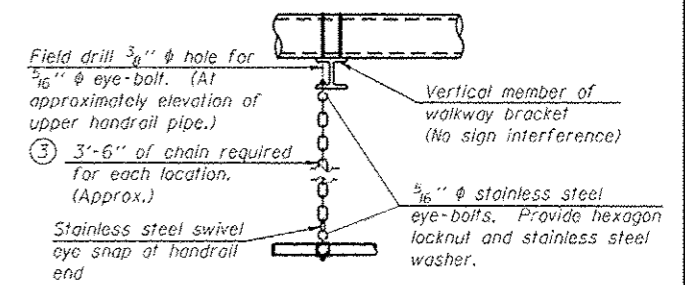
Details not shown same as "PLAN"



**ALTERNATE SAFETY CHAIN ATTACHMENT**

Details not shown similar to "Safety Chain" Details (Walkway omitted for clarity)

- 3'-6" of chain required for each location. (Approx.)
- 3'-6" Type 304L stainless steel chain, approximately 12 links per foot.
- Extrusions may be used in lieu of the details shown, with approval of the Engineer.



**SAFETY CHAIN**

One required for each end of each walkway.

OS-A-11

6-1-12

FILE NAME -	USER NAME - steffennk	DESIGNED -	REVISED -
cr:\pwork\p\dot\steffennk\d0358935\071630c-shr-detailed.dgn		DRAWN -	REVISED -
Default	PLOT SCALE = 1/8"=1'-0"	CHECKED -	REVISED -
	PLOT DATE = 10/29/2013	DATE -	REVISED -

STATE OF ILLINOIS  
DEPARTMENT OF TRANSPORTATION

OVERHEAD SIGN STRUCTURES  
ALUMINUM HANDRAIL DETAILS

SCALE: SHEET OF SHEETS STA. TO STA.

F.A. RTE.	SECTION	COUNTY	TOTAL SHEET NO.
VAR5		**	47 14
DT OVC SIN STR REPL 14-42		CONTRACT NO. 46306	
ILLINOIS FED. AID PROJECT			
**EFF (NHAM, MACON, COLES			