

Note:  
There are twice as many horizontal diagonals as there are vertical diagonals.

For Section B-B and Section C-C, see Base Sheet OSC-A-3.

**TRUSS UNIT TABLE**

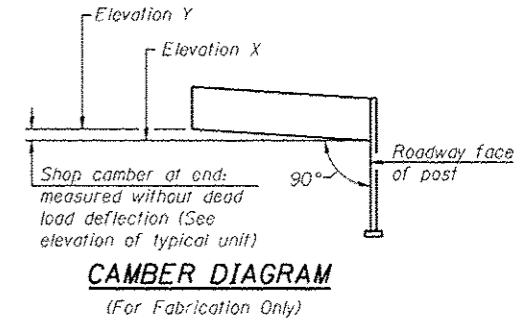
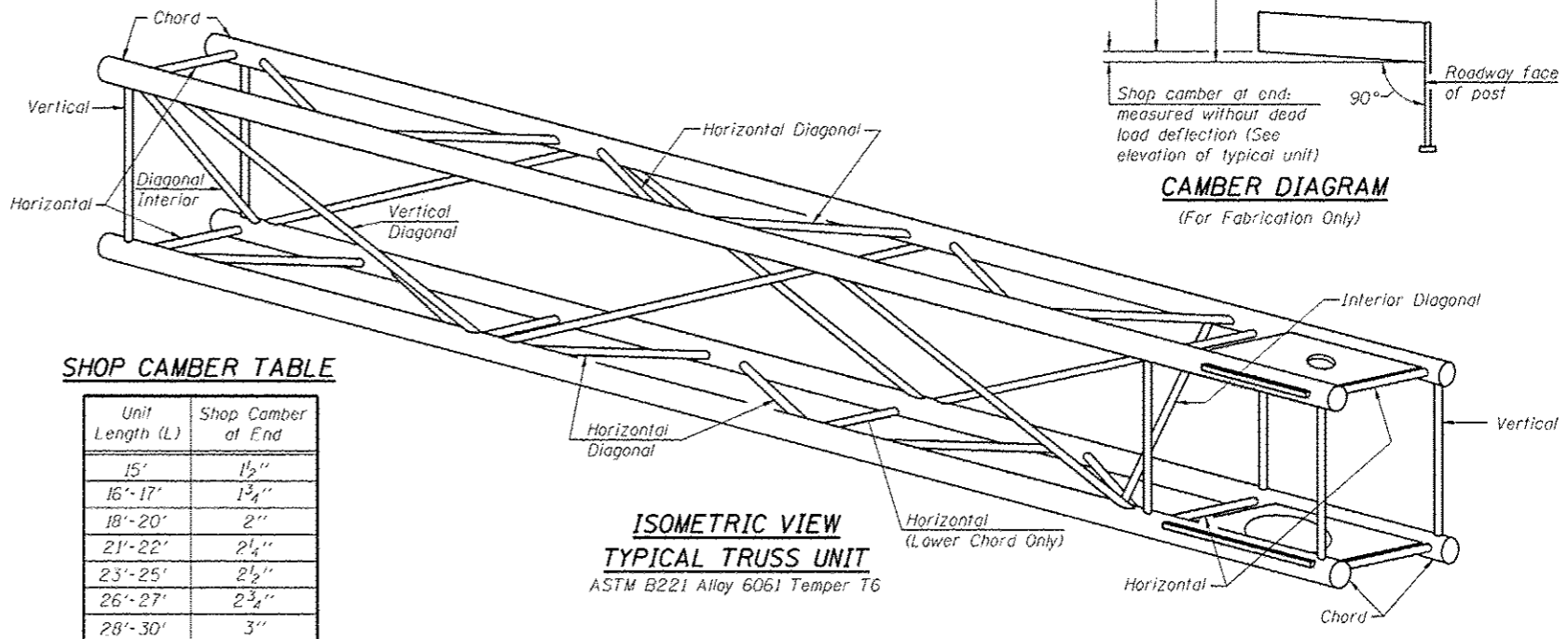
Truss Type	Dimension "a"	Dimension "b"	Dimension "s"	Limits for Panel Spacing (P)*	Up. & Low. Chord			Verticals; Horizontals; Vertical, Horizontal, and Interior Diagonals		
					O.D.	Wall	O.D.	O.D.	Wall	O.D.
I-C-A	24"	54"	16"	36" min. to 48" max.	5"	5/16"	2 1/2"	5/16"		
II-C-A	36"	66"	21"	42" min. to 54" max.	6 1/2"	5/16"	3 1/4"	5/16"		
III-C-A (35' Max.)	36"	84"	21"	48" min. to 66" max.	7"	3/8"	3 1/2"	3/8"		
III-C-A (>35' to 40')	36"	84"	21"	48" min. to 66" max.	8"	3/8"	3 1/2"	3/8"		

\*P =  $\frac{L - 5 - 3"}{\# \text{ Panels}}$

Structure Number	Station	Truss Type	Design Length (L)	Number of Panels Per Unit	Panel Length (P)*
TC0151057R189.7	788+72	III-C-A	30'	6	56"

**SHOP CAMBER TABLE**

Unit Length (L)	Shop Camber at End
15'	1 1/2"
16'-17'	1 3/4"
18'-20'	2"
21'-22'	2 1/4"
23'-25'	2 1/2"
26'-27'	2 3/4"
28'-30'	3"
31'-32'	3 1/4"
33'-35'	3 1/2"
36'-37'	4"
38'-40'	4 1/2"



OSC-A-2

6-1-12