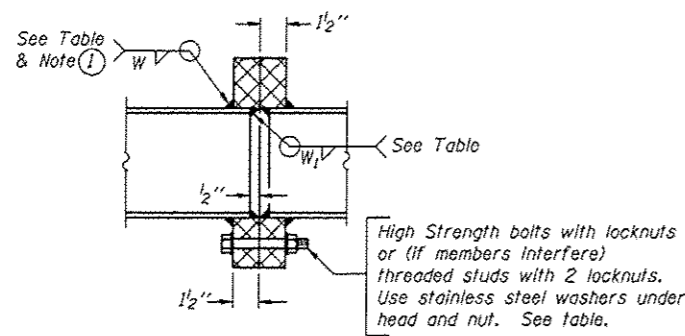


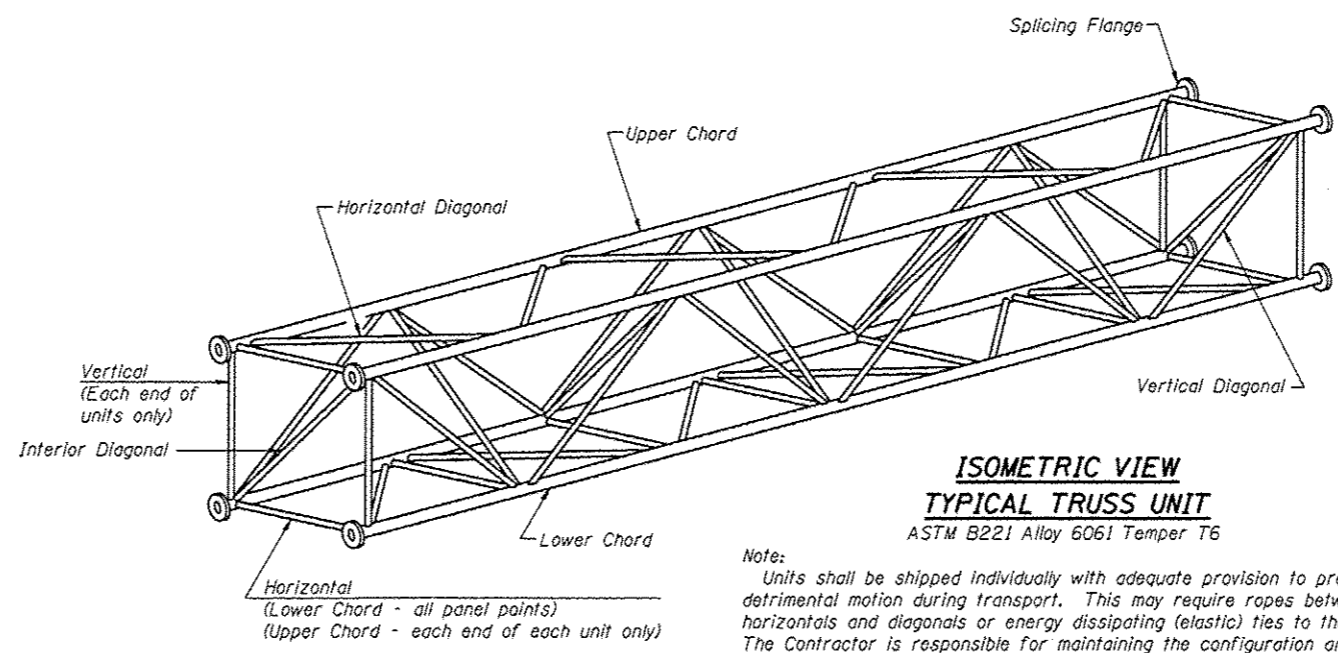
TRUSS UNIT TABLE

Structure Number	Station	Design Truss Type	Exterior Units (2)			Interior Unit			Upper & Lower Chord		Verticals; Horizontals; Vertical, Horizontal, and Interior Diagonals		Camber at Midspan	Splicing Flange						
			No. Panels per Unit	Unit Lgth.(L _u)	Panel Lgth.(P)	No. Req'd.	No. Panels per Unit	Unit Lgth.(L _i)	Panel Lgth.(P)	O.D.	Wall	O.D.		Wall	Bolts		Weld Sizes		A	B
															No./Splices	Dia.	W	W ₁		
3S0061180L00L1	116+55	II-A	6	34'-1 1/2"	5'-4 1/2"	1	6	33'-6"	5'-4 1/2"	6"	5/16"	3"	5/16"	3.08"	6	7/8"	3/8"	1/4"	10 1/4"	13 3/4"

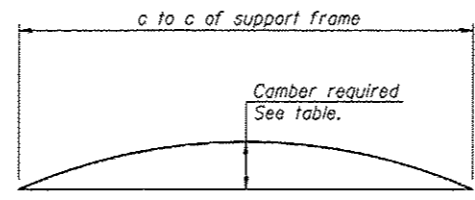


SECTION B-B

① Splicing Flanges shall be attached to each truss unit with the truss shop assembled to camber shown. Truss units shall be in proper alignment and flange surfaces shall be shop bolted into full contact before welding. Sufficient external welds or tacks shall be made to secure flanges until remaining welds are made after disassembly. Adjacent flanges shall be "match marked" to insure proper field assembly.



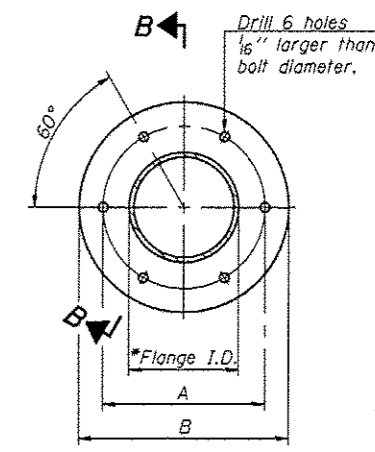
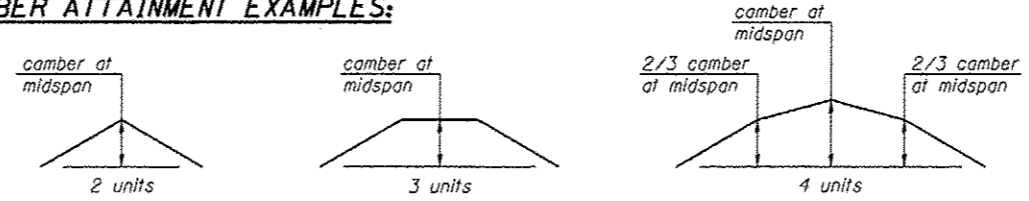
ISOMETRIC VIEW TYPICAL TRUSS UNIT
ASTM B221 Alloy 6061 Temper T6



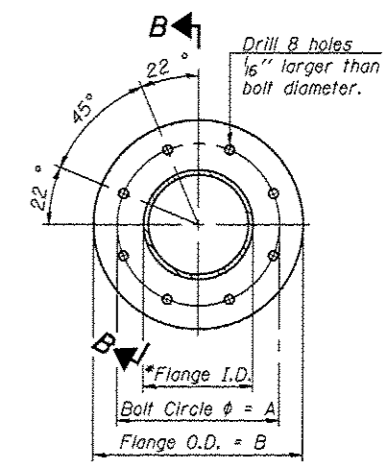
CAMBER DIAGRAM

Camber curve shown is theoretical. Actual camber attained by slope changes at splices between units.

CAMBER ATTAINMENT EXAMPLES:



TRUSS TYPES I-A, II-A, & III-A



TRUSS TYPES II-A & III-A
SPLICING FLANGES

ASTM B221, Alloy 6061-T6 or ASTM B209, Alloy 6061-T651
*To fit O.D. of Chord with maximum gap of 1/16".

OS4-A-2

6-1-12

FILE NAME =	USER NAME = Patelyj	DESIGNED - YOGESH PATEL	REVISED -	STATE OF ILLINOIS DEPARTMENT OF TRANSPORTATION	OVERHEAD SIGN STRUCTURES - ALUMINUM TRUSS DETAILS FOR TRUSS TYPES I-A, II-A AND III-A	F.A.I. RTE.	SECTION	COUNTY	TOTAL SHEETS	SHEET NO.	
o:\p\work\p\dott\patelyj\d0369570\0346316-ahc-detailed.dgn	PLOT SCALE = 250000.0000' / 1"	DRAWN - YOGESH PATEL	REVISED -			180	D-3 OVD SJN STR REPL 14-50	BUREAU	24	12	
PLOT DATE = 2/3/2014	DATE -	CHECKED - RON WOODSHANK	REVISED -			SCALE:	SHEET NO. 3 OF 11 SHEETS	STA.	TO STA.	CONTRACT NO. 46316	ILLINOIS FED. AID PROJECT
		DATE -	REVISED -								