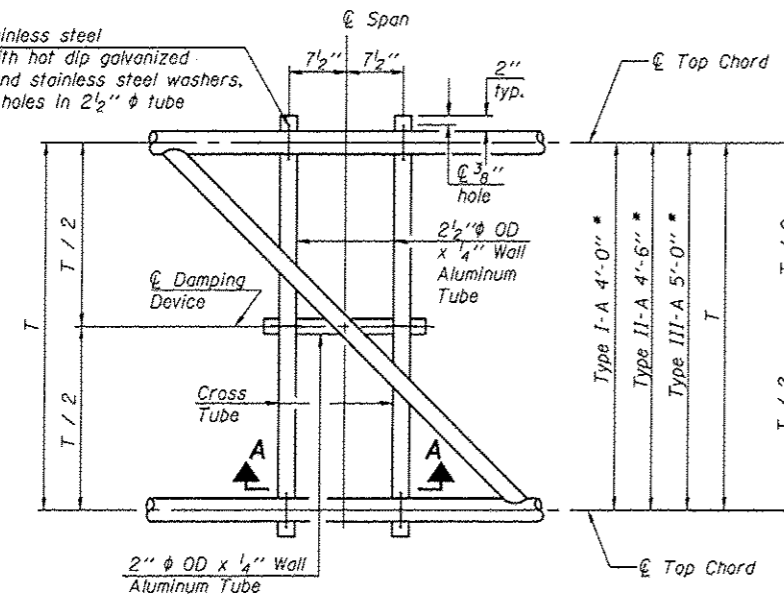
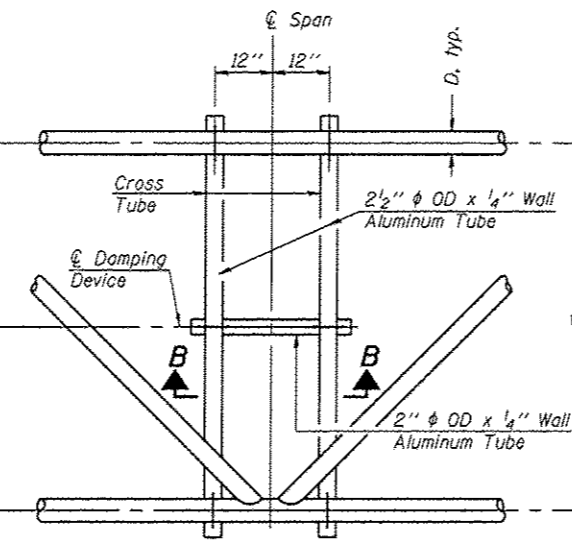


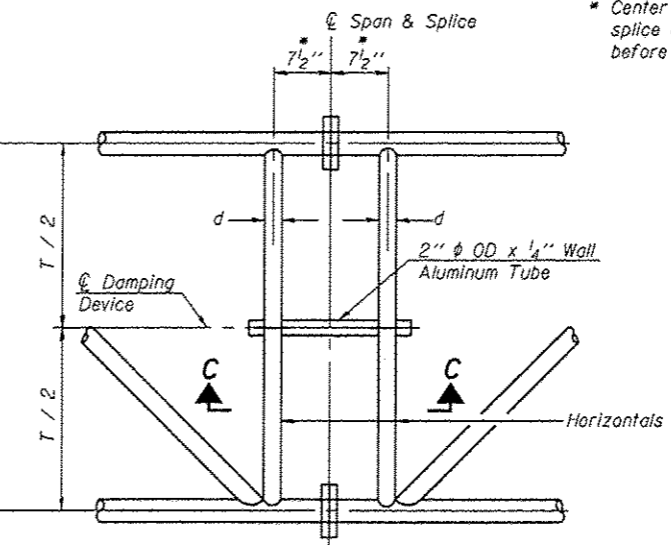
$\frac{5}{16}$ " ϕ stainless steel
U-bolt with hot dip galvanized
locknuts and stainless steel washers,
typ. $\frac{3}{8}$ " ϕ holes in $2\frac{1}{2}$ " ϕ tube



PLAN DETAIL "A"
Span between Panel Points



PLAN DETAIL "B"
Span at Panel Point



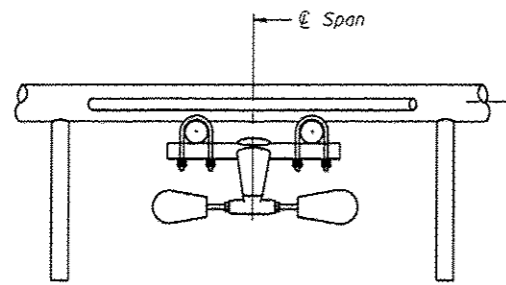
PLAN DETAIL "C"
Span at Chord Splice

* Center of horizontal to center of
splice dimension may vary. Verify
before drilling holes in mounting tube.

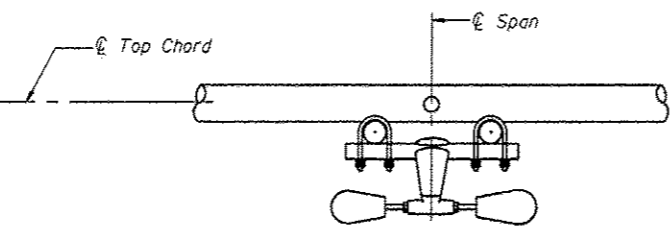
NOTES

Damper: One damper per truss. (31 lbs. minimum Stockbridge-Type Aluminum - 29" minimum between ends of weights) Cost included in Overhead Sign Structure...

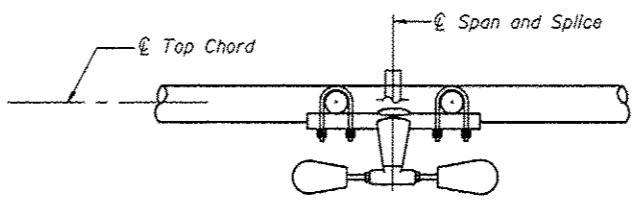
Materials: Materials: Aluminum tubes shall be ASTM B221 alloy 6061 temper T6. Cost included in Overhead Sign Structure...



SECTION A-A

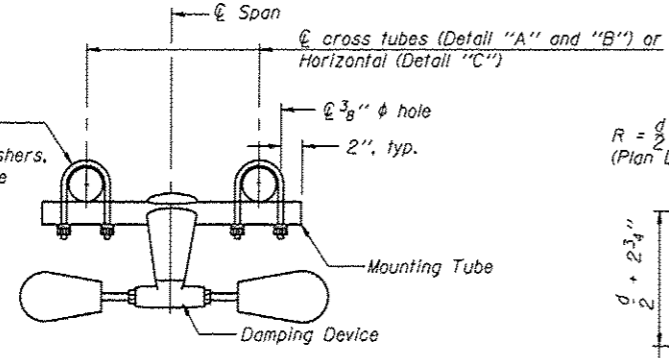


SECTION B-B

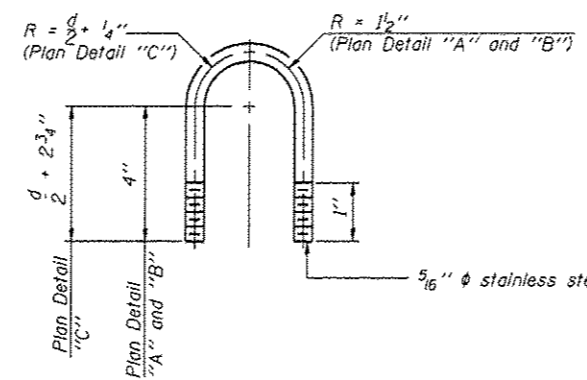


SECTION C-C

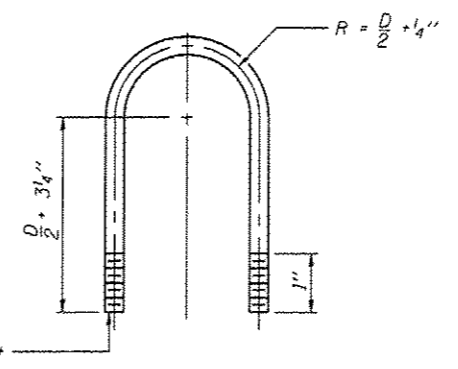
$\frac{5}{16}$ " ϕ stainless steel
U-bolt with hot dip galvanized
locknuts and stainless steel washers,
typ. $\frac{3}{8}$ " ϕ holes in mounting tube



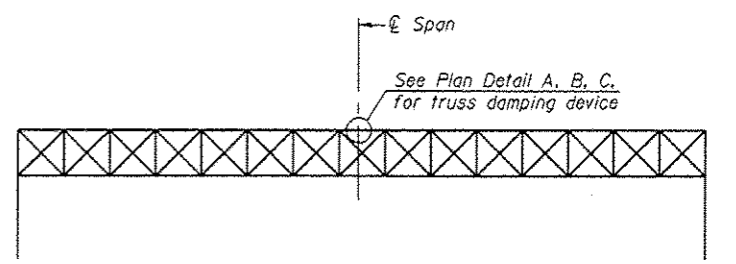
**TRUSS DAMPING
DEVICE CONNECTION DETAIL**
(Typical)



**DAMPING DEVICE MOUNTING
TUBE U-BOLT DETAIL**
(Typical)



**TOP CHORD TO CROSS TUBE
U-BOLT DETAIL**
(Typical - Detail "A" and "B")



ELEVATION
Aluminum Overhead
Sign Truss

OS-A-D

6-1-12

FILE NAME =	USER NAME = Patelyj	DESIGNED - YOGESH PATEL	REVISED -	STATE OF ILLINOIS DEPARTMENT OF TRANSPORTATION	OVERHEAD SIGN STRUCTURE DAMPING DEVICE			F.A.I. RTE.	SECTION	COUNTY	TOTAL SHEETS	SHEET NO.
c:\pwork\p\patelyj\48369578\0346	318-shr-details.dgn	DRAWN - YOGESH PATEL	REVISED -		180	D-3 OVD SIN STR REPL 14-50	BUREAU	24	13			
	PLOT SCALE = 250000.0000' / in.	CHECKED - RON WOODSHANK	REVISED -					CONTRACT NO. 4631				
	PLOT DATE = 2/3/2014	DATE -	REVISED -		SCALE:	SHEET NO. 4 OF 11 SHEETS	STA.	TO STA.	ILLINOIS FED. AID PROJECT			