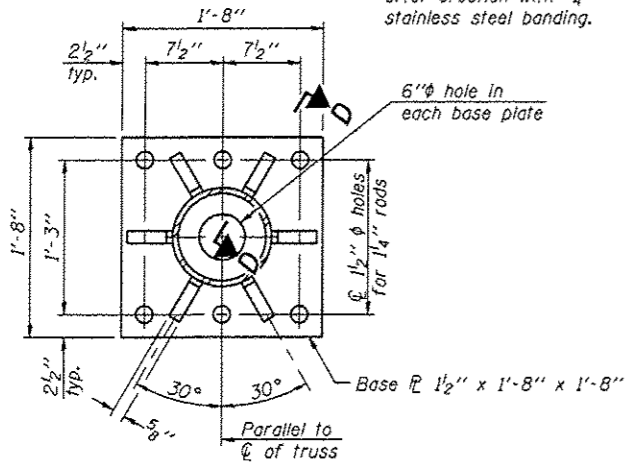
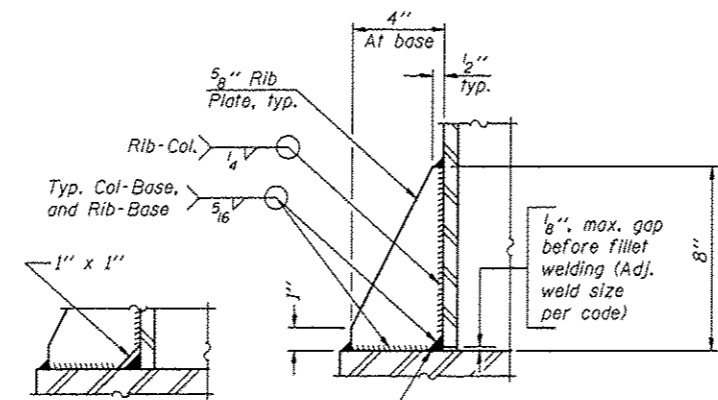


**DETAIL B**

Ribs shall be cut to fit slope of pipe.



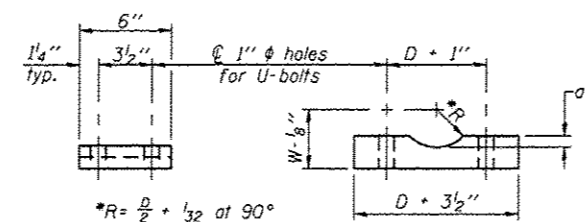
**SECTION B-B**



**SECTION D-D**

No snip req'd. at rib inside corner if placed before col. to base plate welding.

\*\* Alternate detail if welding col. to base plate first, then snip inside corner of ribs. Terminate weld on rib 1/4" from snip.

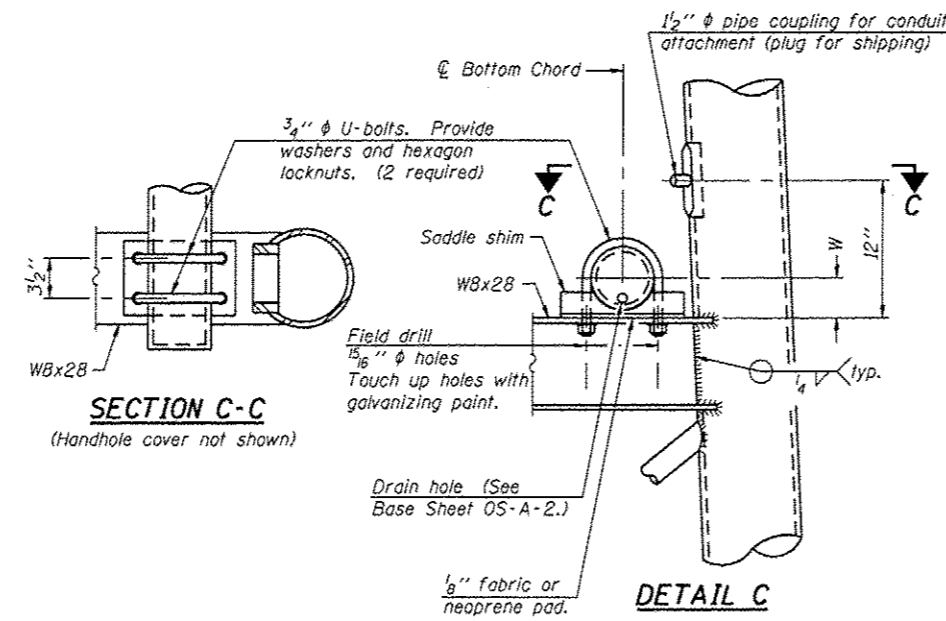


**SADDLE SHIM DETAIL**

\*R = D/2 + 1/32 at 90°

D = Outside Diameter of Chord.

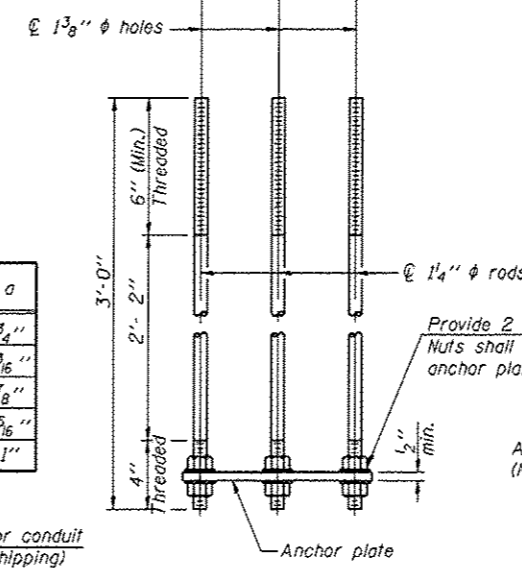
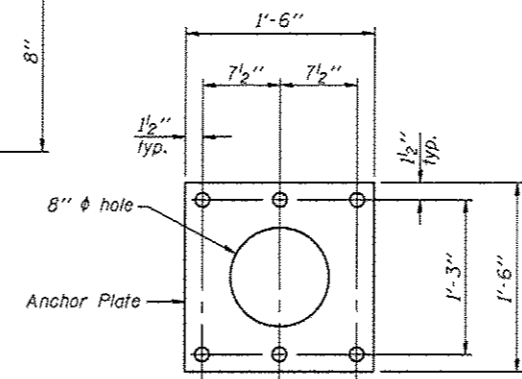
For W, see Base Sheet OS-A-6.



**SECTION C-C**

(Handhole cover not shown)

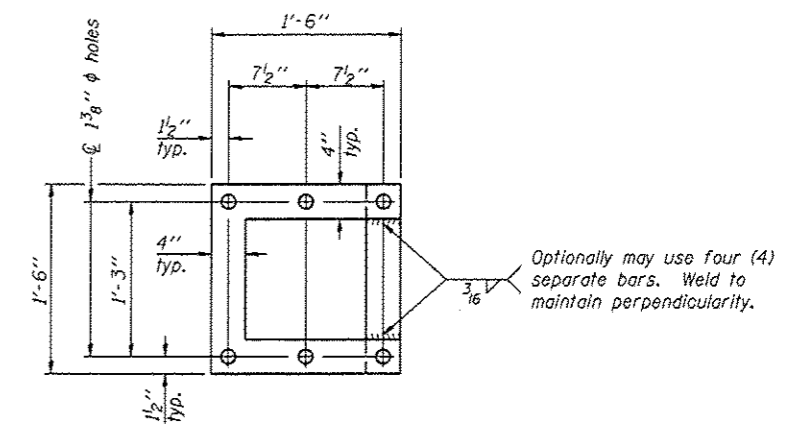
**DETAIL C**



**ANCHOR ROD DETAIL**  
Spread Footing Foundation

Anchor rods shall conform to ASTM F1554 Grade 105. Galvanize upper 12" minimum per AASHTO M232. No welding shall be permitted on rods.

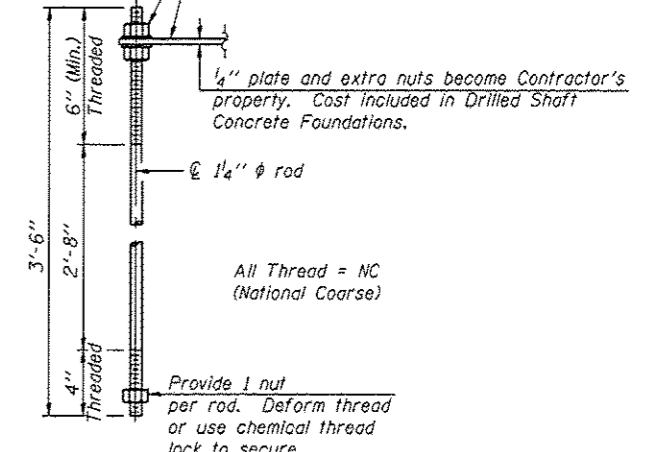
**10" PIPE SUPPORT FRAME DETAILS**



**POSITIONING PLATE(S)**

Optionally may use four (4) separate bars. Weld to maintain perpendicularity.

At each location, provide 1/4" thick positioning plate(s) and six (6) additional nuts to be used with leveling nuts to maintain anchor bolts position during concrete placement.



**ANCHOR ROD DETAIL**  
Drilled Shaft Foundation

All Thread = NC (National Course)

Provide 1 nut per rod. Deform thread or use chemical thread lock to secure.

OS-A-6A

6-1-12

FILE NAME : o:\p\work\p\idat\patel\08369578\034616-shr-detail.dgn	USER NAME : Patel.j	DESIGNED - YOGESH PATEL	REVISED -	<b>STATE OF ILLINOIS DEPARTMENT OF TRANSPORTATION</b>	<b>OVERHEAD SIGN STRUCTURES SUPPORT FRAME DETAILS - ALUMINUM TRUSS</b>		F.A.I. RTE.	SECTION	COUNTY	TOTAL SHEETS	SHEET NO.
PLOT SCALE : 250000.0000 / 1 in.	CHECKED - RON WOODSHANK	DRAWN - YOGESH PATEL	REVISED -		180	D-3 OVD SIN STR REPL 14-50	BUREAU	24	15	CONTRACT NO. 46316	
PLOT DATE : 2/3/2014	DATE -	CHECKED -	REVISED -		SCALE:	SHEET NO. 6 OF 11 SHEETS	STA.	TO STA.		ILLINOIS FED. AID PROJECT	
		DATE -	REVISED -								