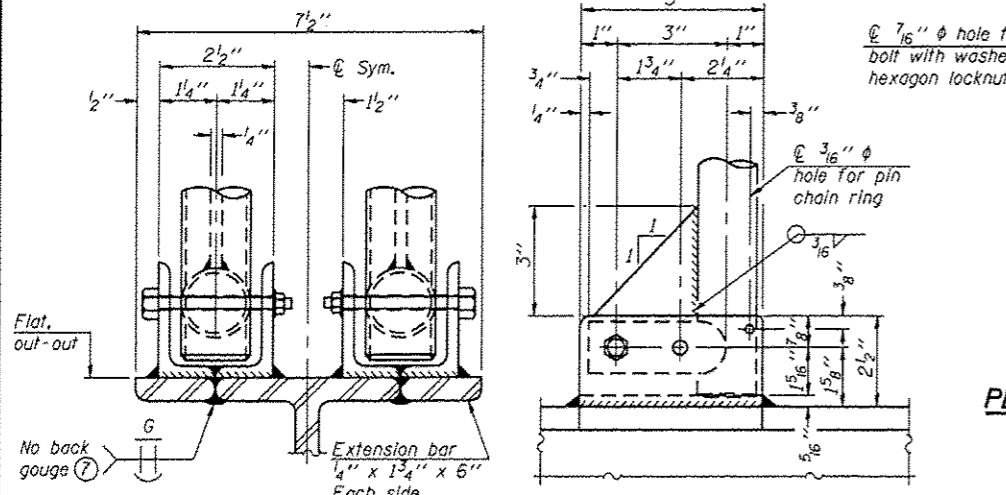
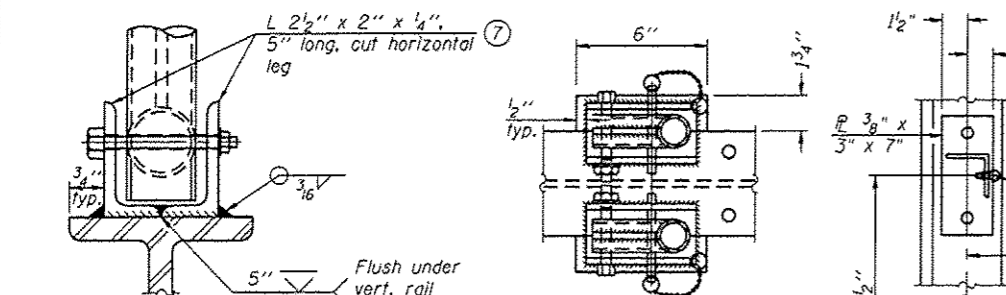


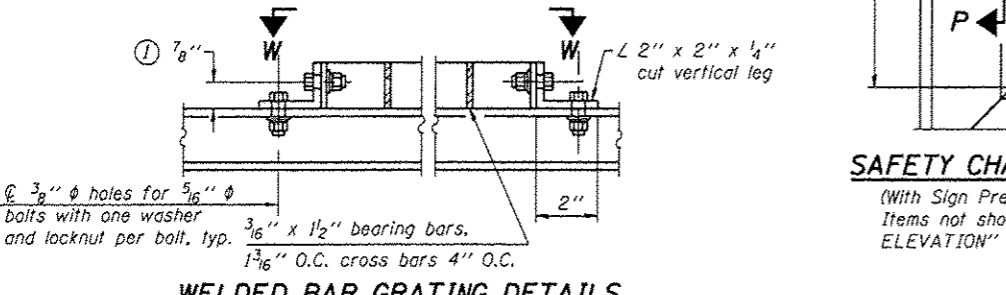
SECTION F-F LIGHTING FIXTURE MOUNTS (IF REQUIRED)



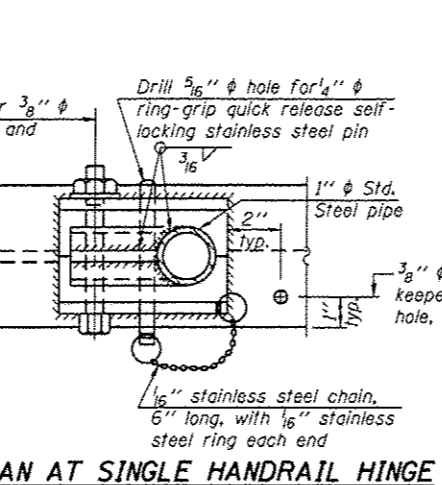
SIDE ELEVATION DETAIL D HANDRAIL FRONT ELEVATION



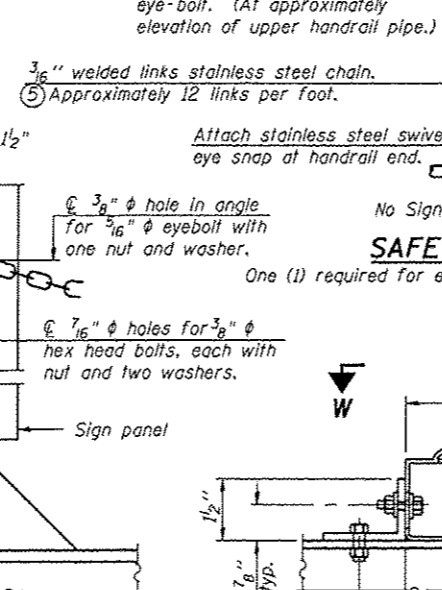
ELEVATION AT HANDRAIL JOINT SIDE ELEVATION



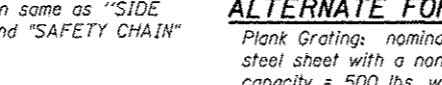
FRONT ELEVATION PLAN AT HANDRAIL JOINT WELDED BAR GRATING DETAILS



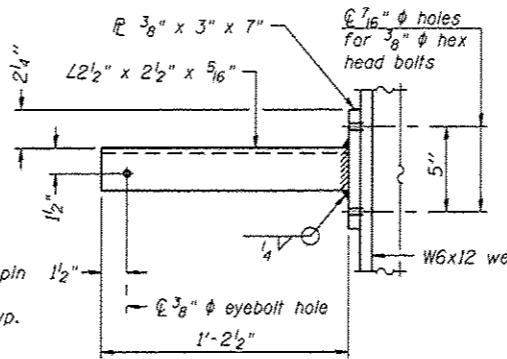
PLAN AT SINGLE HANDRAIL HINGE DETAIL E



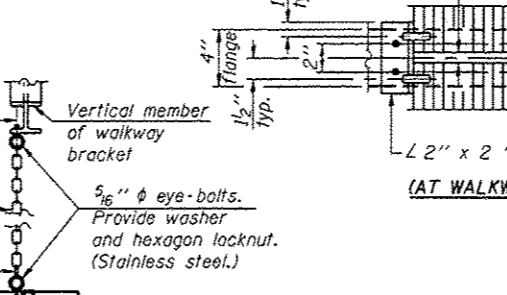
SAFETY CHAIN



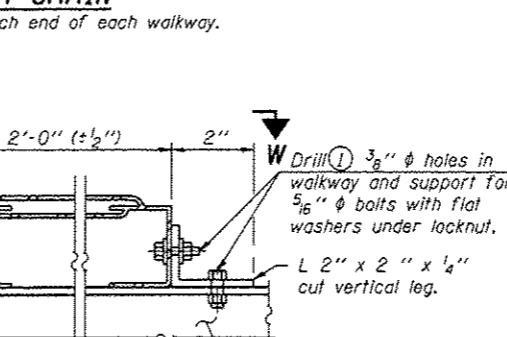
SAFETY CHAIN ATTACHMENT



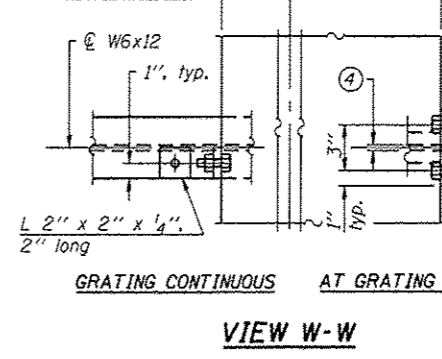
SECTION P-P



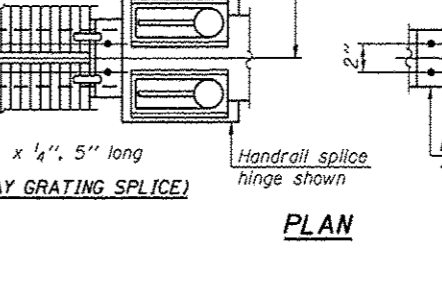
VIEW W-W



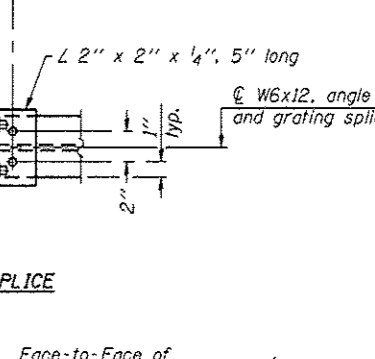
ALTERNATE FORMED PLANK GRATING DETAILS



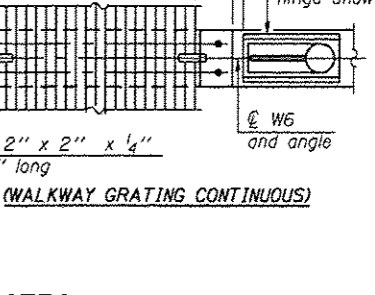
DETAIL F DETAIL G



GRATING CONTINUOUS AT GRATING SPLICE PLAN



DETAIL H



WALKWAY GRATING CONTINUOUS

- NOTES**
- Drilling holes in grating may be done in shop or field, based on Contractor's preference and subject to accurate alignment. Field drilled holes must be touched up with galvanized paint.
 - Horizontal rail member shall be continuous thru 1 1/4 inch diameter pipe. Provide 7/16 inch diameter hole in 1 1/4 inch diameter pipe for 3/8 inch diameter bolt. Field drill 7/16 inch diameter hole in horizontal rail member. Provide washer and locknut for bolt. (Use 5/16 inch diameter eye-bolts in 7/16 inch diameter holes on top rail at ends only.)
 - Install standard force-fit end caps or weld 1/8 inch end plates with 1/8 inch c.f.w. and grind smooth. (All rail ends.)
 - 3/8 inch (± 1/4 inch) gap between grating panels at splice.
 - Chain to be type 304L stainless steel suitable for prolonged exterior exposure. Approximately 3'-6" long chain per location. Maximum sag with handrail erected = 4".
 - 1/8 inch x 1/2 inch x 2 inch welded to handrail posts to protect locations that contact grating.
 - Extrusions may be used in lieu of details shown, with approval by Engineer.
 - Field cut ends of light support channels shall be free of burrs or hazardous projections and coated with zinc-rich primer or equivalent.

BM-4 FILE NAME: 16-shr-detailed.dgn USER NAME: Pateli, J DESIGNED: YOGESH PATEL DRAWN: YOGESH PATEL CHECKED: RON WOODSHANK DATE:		6-1-12 16-shr-detailed.dgn 250000.0000 / in. 2/3/2014		DESIGNED: YOGESH PATEL DRAWN: YOGESH PATEL CHECKED: RON WOODSHANK DATE:		REVISED: - REVISED: - REVISED: - REVISED: -		STATE OF ILLINOIS DEPARTMENT OF TRANSPORTATION		BRIDGE MOUNT SIGN STRUCTURES WALKWAY DETAILS		F.A.I. RITE. SECTION COUNTY TOTAL SHEETS SHEET NO. 180 D-3 OVO SIN STR REPL 14-50 BUREAU 24 24 CONTRACT NO. 46316	
SCALE: 1/8" = 1'-0"		SHEET NO. 4 OF 4 SHEETS		STA. TO STA.		ILLINOIS FED. AID PROJECT							