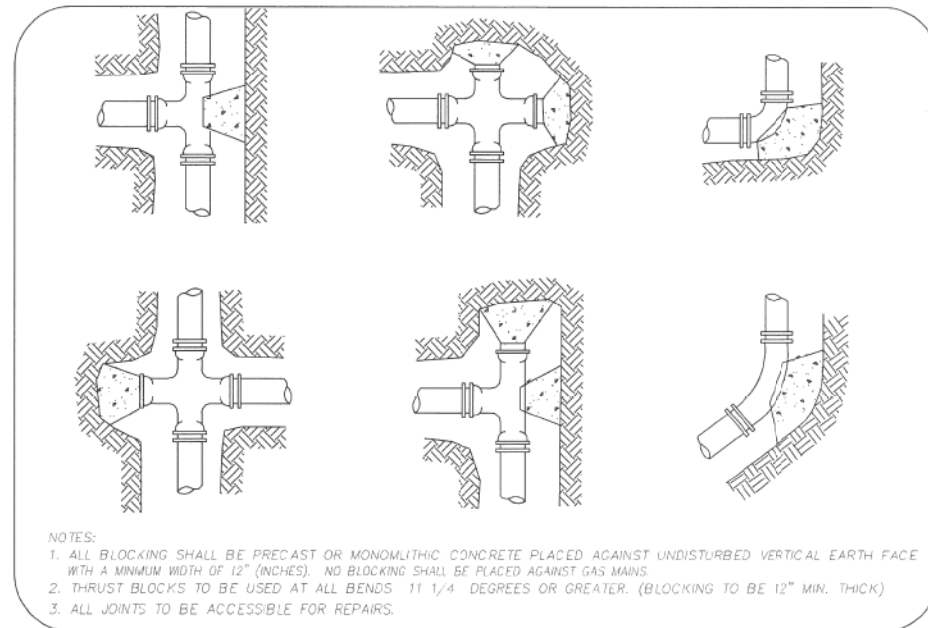
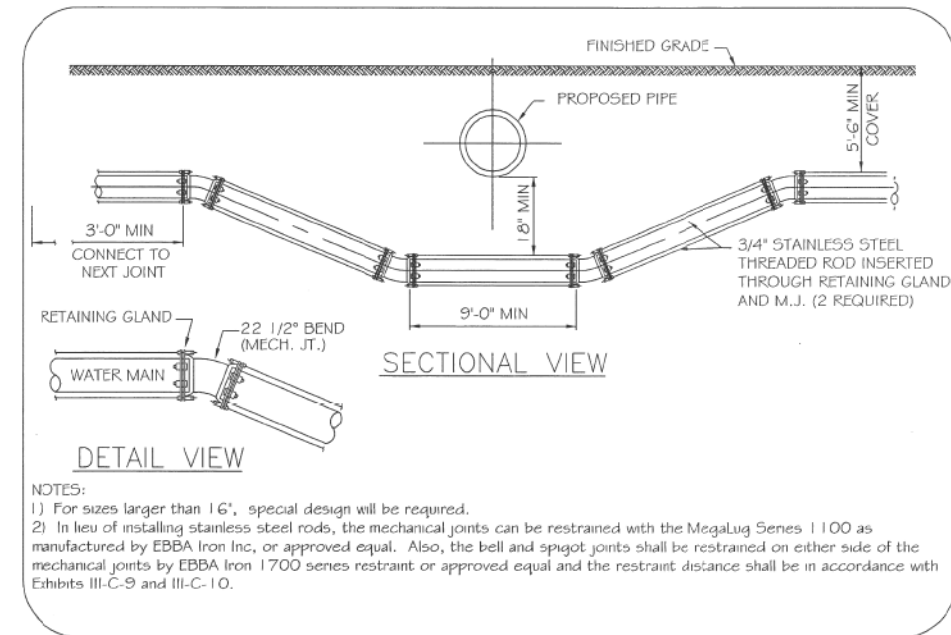


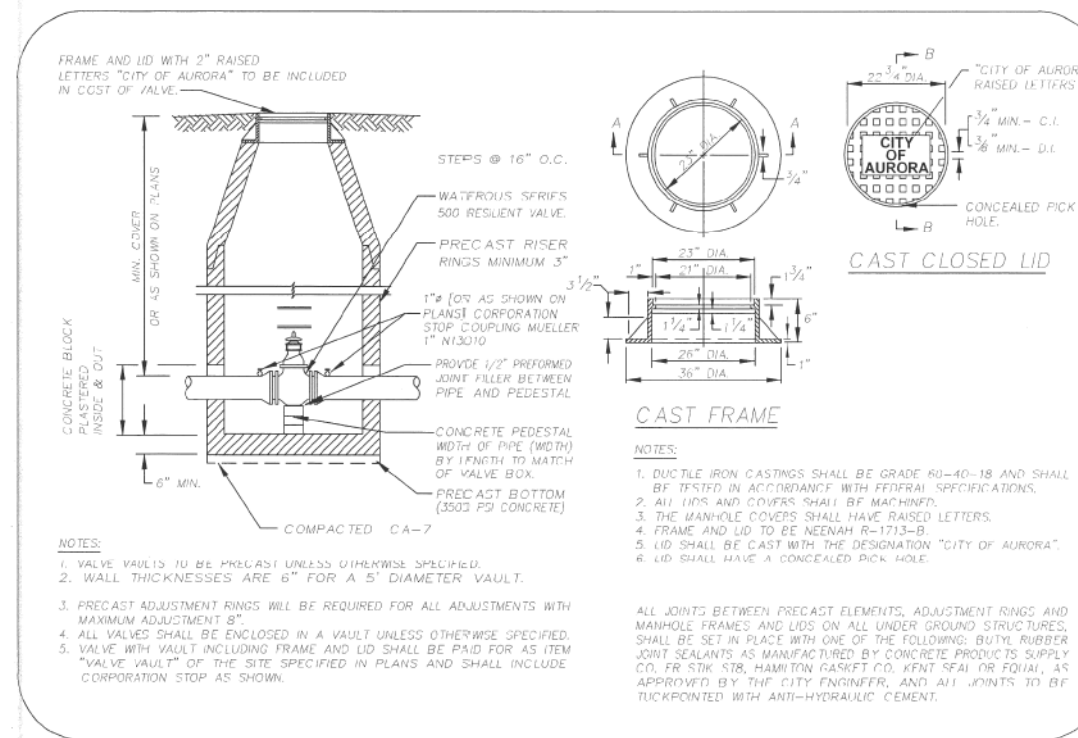
WATER MAIN



THRUST BLOCK DETAIL



WATERMAIN LOWERING DETAIL



VALVE VAULT AND LID DETAIL

FILE NAME = Q:\Aurora\351278\US 34 Water Main Relocation\Roadway Drawings\Plan&Profile\Aurora_WaterMain-shd-Details-2-1.dgn



USER NAME = URS	DESIGNED - MB	REVISED -
	DRAWN - JMA	REVISED -
PLOT SCALE = 48.0000' / in.	CHECKED - SPF	REVISED -
PLOT DATE = 02/28/2014	DATE - 02/28/2014	REVISED -

CITY OF AURORA

WATER MAIN DETAILS - 2

SCALE: 20 SHEET NO. 6 OF 7 SHEETS STA. TO STA.

F.A.P. RTE.	SECTION	COUNTY	TOTAL SHEETS	SHEET NO.
311		DUPAGE	383	115
FED. ROAD DIST. NO. 1 ILLINOIS FED. AID PROJECT				