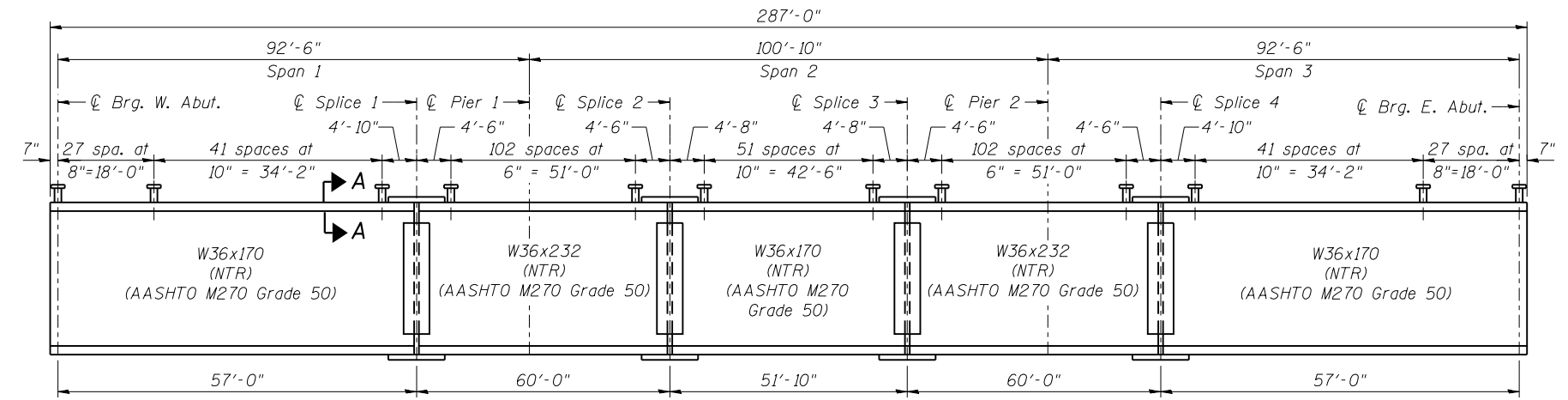
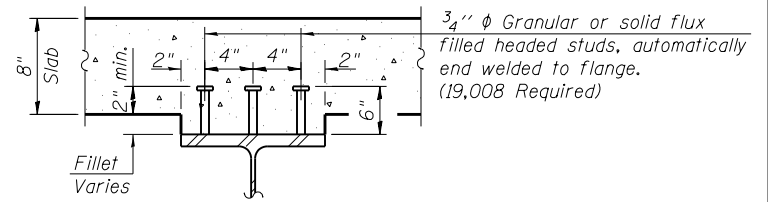


FRAMING PLAN



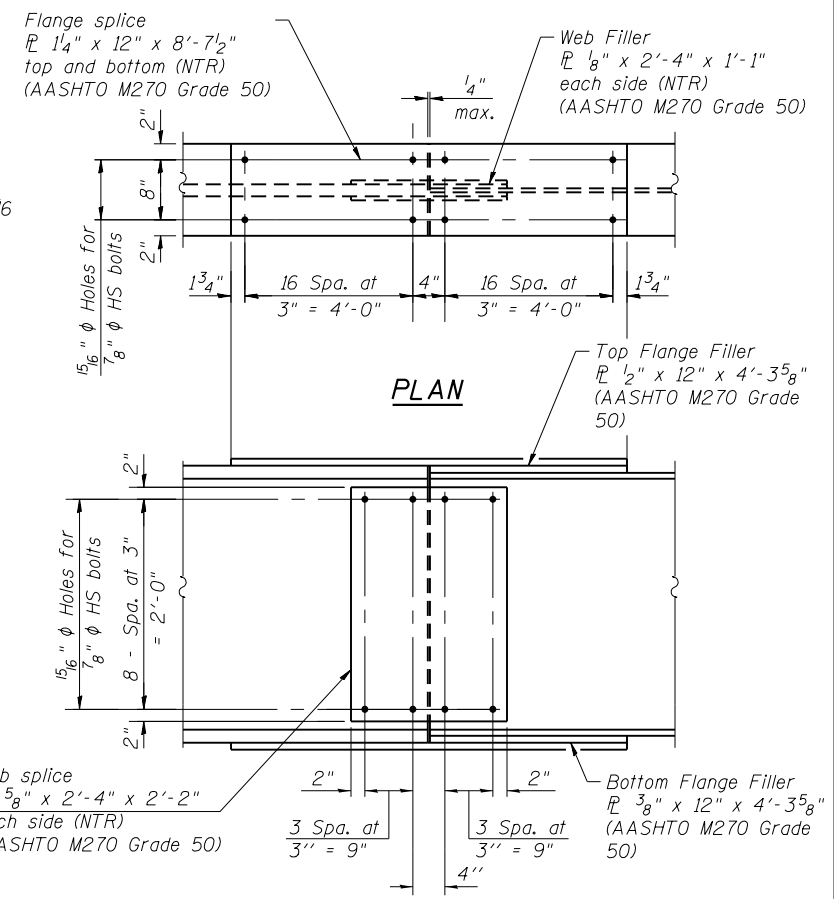
BEAM ELEVATION



SECTION A-A

NOTES

1. See Sheet S-28 for diaphragm details, top of beam elevations, and moment and reaction tables.
2. For Bearing Details, see Sheets S-29 and S-30.
3. All cross frames or diaphragms shall be installed as steel is erected and secured with erection pins and bolts except as otherwise noted. Individual cross frames or diaphragms at supports may be temporarily disconnected to install bearing anchor rods.
4. Load carrying components designated "NTR" shall conform to the Impact Testing Requirement, Zone 2.



ELEVATION

SPlice DETAIL

(64 Required)



USER NAME =	DESIGNED - BAR	REVISED
	CHECKED - AMK/PMH	REVISED
PLOT SCALE =	DRAWN - BAR	REVISED
PLOT DATE = 02/28/2014	CHECKED - PMH	REVISED

**STATE OF ILLINOIS
DEPARTMENT OF TRANSPORTATION**

**FRAMING PLAN AND BEAM ELEVATION
STRUCTURE NO. 022-0512**

SHEET NO. S-27 OF S-53 SHEETS

F.A.P. RTE.	SECTION	COUNTY	TOTAL SHEETS	SHEET NO.
311	652-A	DuPAGE	383	190
CONTRACT NO. 60R06			ILLINOIS FED. AID PROJECT	