

DRILLED SHAFT SCHEDULE

Shaft Designation	No. Shafts	Bottom of Footing	Tip Elevation	Est. Top of Rock	Vertical Reinforcement	Spiral Reinforcement	Pitch	Dowel Bar Reinforcement	Total Length	Rock Socket Length
S2	4	704.85	660	616.3	21x2-#9 v ₃₀₁	1x2-#5 s _{D305}	4"	21-#9 n _{300(E)}	44.9	-
S4	10	704.85	660	616.3	13x2-#9 v ₃₀₄	1x2-#5 s _{D306}	5 1/2"	13-#9 n _{301(E)}	44.9	-
S5	24	704.85	648	616.3	13x2-#9 v ₃₀₂	1x2-#5 s _{D307}	5 1/2"	13-#9 n _{301(E)}	56.9	-
S6	13	704.85	609	616.3	21x3-#9 v ₃₀₃	1x3-#5 s _{D308}	4"	21-#9 n _{300(E)}	95.9	7.30'
S15	3	704.85	648	616.3	21x2-#9 v ₃₁₂	1x2-#5 s _{D319}	4"	21-#9 n _{300(E)}	56.9	-

Notes:
See sheets NW-4 thru NW-8 for Drilled Shaft Locations.

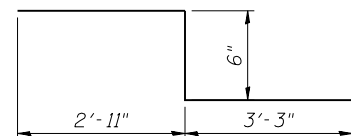
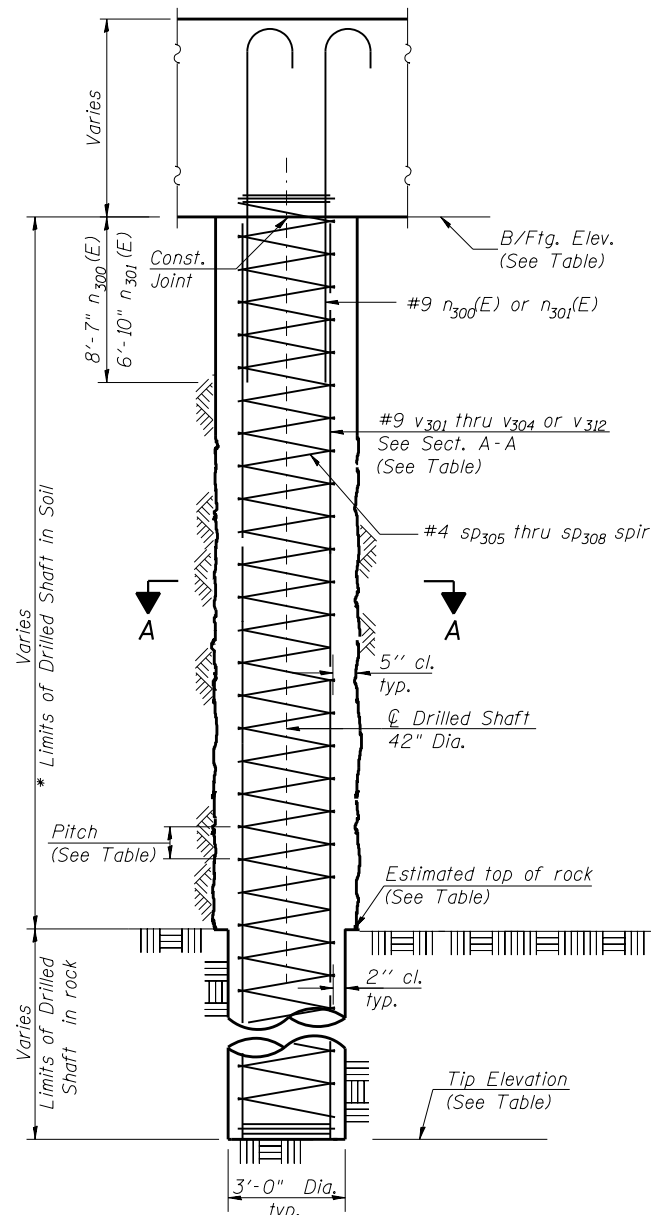
MINIMUM BAR LAP

#9 v₃₀₁, v₃₀₃ and v₃₁₂ Bars = 5'-9"
#9 v₃₀₂ and v₃₀₄ Bars = 4'-7"

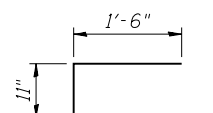
**BILL OF MATERIAL
DRILLED SHAFT**

Bar	No.	Size	Length	Shape
n _{300(E)}	420	#9	11'-6"	—
n _{301(E)}	442	#9	9'-9"	—
s _{D305}	8	#5	22'-8"	⋈
s _{D306}	20	#5	22'-8"	⋈
s _{D307}	48	#5	28'-8"	⋈
s _{D308}	39	#5	32'-1"	⋈
s _{D319}	6	#5	28'-8"	⋈
v ₃₀₁	168	#9	25'-4"	—
v ₃₀₄	260	#9	24'-9"	—
v ₃₀₂	624	#9	30'-9"	—
v ₃₀₃	819	#9	35'-10"	—
v ₃₁₂	126	#9	31'-4"	—

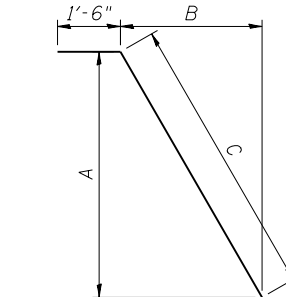
**Length is height of spiral.
Minimum lap for spirals = 2'-6"



BAR w122(E)

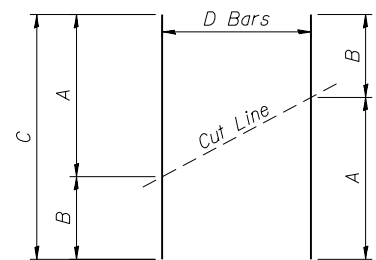


BAR h102(E)



BARS n222(E) & n224(E)

Bar	A	B	C
n _{222(E)}	23'-8"	12'-9 1/8"	26'-11"
n _{224(E)}	19'-8 1/2"	12'-9 5/8"	23'-6"



**BARS h170(E), h171(E),
v124(E), v129(E) &
v200(E) thru v204(E)**

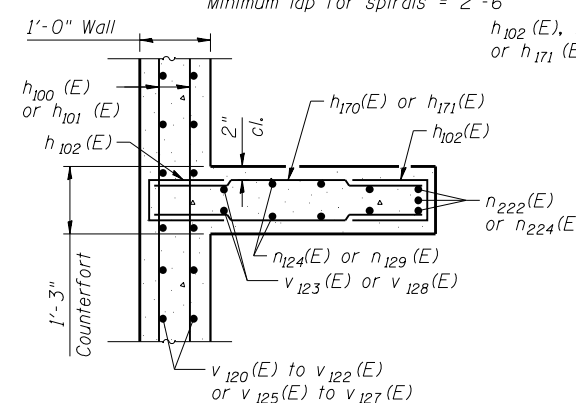
Bar	A	B	C	D
h _{170(E)}	14'-2"	2'-1"	16'-3"	23
h _{171(E)}	14'-2"	2'-1"	16'-3"	20
v _{124(E)}	23'-8"	4'-5"	28'-1"	12
v _{129(E)}	19'-8"	4'-1"	23'-9"	12
v _{200(E)}	8'-4"	7'-0"	15'-4"	31
v _{201(E)}	9'-0"	7'-10"	16'-10"	31
v _{202(E)}	7'-10"	6'-8"	14'-6"	31
v _{203(E)}	8'-8"	7'-8"	16'-4"	31
v _{204(E)}	7'-8"	7'-0"	14'-8"	23

BAR n221(E) & n223(E)

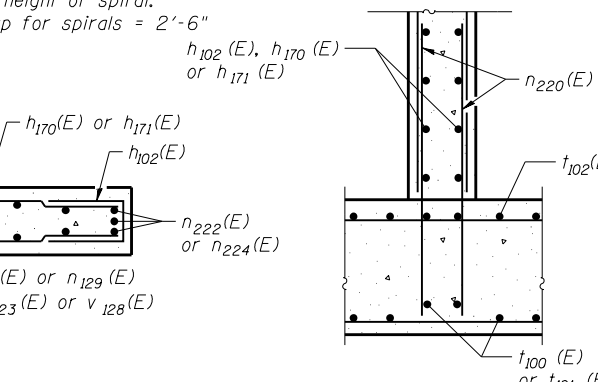
Bar	A	B
n _{221(E)}	4'-7 3/8"	2'-6"
n _{223(E)}	4'-4 1/8"	2'-10 3/8"

**BARS n161(E) thru n163(E),
n166(E) thru n168(E),
n300(E) and n301(E)**

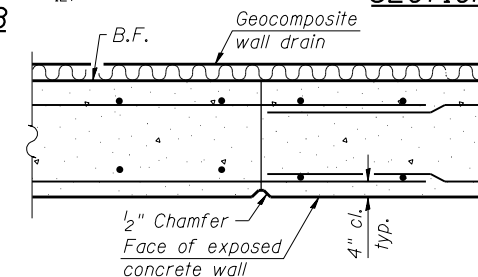
Bar	A	B	C
n _{161(E)}	13'-0"	1'-3"	11 3/4"
n _{162(E)}	13'-0"	11"	8"
n _{163(E)}	11'-5"	11"	8"
n _{166(E)}	10'-2"	8"	6"
n _{167(E)}	8'-9"	8"	6"
n _{168(E)}	8'-9"	7"	5"
n _{300(E)}	10'-3"	1'-3"	11 3/4"
n _{301(E)}	8'-6"	1'-3"	11 3/4"



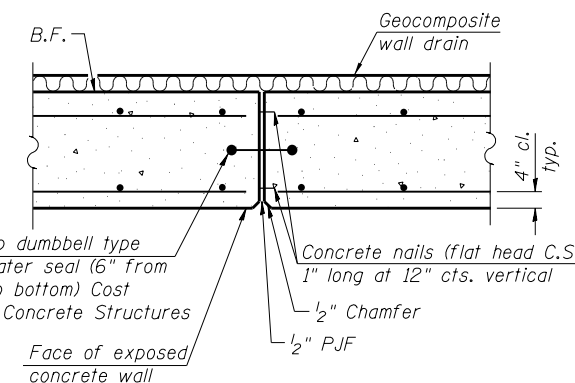
SECTION B-B



SECTION C-C



CONSTRUCTION JOINT DETAIL

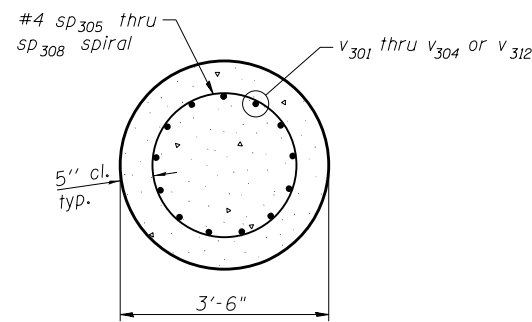


EXPANSION JOINT DETAIL

DRILLED SHAFT DETAILS

* The quantities and detailing are based on the estimated elevations shown on the plans. The actual elevations may differ at each shaft and corresponding adjustments shall be made to the drilled shaft and reinforcement quantities and payment limits.

** Provide 1/2 extra turns top and bottom of each drilled shaft. Extend spiral 2" into retaining wall footing. Provide min. 4-#4 spacers or equivalent.



SECTION A-A

BILL OF MATERIAL - NW RETAINING WALL

Bar	No.	Size	Length	Shape
h _{100(E)}	257	#5	29'-8"	—
h _{101(E)}	586	#5	32'-11"	—
h _{102(E)}	810	#5	3'-11"	—
h _{130(E)}	18	#5	21'-3"	—
h _{170(E)}	207	#5	16'-3"	—
h _{171(E)}	180	#5	16'-3"	—
n _{100(E)}	44	#6	8'-6"	—
n _{101(E)}	348	#5	8'-6"	—
n _{160(E)}	93	#5	7'-2"	—
n _{161(E)}	61	#9	14'-3"	—
n _{162(E)}	61	#8	13'-11"	—
n _{163(E)}	61	#8	12'-4"	—
n _{164(E)}	93	#5	6'-2"	—
n _{166(E)}	62	#6	10'-10"	—
n _{167(E)}	62	#6	9'-5"	—
n _{168(E)}	62	#5	9'-4"	—
n _{169(E)}	276	#5	6'-8"	—
n _{220(E)}	504	#5	5'-3"	—
n _{221(E)}	27	#7	8'-11"	—
n _{222(E)}	27	#7	28'-5"	—
n _{223(E)}	27	#7	8'-11"	—
n _{224(E)}	27	#7	25'-0"	—
t _{100(E)}	365	#5	15'-8"	—
t _{101(E)}	61	#6	15'-8"	—
t _{102(E)}	603	#7	15'-8"	—
t _{103(E)}	61	#8	15'-8"	—
t _{110(E)}	272	#5	11'-8"	—
v _{120(E)}	186	#5	24'-7"	—
v _{123(E)}	18	#5	23'-8"	—
v _{124(E)}	108	#5	28'-1"	—
v _{125(E)}	62	#5	21'-6"	—
v _{126(E)}	62	#5	20'-3"	—
v _{127(E)}	62	#5	18'-11"	—
v _{128(E)}	18	#5	19'-8"	—
v _{129(E)}	108	#5	23'-9"	—
v _{160(E)}	31	#5	19'-3"	—
v _{161(E)}	31	#5	17'-10"	—
v _{162(E)}	31	#5	16'-4"	—
v _{163(E)}	31	#7	14'-6"	—
v _{164(E)}	62	#6	12'-2"	—
v _{165(E)}	31	#5	15'-5"	—
v _{166(E)}	31	#5	13'-11"	—
v _{167(E)}	31	#5	12'-6"	—
v _{168(E)}	62	#5	10'-8"	—
v _{169(E)}	62	#5	9'-2"	—
v _{200(E)}	31	#5	15'-4"	—
v _{201(E)}	31	#5	16'-10"	—
v _{202(E)}	31	#5	14'-6"	—
v _{203(E)}	31	#6	16'-4"	—
v _{204(E)}	23	#5	14'-8"	—
v _{260(E)}	62	#5	7'-9"	—
v _{261(E)}	62	#5	11'-5"	—
v _{262(E)}	31	#5	10'-0"	—
w _{120(E)}	678	#5	32'-11"	—
w _{122(E)}	17	#5	6'-8"	—

Structure Excavation	Cu. Yd.	1,762
Concrete Structures	Cu. Yd.	1,220.8
Reinforcement Bars	Pounds	292,740
Reinforcement Bars, Epoxy Coated	Pounds	174,600



USER NAME =
DESIGNED - KMP
CHECKED - AMK
PLOT SCALE =
DRAWN - KMP
PLOT DATE = 02/28/2014
CHECKED - NPP

DESIGNED - KMP
CHECKED - AMK
DRAWN - KMP
CHECKED - NPP

REVISED
REVISED
REVISED
REVISED

STATE OF ILLINOIS
DEPARTMENT OF TRANSPORTATION

MISCELLANEOUS DETAILS
STRUCTURE NO. 022-W068

SHEET NO. NW-10 OF NW-16 SHEETS

F.A.P. RT.E.	SECTION	COUNTY	TOTAL SHEETS	SHEET NO.
311	652-A	DuPAGE	383	226

CONTRACT NO. 60R06
ILLINOIS FED. AID PROJECT