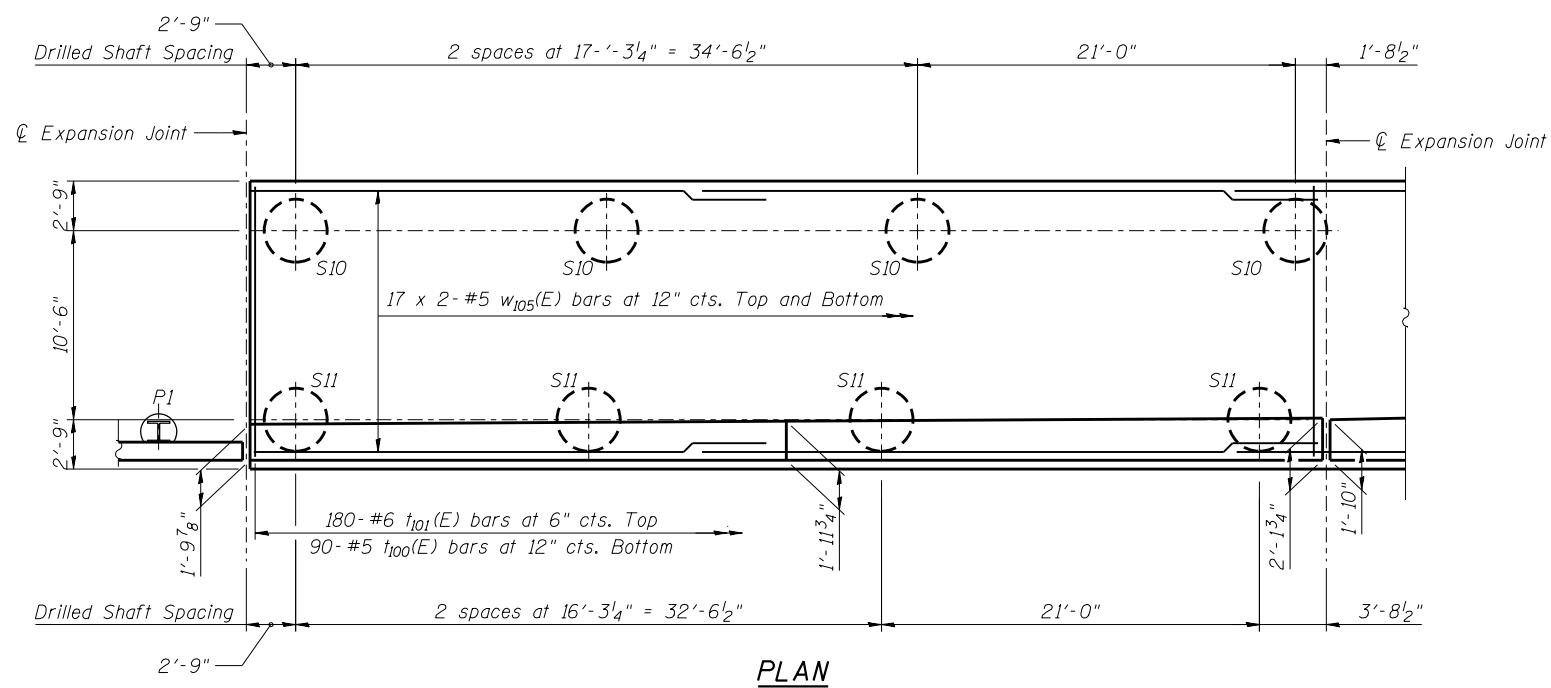
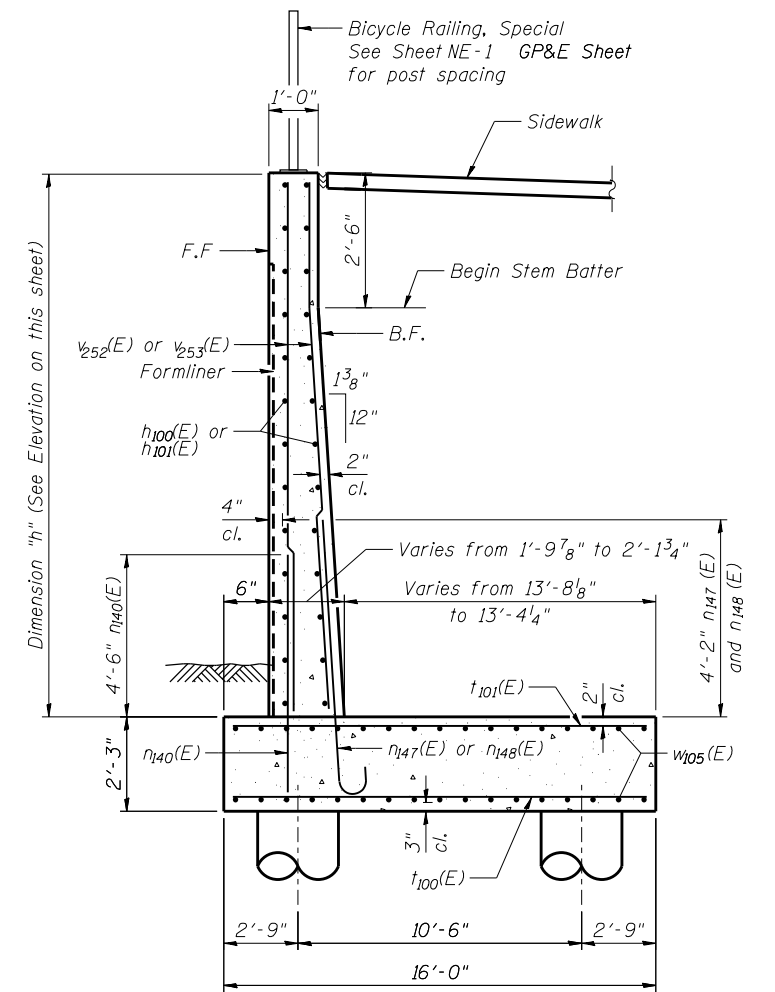


ELEVATION



PLAN



SECTION A-A

MINIMUM BAR LAP

- #5 bar = 2'-7" (Vertical)
- #5 bar = 2'-11" (Horizontal)

NOTES

1. F.F. - Denotes Front Face
- B.F. - Denotes Back Face
- E.F. - Denotes Each Face
2. See Sheet NE-11 for Bill of Material, Bar Bending Diagrams.
3. See General Plan and Elevation Sheet for Location and Spacing of Rail Posts.



USER NAME =	DESIGNED - KMP	REVISED
	CHECKED - AMK	REVISED
PLOT SCALE =	DRAWN - KJZ	REVISED
PLOT DATE = 02/28/2014	CHECKED - NPP	REVISED

**STATE OF ILLINOIS
DEPARTMENT OF TRANSPORTATION**

**DETAIL PLAN AND ELEVATION 2
STRUCTURE NO. 022-W070**

SHEET NO. NE-5 OF NE-18 SHEETS

F.A.P. RTE.	SECTION	COUNTY	TOTAL SHEETS	SHEET NO.
311	652-A	DuPAGE	383	252
CONTRACT NO. 60R06				
ILLINOIS FED. AID PROJECT				