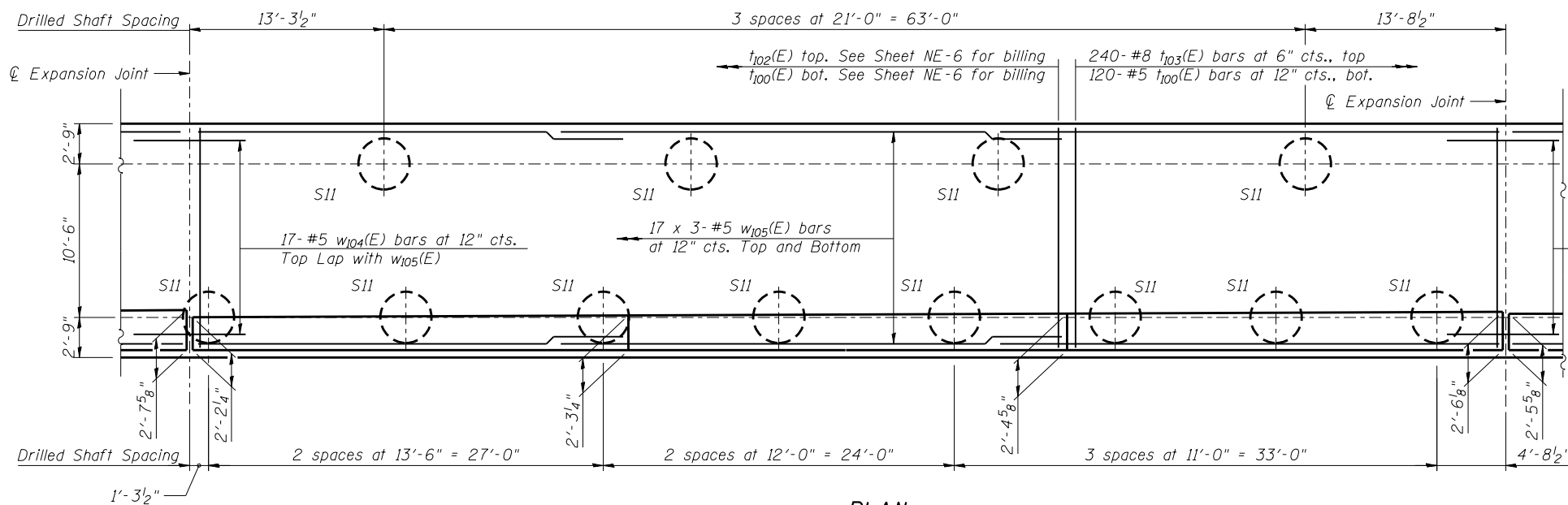
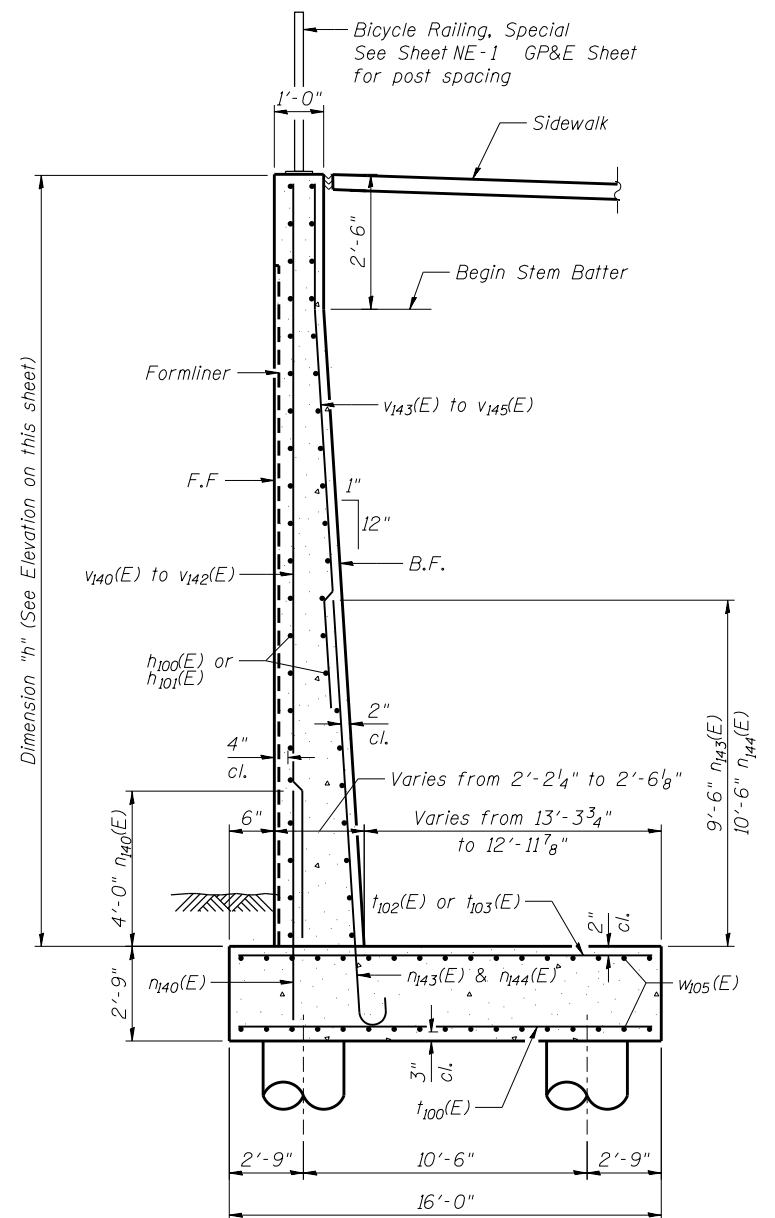


**ELEVATION**



**PLAN**



**SECTION A-A**

**MINIMUM BAR LAP**  
 #5 bar = 2'-7" (Vertical)  
 #5 bar = 2'-11" (Horizontal)  
 #6 bar = 3'-1"

- NOTES**
1. F.F. - Denotes Front Face  
B.F. - Denotes Back Face  
E.F. - Denotes Each Face
  2. See Sheet NE-11 for Bill of Material, Bar Bending Diagrams.
  3. See General Plan and Elevation Sheet for Location and Spacing of Rail Posts.



USER NAME =  
 PLOT SCALE =  
 PLOT DATE = 02/28/2014

DESIGNED - KMP  
 CHECKED - AMK  
 DRAWN - KJZ  
 CHECKED - NPP

REVISED  
 REVISED  
 REVISED  
 REVISED

STATE OF ILLINOIS  
 DEPARTMENT OF TRANSPORTATION

DETAIL PLAN AND ELEVATION 4  
 STRUCTURE NO. 022-W070

SHEET NO. NE-7 OF NE-18 SHEETS

F.A.P. RTE.	SECTION	COUNTY	TOTAL SHEETS	SHEET NO.
311	652-A	DuPAGE	383	254
CONTRACT NO. 60R06				

ILLINOIS FED. AID PROJECT