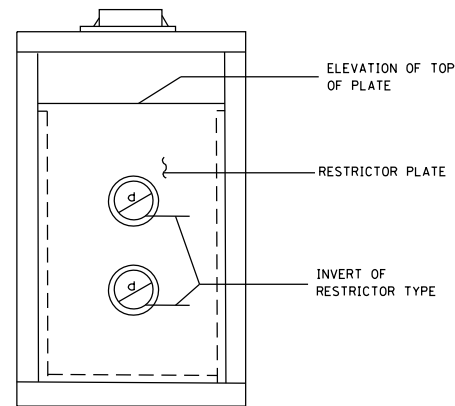
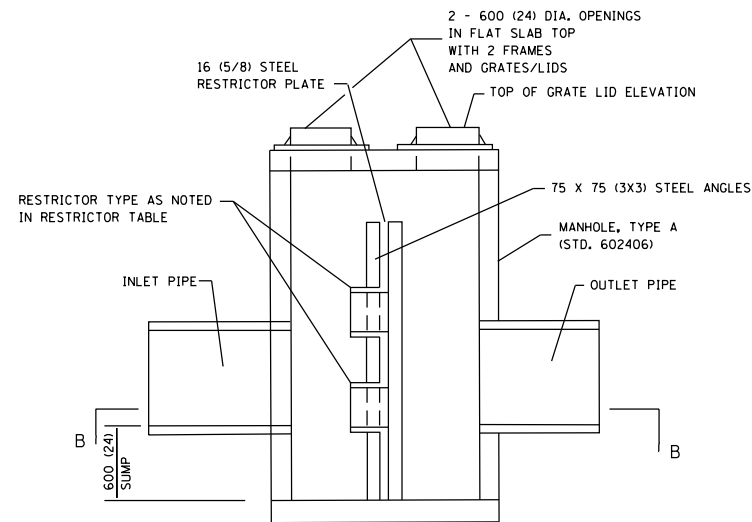
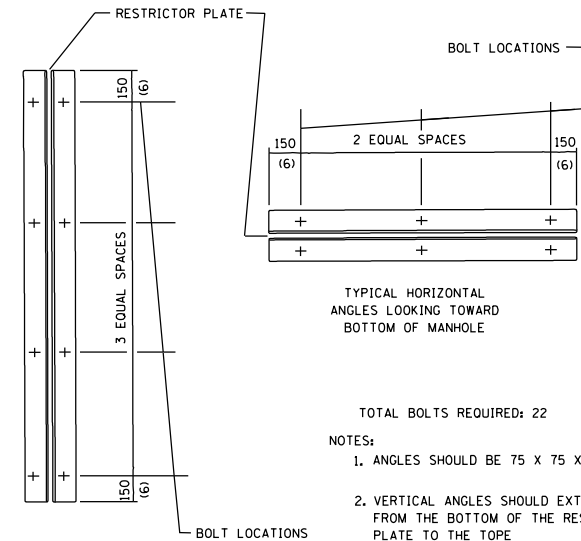


NOTES:

1. ALL STEEL ANGLES AND PLATES TO BE GALVANIZED AFTER FABRICATION.
2. ALL RESTRICTOR PLATES, ANGLES AND HARDWARE TO BE INCLUDED IN THE COST OF THE MANHOLE.
3. BASIS OF PAYMENT: "MANHOLES, TYPE A, 6 FT-DIAMETER, WITH TWO TYPE 1 FRAME, CLOSED LID, RESTRICTOR PLATE" EACH

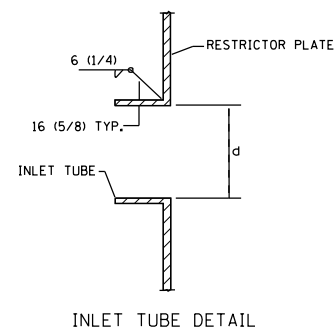


STATION	MANHOLE DIAMETER	FRAME AND GRATE	RESTRICTOR TYPE	INSIDE RESTRICTOR TYPE DIAMETER mm (in.) (d)	INVERT OF RESTRICTOR TYPE	ELEVATION OF TOP OF PLATE OVERFLOW
*129 STA 114+15.0, 43' L	6'	2 - TY-1 FR, CL	C=.61	6.0	697.50	702.00
*206 STA 116+45.0, 37' L	6'	2 - TY-1 FR, CL	C=.61	8.7	701.95	707.00
*333 STA 134+75.5, 51' L	6'	2 - TY-1 FR, CL	C=.61	17.7	703.68	707.25



RESTRICTOR TYPE					
1	2	3	4	5	6
RE-ENTRANT TUBE	SHARP EDGED	SQUARE EDGED	RE-ENTRANT TUBE	SQUARE EDGED	ROUNDED
LENGTH: 1/2 TO 1 DIA		STREAM CLEARS SIDES	LENGTH: 2-1/2 DIA	LENGTH: 2-1/2 DIA	
C=.52	C=.61	C=.61	C=.73	C=.82	C=.98

VALUES OF "C" FOR CIRCULAR AND SQUARE ORIFICES



ALL DIMENSIONS ARE IN MILLIMETERS (INCHES) UNLESS OTHERWISE SHOWN

FILE NAME = Q:\1001\_25368367\_US 34 at CN Ph2\Drawings\Roadway\Drainage\Utility\Outlet Control Structure Details.dgn



USER NAME = URS	DESIGNED - MB	REVISED -
PLOT SCALE = 40.0000' / in.	DRAWN - KJB	REVISED -
PLOT DATE = 02/28/2014	CHECKED - SPF	REVISED -
	DATE - 02/28/2014	REVISED -

STATE OF ILLINOIS  
DEPARTMENT OF TRANSPORTATION

OUTLET CONTROL STRUCTURE DETAILS

SCALE: SHEET NO. OF SHEETS STA. TO STA.

F.A.P. RTE.	SECTION	COUNTY	TOTAL SHEETS	SHEET NO.
311	652-A	DUPAGE	383	294
CONTRACT NO. 60R06				
FED. ROAD DIST. NO. 1 ILLINOIS FED. AID PROJECT				