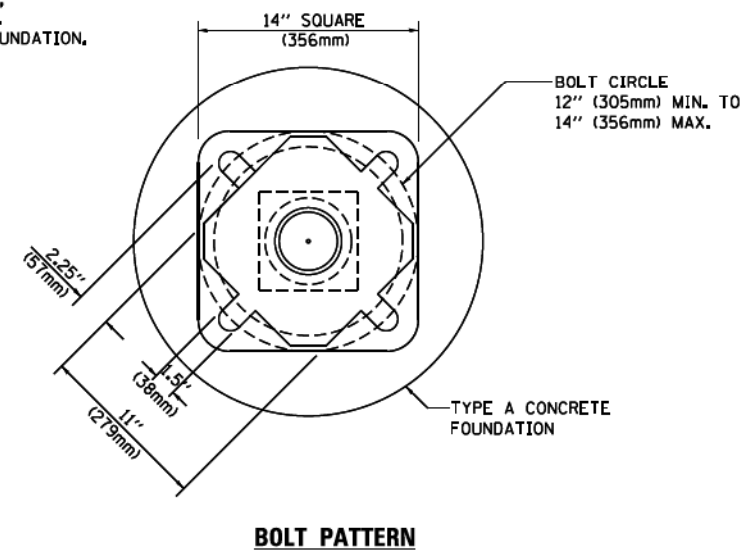


SIGN TABLE

SIGN	DIMENSIONS
R10-3b	9" (228mm) X 12" (305mm)
R10-3d	9" (228mm) X 12" (305mm)
R10-3e	9" (228mm) X 15" (381mm)



PEDESTRIAN PUSH BUTTON POST, TYPE A

FILE NAME =	USER NAME = footemj	DESIGNED - DAG	REVISED - DAG 1-1-14
c:\pe_work\p1\dot\footemj\d8188315\ts05.dgn		DRAWN - GND	REVISED -
	PLOT SCALE = 50.0000 * / in.	CHECKED - DAD	REVISED -
	PLOT DATE = 1/13/2014	DATE - 10/1/2012	REVISED -

**STATE OF ILLINOIS
DEPARTMENT OF TRANSPORTATION**

DISTRICT ONE		F.A. RTE.	SECTION	COUNTY	TOTAL SHEETS	SHEET NO.
		311	652-A	DUPAGE	383	320
SCALE: NONE		SHEET NO. 7 OF 7 SHEETS		STA.	TO STA.	

TS-05		CONTRACT NO. 60R06	
FED. ROAD DIST. NO. 1 [ILLINOIS] FED. AID PROJECT			