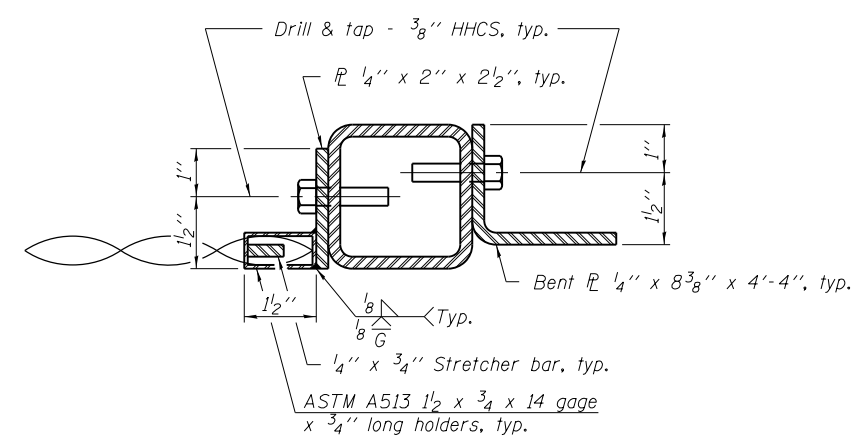
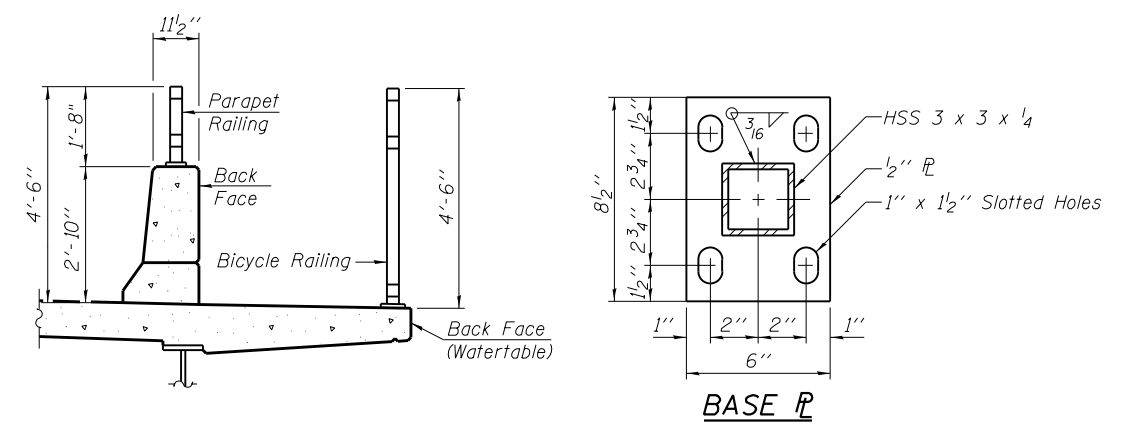


BICYCLE RAILING

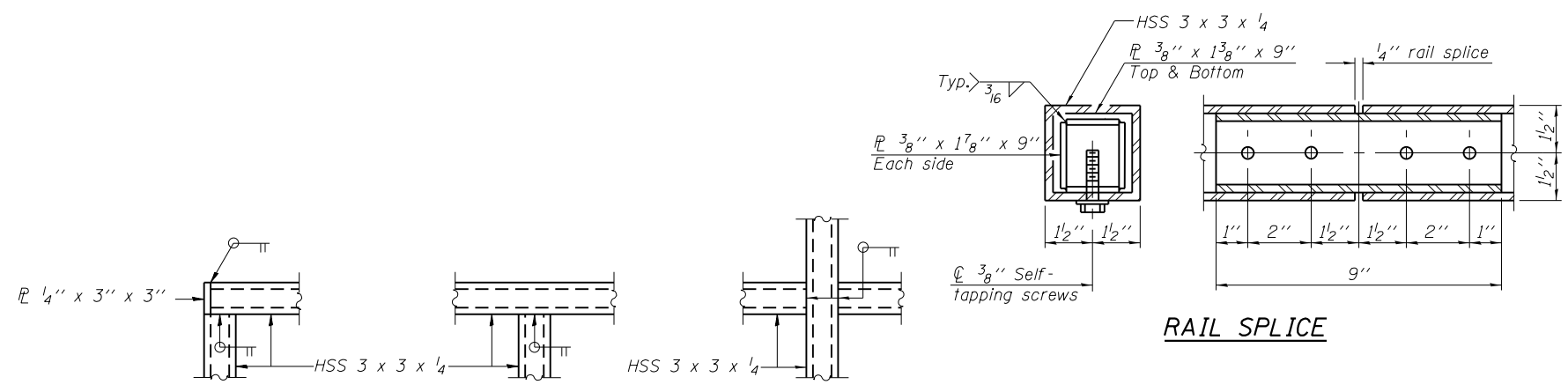


SECTION A-A



SECTION THRU DECK

BASE PL

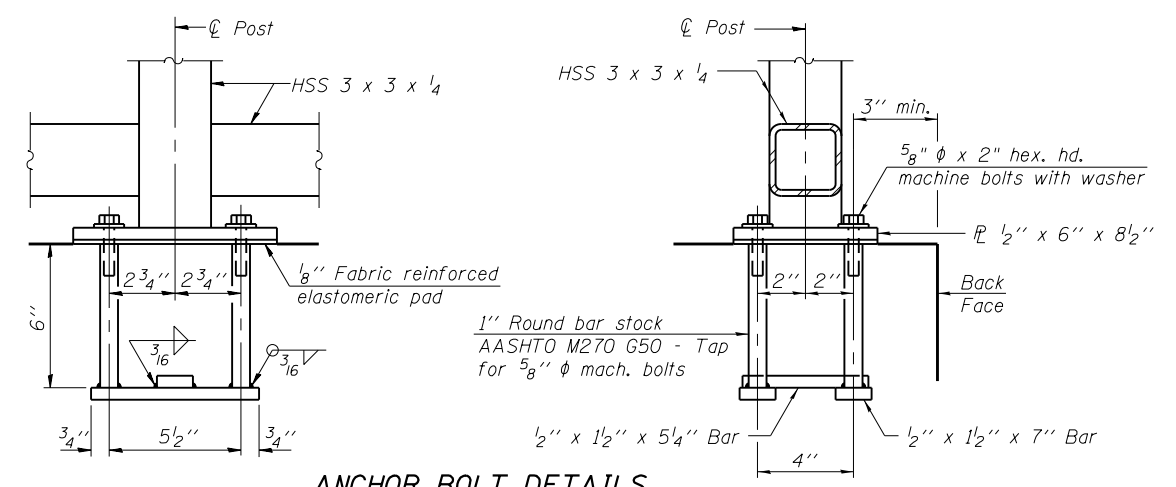


RAIL SPLICE

DETAIL A

DETAIL B

DETAIL C



ANCHOR BOLT DETAILS

In lieu of the cast-in-place anchor device shown, the Contractor has the option of drilling and setting 5/8" φ anchor rods according to Article 509.06 of the Standard Specifications. Embedment shall be according to the manufacturer's specifications.

BILL OF MATERIAL

Item	Unit	Quantity
Bicycle Railing	Foot	58

Notes:
All steel rail elements shall be galvanized according to Article 509.05 of the Standard Specifications.
See Sheet 14 of 35 for Parapet Railing.



USER NAME =	DESIGNED - WJV	REVISED
PLOT SCALE =	CHECKED - CJB	REVISED
PLOT DATE =	DRAWN - WJV	REVISED
	CHECKED - CJB	REVISED

**STATE OF ILLINOIS
DEPARTMENT OF TRANSPORTATION**

**BICYCLE RAILING
STRUCTURE NO. 016-1350
SHEET NO. 15 OF 35 SHEETS**

F.A.P. RTE.	SECTION	COUNTY	TOTAL SHEETS	SHEET NO.
353	11-Y-A	COOK	354	200
CONTRACT NO. 60R19				

ILLINOIS FED. AID PROJECT