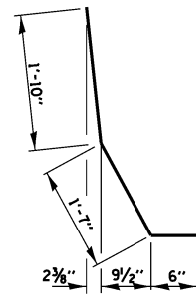
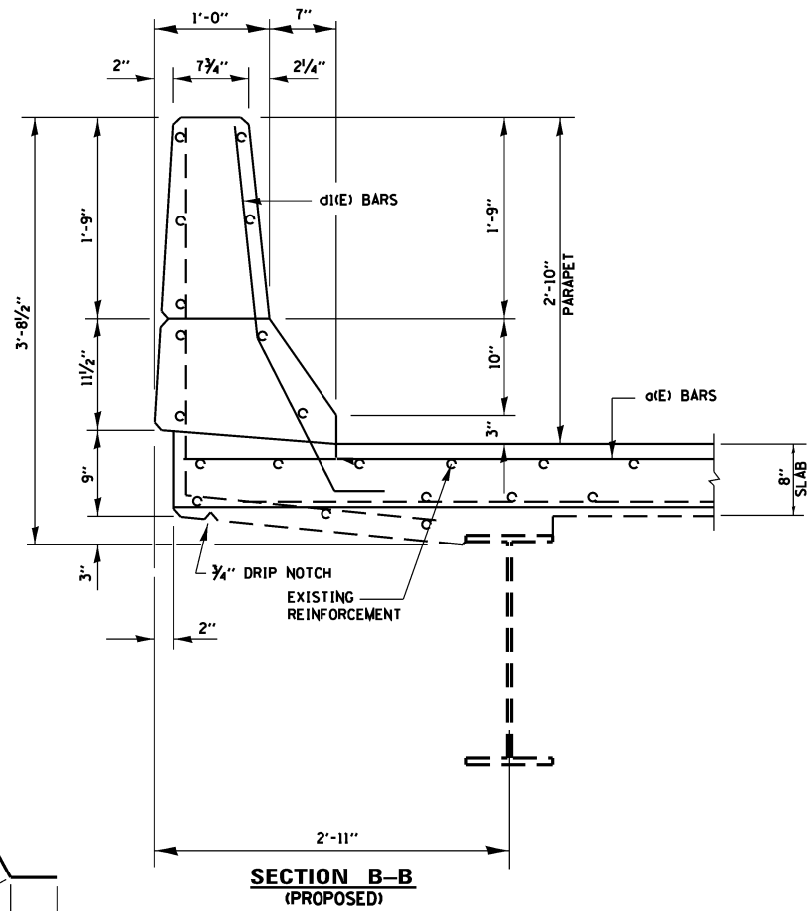


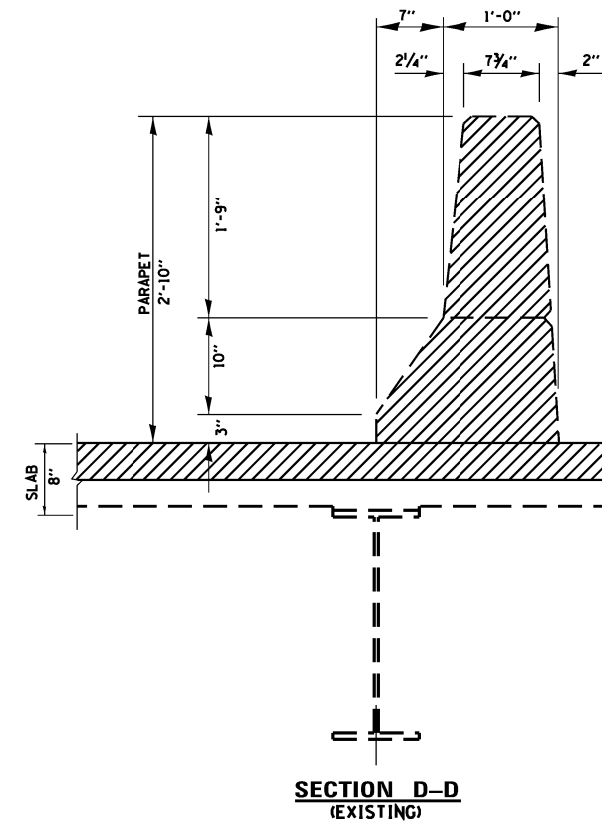
SECTION B-B
(EXISTING)



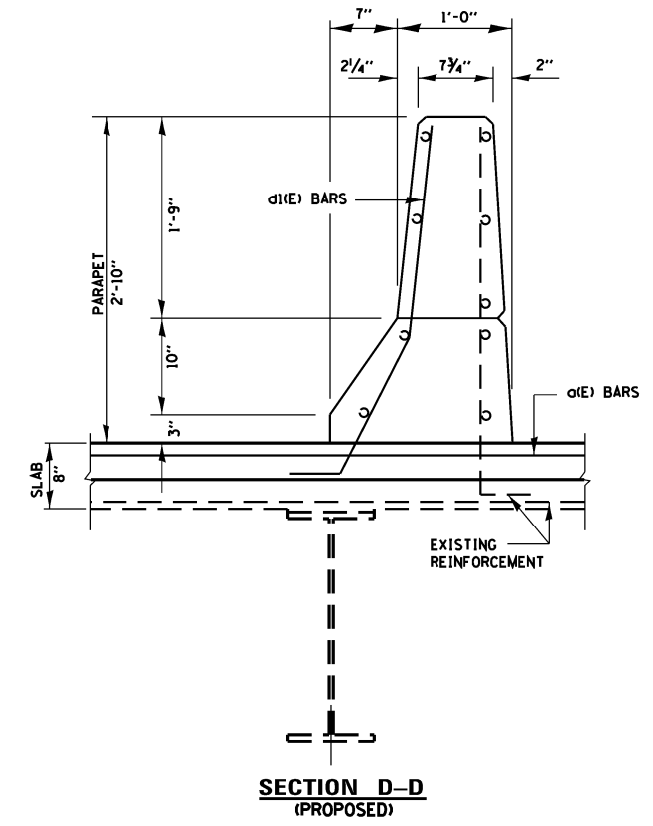
BAR d1(E)



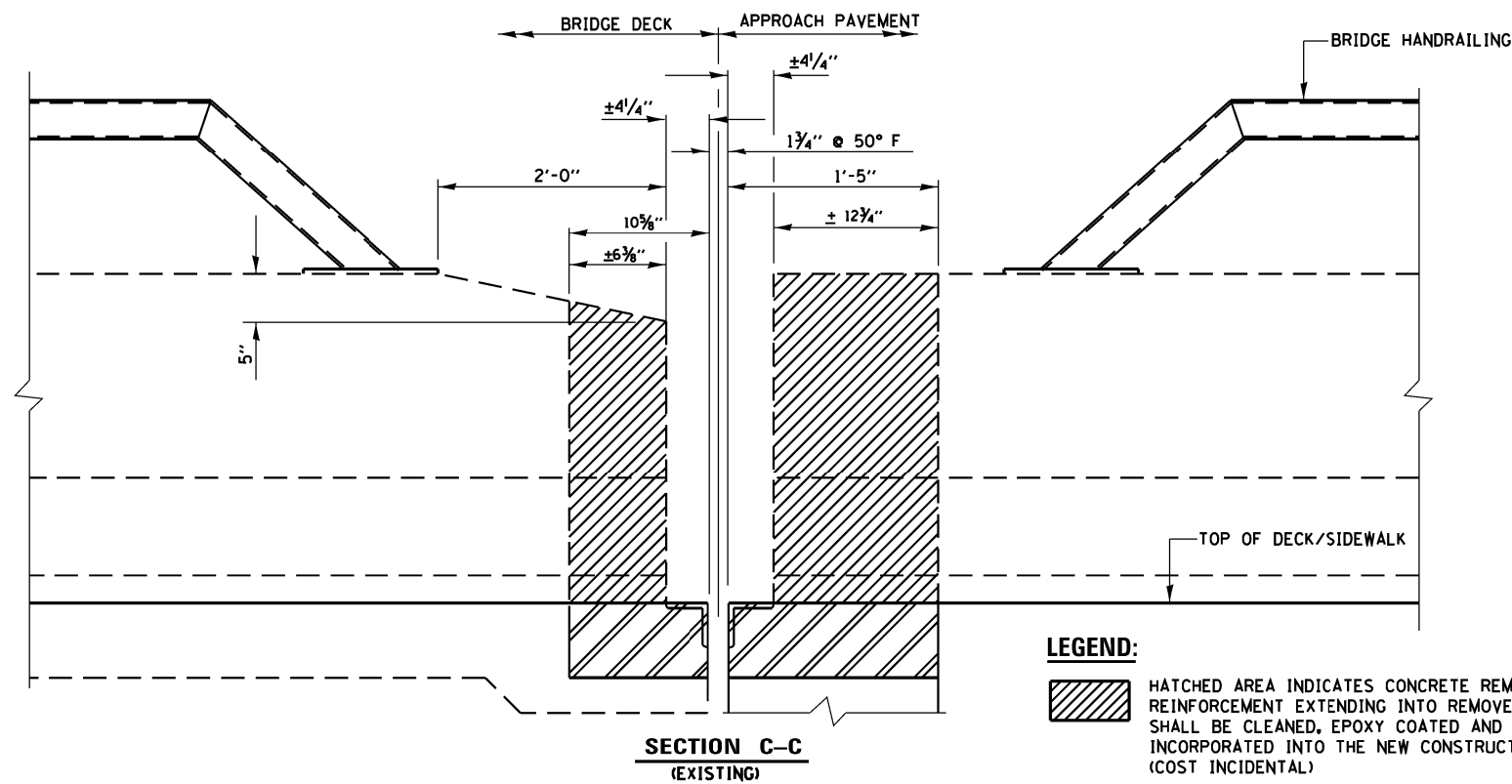
SECTION B-B
(PROPOSED)




SECTION D-D
(EXISTING)

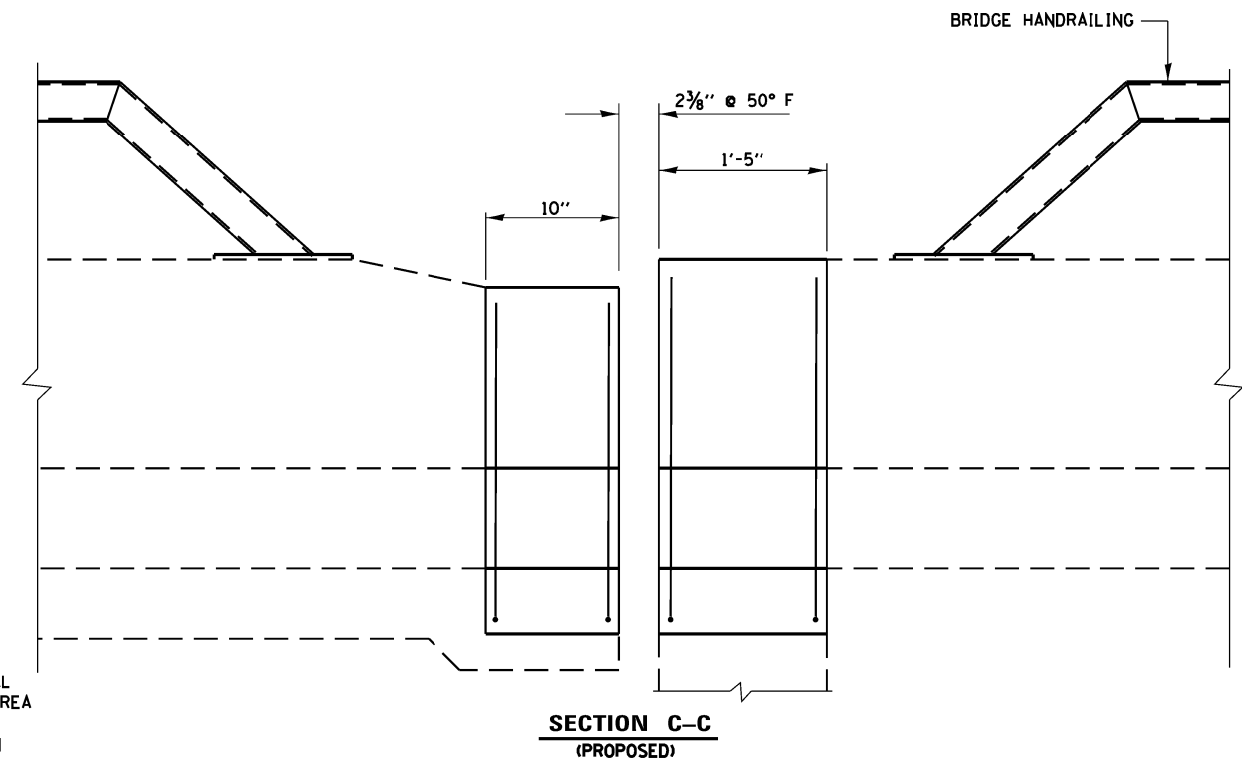


SECTION D-D
(PROPOSED)



SECTION C-C
(EXISTING)

LEGEND:
 HATCHED AREA INDICATES CONCRETE REMOVAL. REINFORCEMENT EXTENDING INTO REMOVED AREA SHALL BE CLEANED, EPOXY COATED AND INCORPORATED INTO THE NEW CONSTRUCTION (COST INCIDENTAL)



SECTION C-C
(PROPOSED)

FILE NAME =	USER NAME = pyrzanowskirb	DESIGNED - MVT	REVISED -
ct:\pwork\pwork\pyrzanowskirb\d030844	ND143112-sht-plan.dgn	DRAWN - MVT	REVISED -
Default	PLOT SCALE = 100.0000' / in.	CHECKED - RTB	REVISED -
	PLOT DATE = 2/11/2014	DATE - 2-10-14	REVISED -

STATE OF ILLINOIS
DEPARTMENT OF TRANSPORTATION

ILL 176 (PARK AVENUE) AT DES PLAINES RIVER
 TRANSVERSE EXPANSION JOINT DETAILS
 S.N. 049-0068
 SCALE: SHEET 3 OF 6 SHEETS STA. TO STA.

F.A.U. RTE.	SECTION	COUNTY	TOTAL SHEETS	SHEET NO.
1238	P-2-1-1 (12)	LAKE	25	6
CONTRACT NO. 60177				
ILLINOIS FED. AID PROJECT				