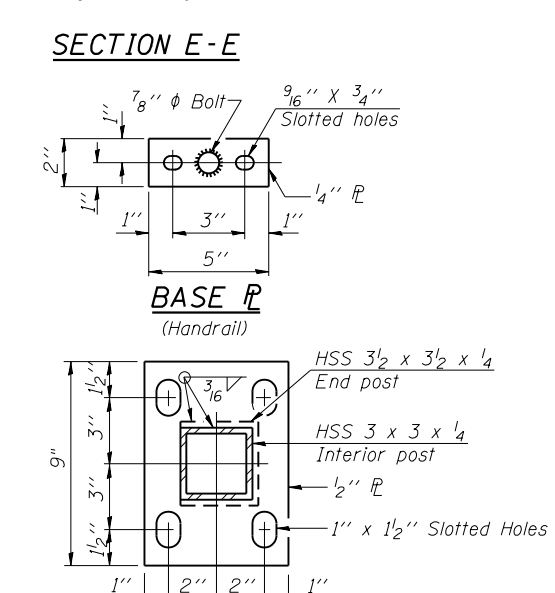
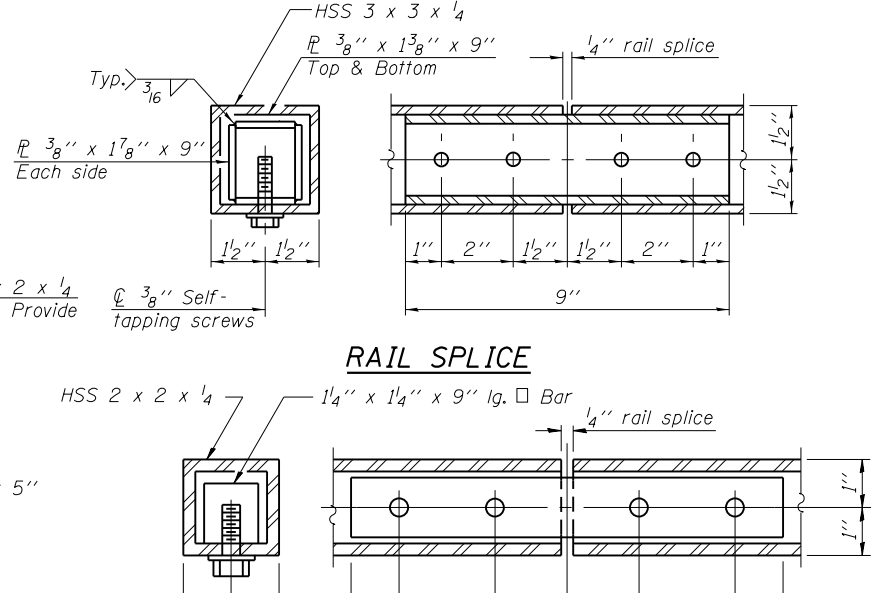
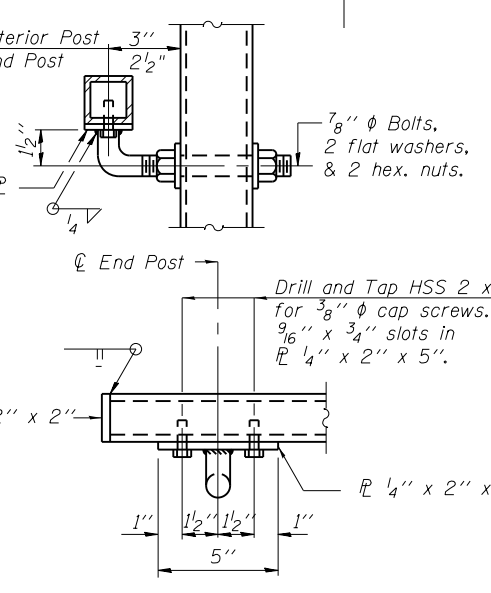
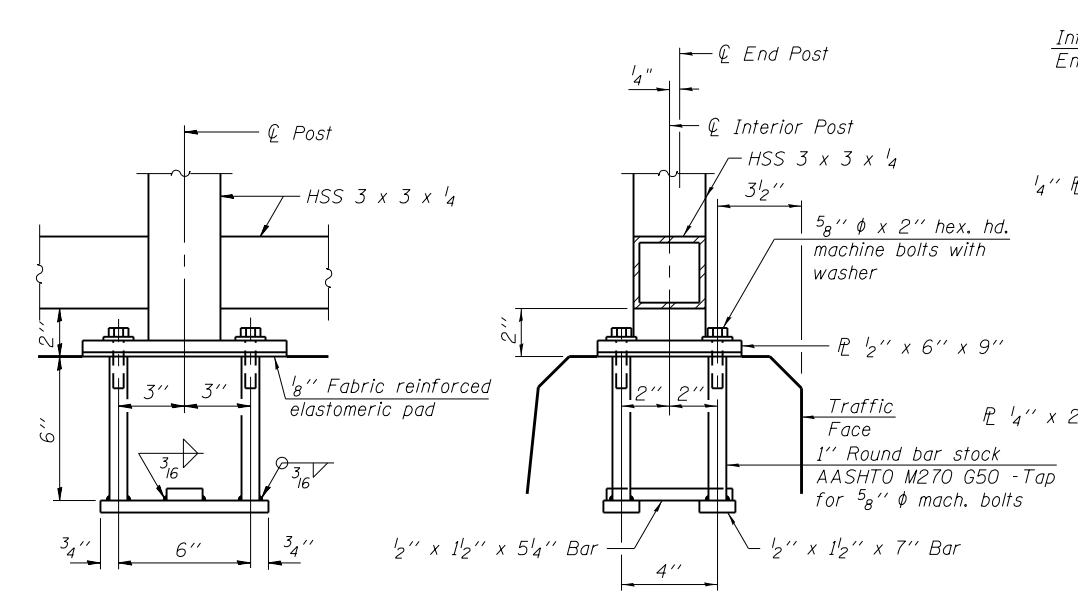
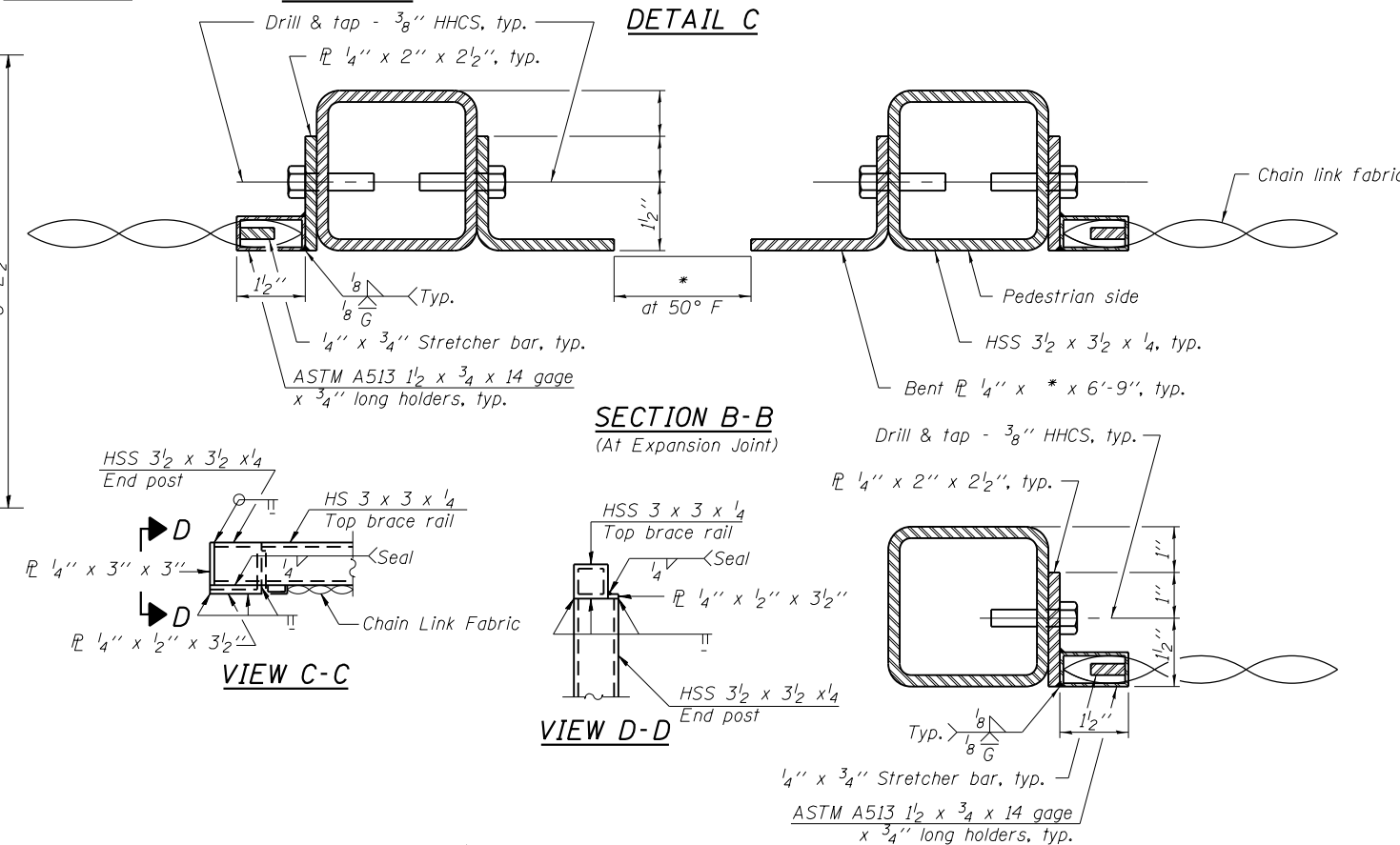
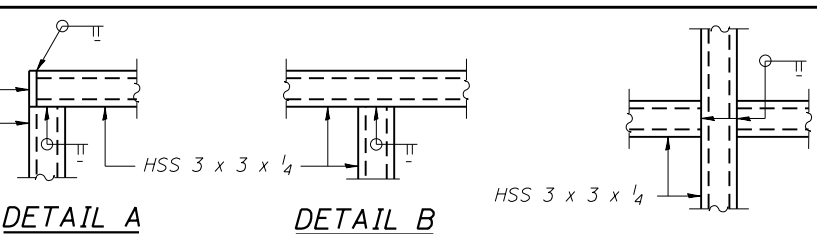
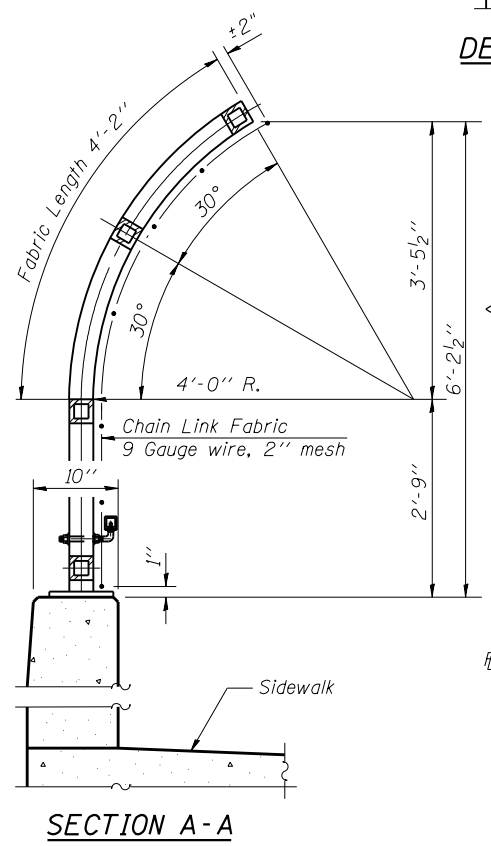
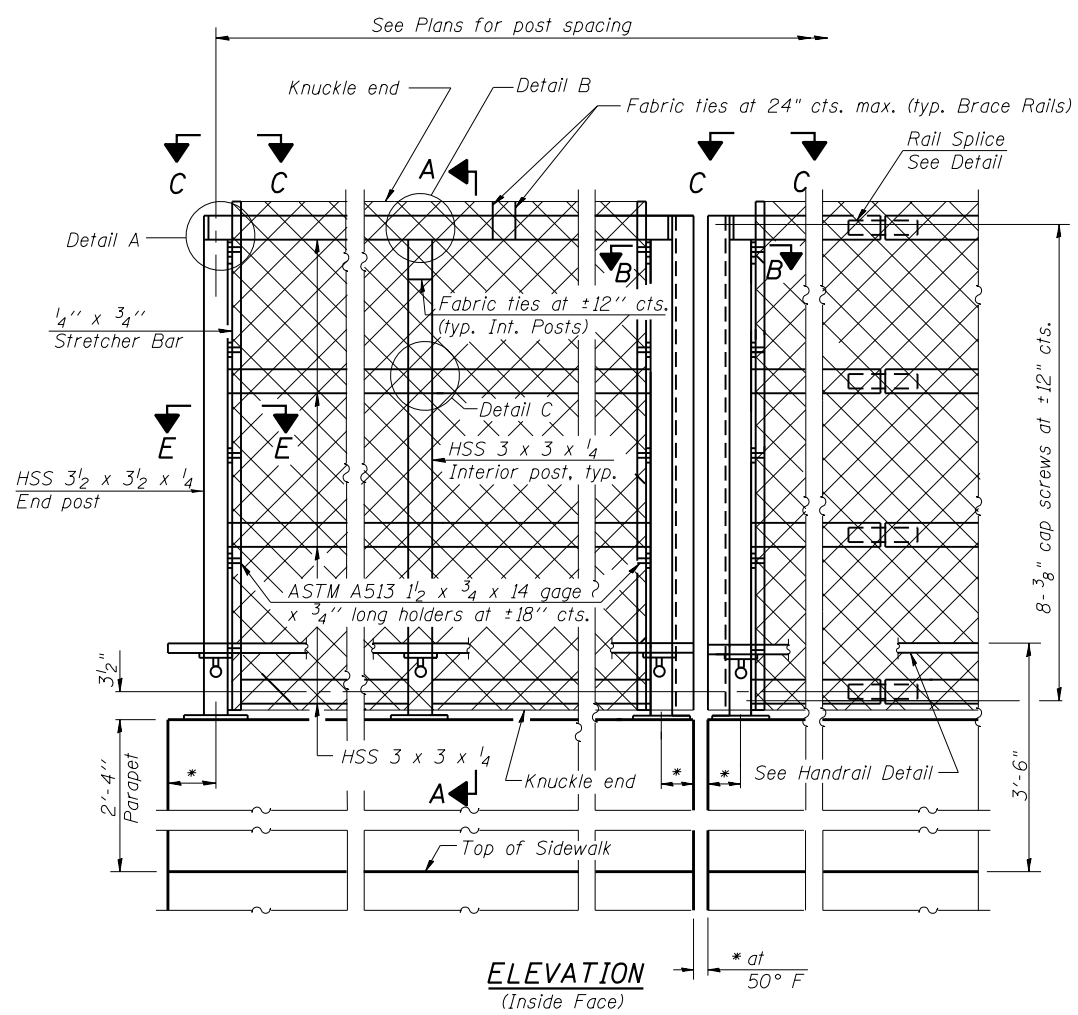


All steel rail elements shall be galvanized according to Article 509.05 of the Standard Specifications.



ANCHOR BOLT DETAILS
 In lieu of the cast-in-place anchor device shown, the Contractor has the option of drilling and setting 5/8" anchor rods according to Article 509.06 of the Standard Specifications. Embedment shall be according to the manufacturer's specifications.

R-32 7-1-10 *Variable - See Plans (10'-0" Maximum Post Spacing)

DESIGNED - RAD (1/21/14)	EXAMINED	DATE -
CHECKED - AM (1/21/14)	ENGINEER OF STRUCTURAL SERVICES	
DRAWN -	PASSED	REVISOR
CHECKED -	ENGINEER OF BRIDGES AND STRUCTURES	REVISION

**STATE OF ILLINOIS
 DEPARTMENT OF TRANSPORTATION**

**BRIDGE FENCE RAILING, PARAPET MOUNTED
 STRUCTURE NO. 022-2002**

SHEET NO. 5 OF 7 SHEETS

F.A.U. R.E.	SECTION	COUNTY	TOTAL SHEETS	SHEET NO.
1453	T-6-23-1-2	DUPAGE	19	8

CONTRACT NO. 60W58
 ILLINOIS FED. AID PROJECT

BILL OF MATERIAL

Item	Unit	Quantity
Bridge Fence Railing	Foot	566