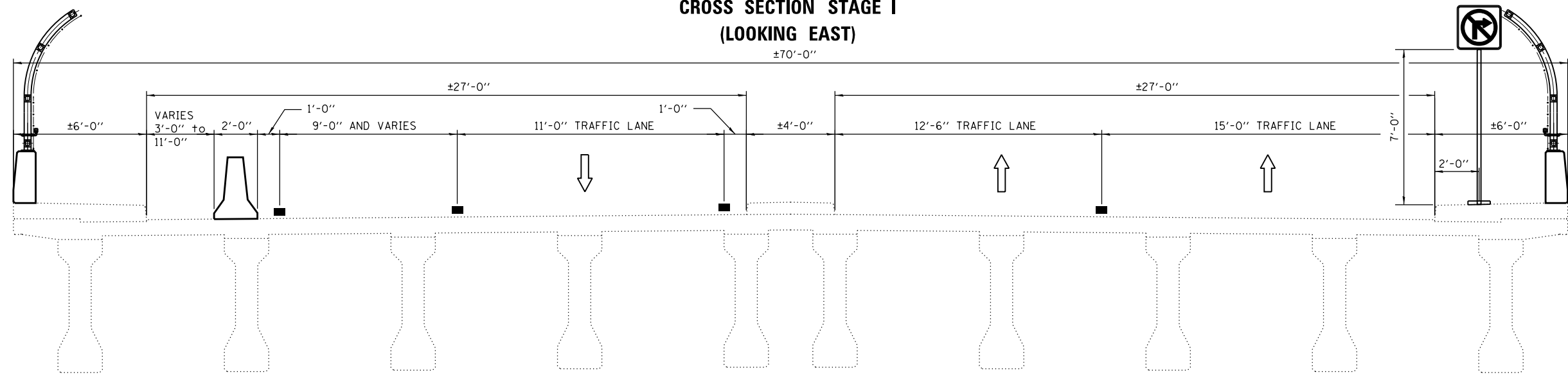


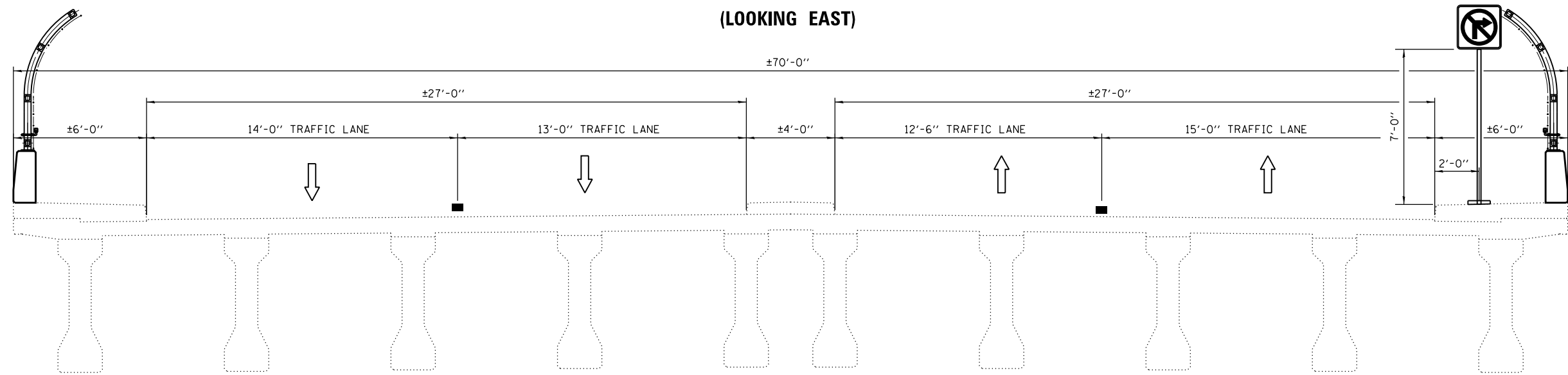
**CROSS SECTION STAGE I
(LOOKING EAST)**

±70'-0"



**CROSS SECTION STAGE II
(LOOKING EAST)**

±70'-0"



CROSS SECTION FINAL

FILE NAME =	USER NAME = hardnettbr	DESIGNED -	REVISED -
ei:\pw\work\p\dot\hardnettbr\d0346961\034113-sh1-plan.dgn		DRAWN -	REVISED -
Default	PLOT SCALE = 100.0000' / in.	CHECKED -	REVISED -
	PLOT DATE = 2/10/2014	DATE -	REVISED -

**STATE OF ILLINOIS
DEPARTMENT OF TRANSPORTATION**

**22ND ST OVER EAST WEST CONNECTOR (I-88 & I-294 RAMPS)
PARAPET REPLACEMENT _ TRAFFIC STAGING**

SCALE: SHEET -- OF -- SHEETS STA. TO STA.

F.A.U RTE.	SECTION	COUNTY	TOTAL SHEETS	SHEET NO.
1453	T-6-23-1-2	DUPAGE	19	15
STRUCTURE 022-2002		CONTRACT NO. 60W58		
ILLINOIS FED. AID PROJECT				