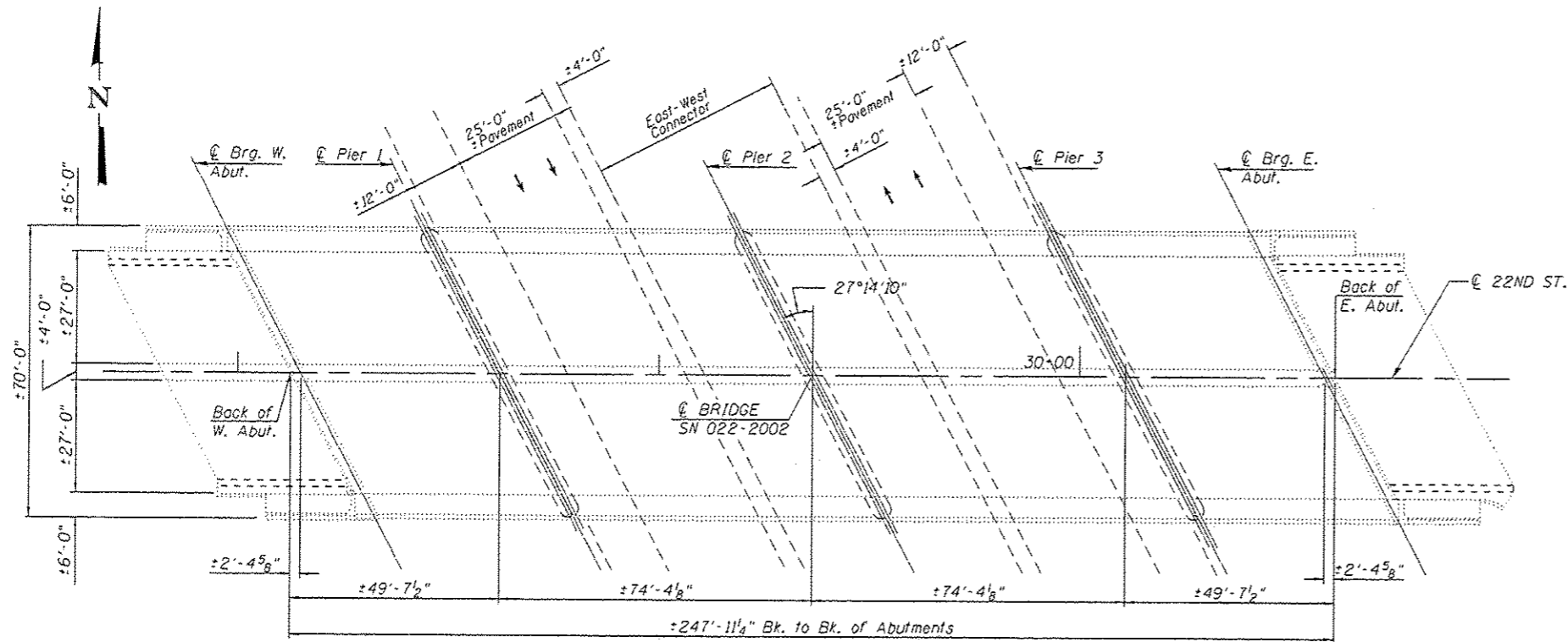
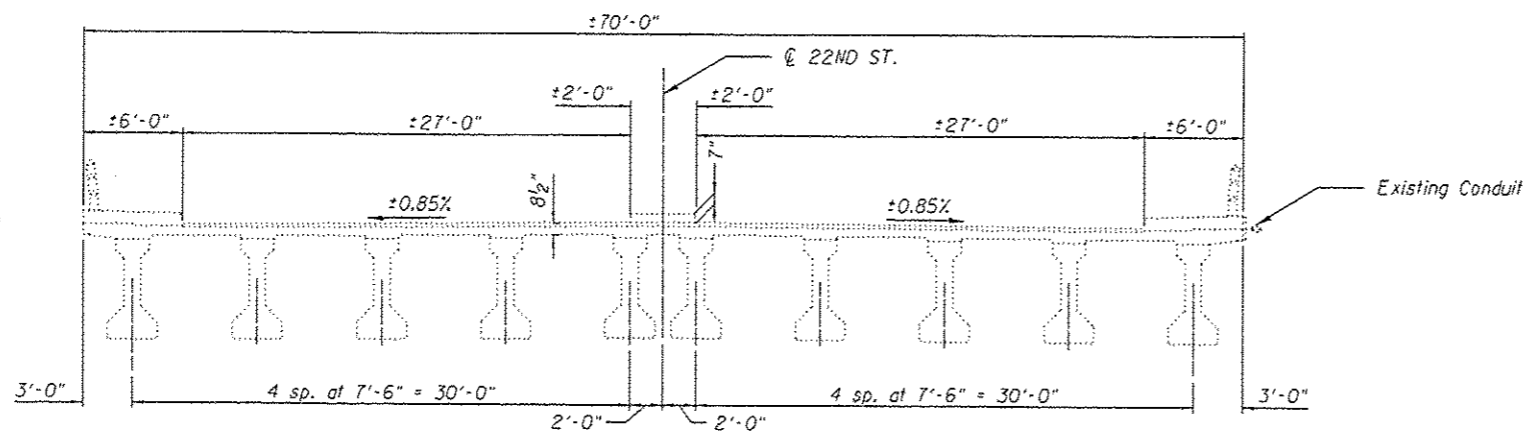


ELEVATION



PLAN



**CROSS SECTION
(LOOKING EAST)**

GENERAL NOTES

Reinforcement bars designated (E) shall be epoxy coated.

Plan dimensions and details relative to existing plans are subject to nominal construction variations. The Contractor shall field verify existing dimensions and details affecting new construction and make necessary approved adjustments prior to construction or ordering of materials. Such variations shall not be cause for additional compensation for a change in scope of the work, however, the Contractor will be paid for the quantity actually furnished based at the unit price bid for the work.

Concrete Superstructure shall have a seven day minimum cure.

Existing reinforcement bars extending into the removal area shall be cleaned, straightened and incorporated into the new construction. Any reinforcement bars that are damaged during concrete removal shall be replaced with an approved bar splicer or anchorage system. Cost included with Concrete Removal.

The Contractor shall use extreme care during concrete removal so as not to damage the PPC I-Beam.

Areas of deck repairs shown are estimated. The Engineer shall show actual locations of deck repairs on As-built Plans.

The deck surface shall have its final finish tined according to Article 420.09(e)(1) of the Standard Specifications. Cost included with Concrete Superstructures.

Joint openings shall be adjusted according to Article 520.04 of the Std. Specs. when the deck is poured at an ambient temperature other than 50°F.

Protective coat shall be applied at top and front face of parapets and at all new joints and repair locations.

TOTAL BILL OF MATERIAL

ITEM	UNIT	TOTAL
Concrete Removal	Cu. Yd.	2.6
Concrete Superstructure	Cu. Yd.	47.4
Protective Coat	Sq. Yd.	208
Reinforcement Bars, Epoxy Coated	Pound	7,580
Bridge Fence Rolling	Foot	566
NEOPRENE EXPANSION JOINT 2"	Foot	37
Structural Repair of Concrete (Depth Equal to or Less than 5 Inches)	Sq. Ft.	240
Deck Slab Repair (Partial)	Sq. Yd.	16

DAVID CARL PUZEY
 081-005470
 SPRINGFIELD ILLINOIS
 STATE OF ILLINOIS
 Expires 11/30/14